



US00D872328S

(12) **United States Design Patent** (10) **Patent No.:** **US D872,328 S**
Kim et al. (45) **Date of Patent:** **** Jan. 7, 2020**

(54) **REAR COMBINATION LAMP FOR AN AUTOMOBILE**
(71) Applicants: **HYUNDAI MOTOR COMPANY**, Seoul (KR); **KIA MOTORS CORPORATION**, Seoul (KR)
(72) Inventors: **Hyeong Seon Kim**, Gunpo-si (KR); **Hong Seok Choi**, Anyang-si (KR); **Ji Hoon Baek**, Seoul (KR); **Jae Min Choi**, Cheongju-si (KR); **Da Young Jeong**, Seongnam-si (KR); **Jung Kyu Yang**, Yongin-si (KR)
(73) Assignees: **Hyundai Motor Company**, Seoul (KR); **Kia Motors Corporation**, Seoul (KR)
(**) Term: **15 Years**
(21) Appl. No.: **35/506,225**
(22) Filed: **Jun. 8, 2018**
(80) **Hague Agreement Data**
Int. Filing Date: **Jun. 8, 2018**
Int. Reg. No.: **DM/101699**
Int. Reg. Date: **Jun. 8, 2018**
Int. Reg. Pub. Date: **Dec. 14, 2018**

(30) **Foreign Application Priority Data**
Dec. 27, 2017 (KR) 30-2017-0061717
(51) **LOC (12) Cl.** **26-06**
(52) **U.S. Cl.**
USPC **D26/28**
(58) **Field of Classification Search**
USPC D12/196; D21/433; D26/28, 35, 36
CPC .. F21S 41/00; F21S 41/20; F21S 41/30; F21S 43/14; F21S 43/15; F21S 43/20
See application file for complete search history.

(56) **References Cited**
U.S. PATENT DOCUMENTS
D680,249 S * 4/2013 Iwai D26/28
D701,983 S * 4/2014 Kong D26/28
D785,835 S * 5/2017 Lee D26/28
D785,836 S * 5/2017 Lee D26/28
D845,524 S * 4/2019 Lee D26/35
D857,955 S * 8/2019 Han D26/28
D857,957 S * 8/2019 Choo D26/28

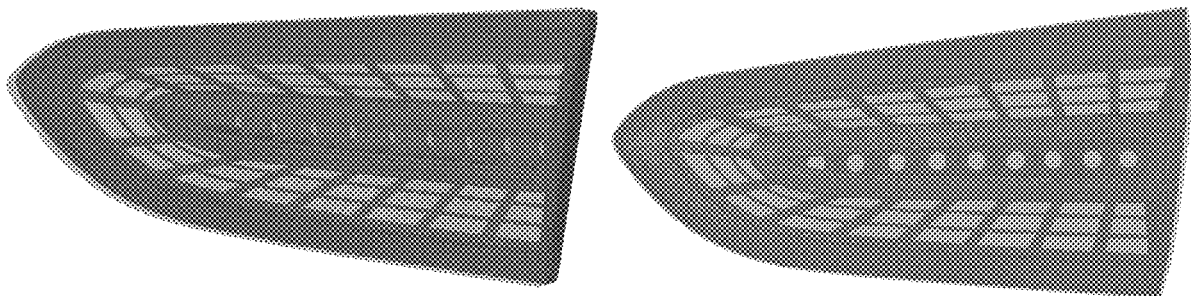
OTHER PUBLICATIONS
Screenshot from Huundai has the best taillights; No, seriously, they are many and stylish by Joel Stocksdale. Dated Apr. 18, 2019. Found online Sep. 10, 2019 at <https://www.autoblog.com/2019/04/18/hyundai-best-taillights-new-york-auto-show/> (Year: 2019).*

* cited by examiner
Primary Examiner — Robert M. Spear
(74) *Attorney, Agent, or Firm* — Mintz Levin Cohn Ferris Glovsky and Popeo, P.C.; Peter F. Corless; Carolina E. Save

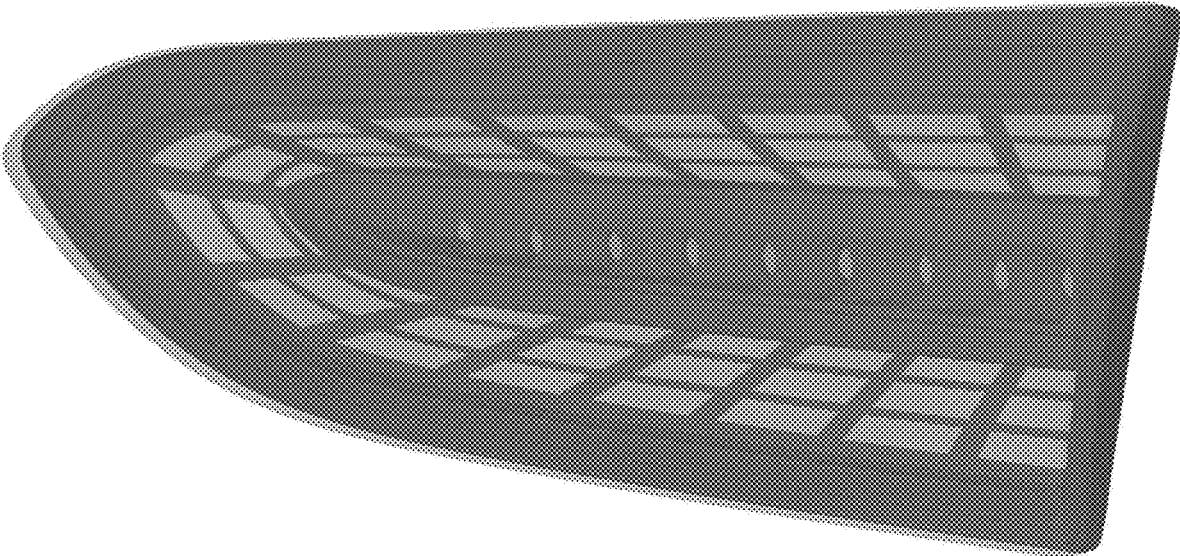
(57) **CLAIM**
The ornamental design for rear combination lamp for an automobile, as shown and described.

DESCRIPTION
1. Rear combination lamp for an automobile
1.1 : Perspective
1.2 : Front
1.3 : Back
1.4 : Left
1.5 : Right
1.6 : Top
1.7 : Bottom

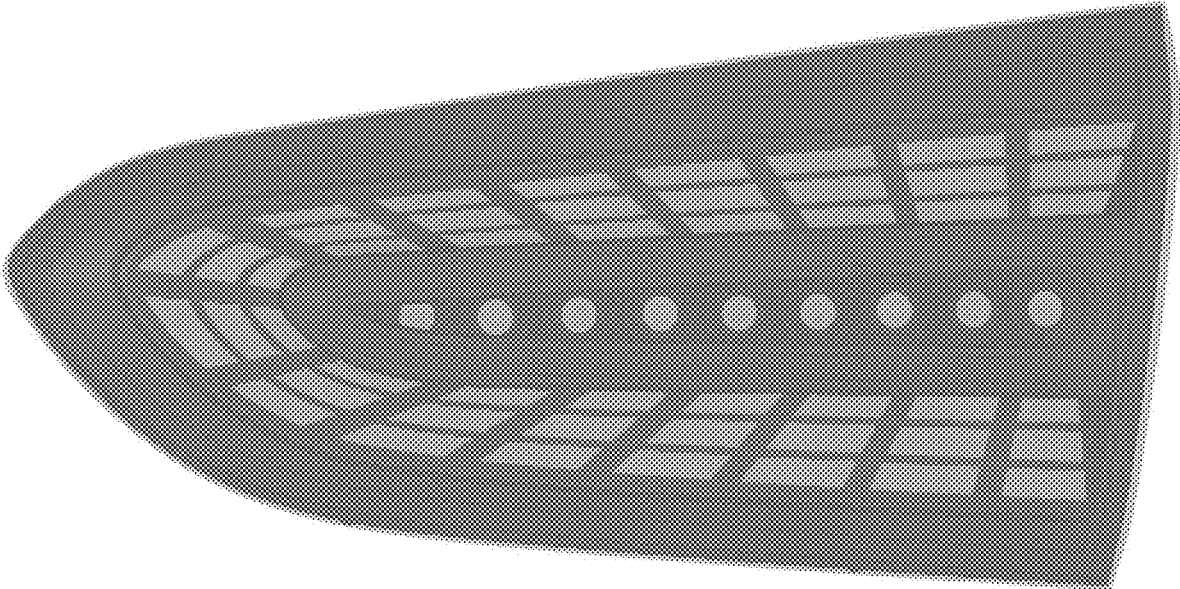
1 Claim, 7 Drawing Sheets



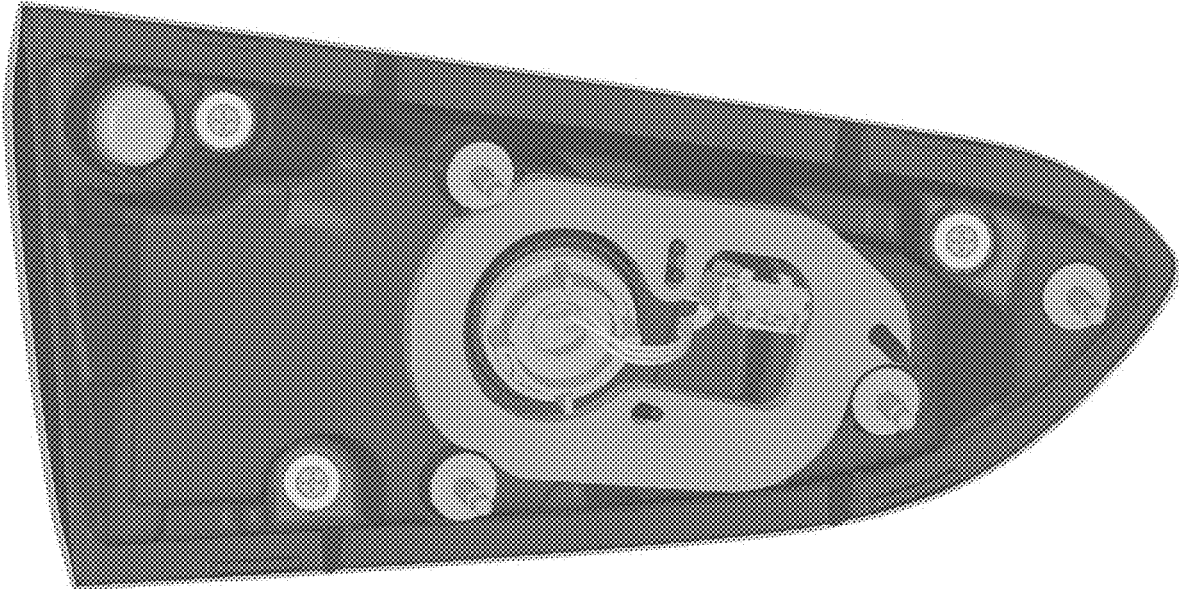
1.1



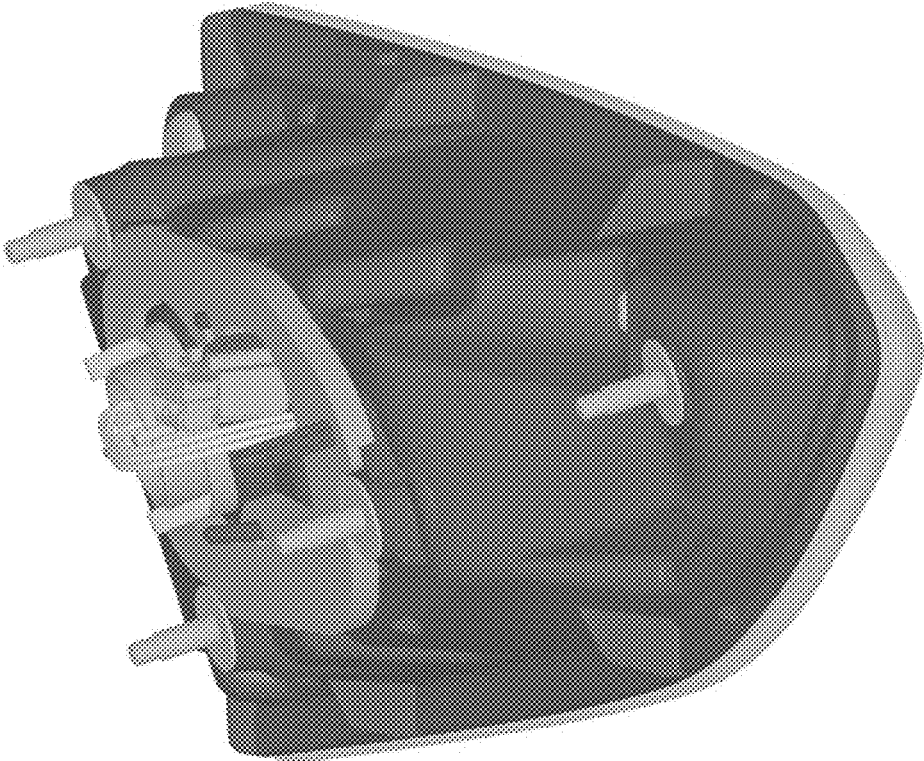
1.2



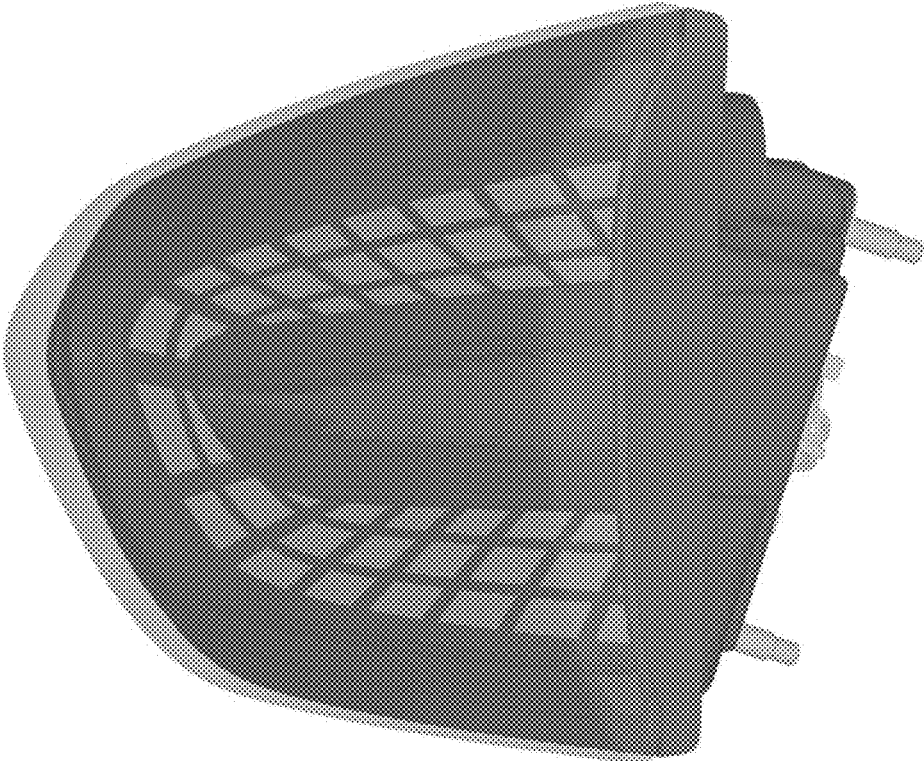
1.3



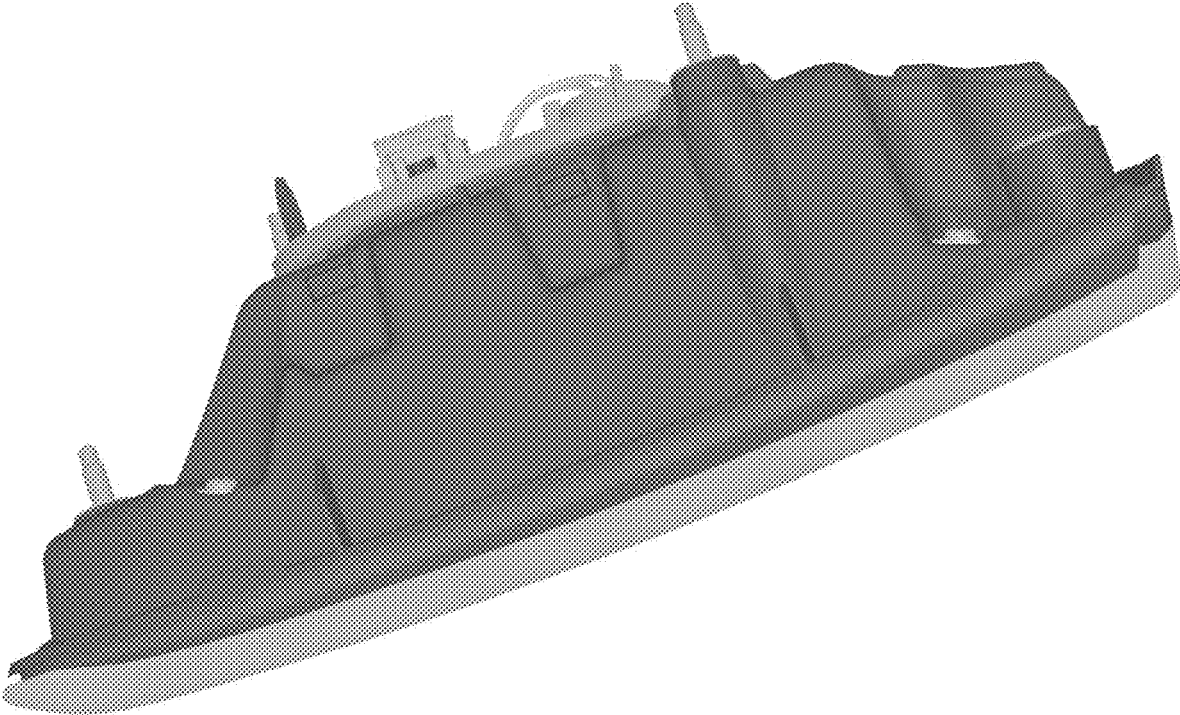
1.4



1.5



1.6



1.7

