



- (51) International Patent Classification:
A61M 16/10 (2006.01)
- (21) International Application Number:
PCT/US2014/066562
- (22) International Filing Date:
20 November 2014 (20.11.2014)
- (25) Filing Language: English
- (26) Publication Language: English
- (30) Priority Data:
61/906,624 20 November 2013 (20.11.2013) US
- (71) Applicant: CHART INC. [US/US]; 2200 Airport Industrial Drive, Suite 500, Ball Ground, GA 30107 (US).
- (72) Inventor: SIMS, Matthew; 2200 Airport Industrial Drive, Suite 500, Ball Ground, GA 30107 (US).
- (74) Agents: HERNANDEZ, Fred, C. et al.; Mintz Levin Cohn Ferris Glovsky and Popeo, P.C., 3580 Carmel Mountain Road, Suite 300, San Diego, CA 92130-6768 (US).
- (81) Designated States (unless otherwise indicated, for every kind of national protection available): AE, AG, AL, AM,

AO, AT, AU, AZ, BA, BB, BG, BH, BN, BR, BW, BY, BZ, CA, CH, CL, CN, CO, CR, CU, CZ, DE, DK, DM, DO, DZ, EC, EE, EG, ES, FI, GB, GD, GE, GH, GM, GT, HN, HR, HU, ID, IL, IN, IR, IS, JP, KE, KG, KN, KP, KR, KZ, LA, LC, LK, LR, LS, LU, LY, MA, MD, ME, MG, MK, MN, MW, MX, MY, MZ, NA, NG, NI, NO, NZ, OM, PA, PE, PG, PH, PL, PT, QA, RO, RS, RU, RW, SA, SC, SD, SE, SG, SK, SL, SM, ST, SV, SY, TH, TJ, TM, TN, TR, TT, TZ, UA, UG, US, UZ, VC, VN, ZA, ZM, ZW.

- (84) Designated States (unless otherwise indicated, for every kind of regional protection available): ARIPO (BW, GH, GM, KE, LR, LS, MW, MZ, NA, RW, SD, SL, ST, SZ, TZ, UG, ZM, ZW), Eurasian (AM, AZ, BY, KG, KZ, RU, TJ, TM), European (AL, AT, BE, BG, CH, CY, CZ, DE, DK, EE, ES, FI, FR, GB, GR, HR, HU, IE, IS, IT, LT, LU, LV, MC, MK, MT, NL, NO, PL, PT, RO, RS, SE, SI, SK, SM, TR), OAPI (BF, BJ, CF, CG, CI, CM, GA, GN, GQ, GW, KM, ML, MR, NE, SN, TD, TG).

Published:

— with international search report (Art. 21(3))

- (88) Date of publication of the international search report:
23 December 2015

(54) Title: DUAL EXPANSION CHAMBER WITH INTERNAL CONNECTING TUBE FOR USE WITH AN OXYGEN CONCENTRATOR

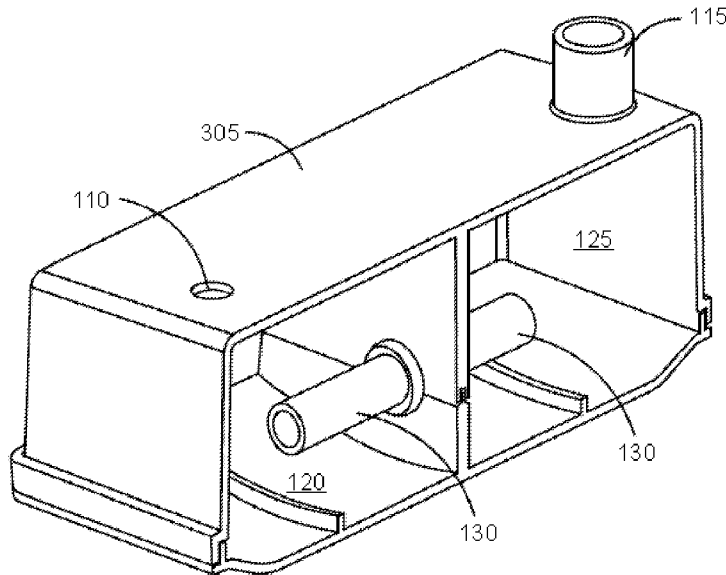


Fig. 4

(57) Abstract: A device combines a muffler and a filter such as for use with an air compressor. The device utilizes dual expansion chambers with an internal connecting tube to filter the air entering an air intake port of an air compressor or oxygen concentrator. The device attenuates sound that emanates from airflow through the chambers

WO 2015/077423 A3

INTERNATIONAL SEARCH REPORT

International application No.
PCT/US2014/066562

<p>A. CLASSIFICATION OF SUBJECT MATTER IPC(8) - A61M 16/10 (2015.01) CPC - A61M 16/101 (2015.01) According to International Patent Classification (IPC) or to both national classification and IPC</p>																	
<p>B. FIELDS SEARCHED</p> <p>Minimum documentation searched (classification system followed by classification symbols) IPC(8) - A61M 16/00, 16/10, 16/20 (2015.01) CPC - A61M 16/101; B01D 2259/4533, 2259/402 (2015.01)</p> <p>Documentation searched other than minimum documentation to the extent that such documents are included in the fields searched USPC - 96/121; 128/204.18, 205.12 (keyword delimited)</p> <p>Electronic data base consulted during the international search (name of data base and, where practicable, search terms used) PatBase, Google Patents, Google Scholar Search terms used: expansion chamber oxygen concentrator, dual chamber muffler filter</p>																	
<p>C. DOCUMENTS CONSIDERED TO BE RELEVANT</p> <table border="1" style="width:100%; border-collapse: collapse;"> <thead> <tr> <th style="width:10%;">Category*</th> <th style="width:70%;">Citation of document, with indication, where appropriate, of the relevant passages</th> <th style="width:20%;">Relevant to claim No.</th> </tr> </thead> <tbody> <tr> <td>X</td> <td>US 2009/0025564 A1 (KUWABARA) 29 January 2009 (29.01.2009) entire document</td> <td>1-13</td> </tr> <tr> <td>A</td> <td>US 2012/0055340 A1 (WILKINSON et al) 08 March 2012 (08.03.2012) entire document</td> <td>1-13</td> </tr> <tr> <td>A</td> <td>US 2003/0172931 A1 (KERECHANIN II et al) 18 September 2003 (18.09.2003) entire document</td> <td>1-13</td> </tr> <tr> <td>A</td> <td>US 2004/0000310 A1 (WICKHAM et al) 01 January 2004 (01.01.2004) entire document</td> <td>1-13</td> </tr> </tbody> </table>			Category*	Citation of document, with indication, where appropriate, of the relevant passages	Relevant to claim No.	X	US 2009/0025564 A1 (KUWABARA) 29 January 2009 (29.01.2009) entire document	1-13	A	US 2012/0055340 A1 (WILKINSON et al) 08 March 2012 (08.03.2012) entire document	1-13	A	US 2003/0172931 A1 (KERECHANIN II et al) 18 September 2003 (18.09.2003) entire document	1-13	A	US 2004/0000310 A1 (WICKHAM et al) 01 January 2004 (01.01.2004) entire document	1-13
Category*	Citation of document, with indication, where appropriate, of the relevant passages	Relevant to claim No.															
X	US 2009/0025564 A1 (KUWABARA) 29 January 2009 (29.01.2009) entire document	1-13															
A	US 2012/0055340 A1 (WILKINSON et al) 08 March 2012 (08.03.2012) entire document	1-13															
A	US 2003/0172931 A1 (KERECHANIN II et al) 18 September 2003 (18.09.2003) entire document	1-13															
A	US 2004/0000310 A1 (WICKHAM et al) 01 January 2004 (01.01.2004) entire document	1-13															
<p><input type="checkbox"/> Further documents are listed in the continuation of Box C. <input type="checkbox"/></p>																	
<p>* Special categories of cited documents:</p> <table style="width:100%;"> <tr> <td style="width:50%;"> <p>"A" document defining the general state of the art which is not considered to be of particular relevance</p> <p>"E" earlier application or patent but published on or after the international filing date</p> <p>"L" document which may throw doubts on priority claim(s) or which is cited to establish the publication date of another citation or other special reason (as specified)</p> <p>"O" document referring to an oral disclosure, use, exhibition or other means</p> <p>"P" document published prior to the international filing date but later than the priority date claimed</p> </td> <td style="width:50%;"> <p>"T" later document published after the international filing date or priority date and not in conflict with the application but cited to understand the principle or theory underlying the invention</p> <p>"X" document of particular relevance; the claimed invention cannot be considered novel or cannot be considered to involve an inventive step when the document is taken alone</p> <p>"Y" document of particular relevance; the claimed invention cannot be considered to involve an inventive step when the document is combined with one or more other such documents, such combination being obvious to a person skilled in the art</p> <p>"&" document member of the same patent family</p> </td> </tr> </table>			<p>"A" document defining the general state of the art which is not considered to be of particular relevance</p> <p>"E" earlier application or patent but published on or after the international filing date</p> <p>"L" document which may throw doubts on priority claim(s) or which is cited to establish the publication date of another citation or other special reason (as specified)</p> <p>"O" document referring to an oral disclosure, use, exhibition or other means</p> <p>"P" document published prior to the international filing date but later than the priority date claimed</p>	<p>"T" later document published after the international filing date or priority date and not in conflict with the application but cited to understand the principle or theory underlying the invention</p> <p>"X" document of particular relevance; the claimed invention cannot be considered novel or cannot be considered to involve an inventive step when the document is taken alone</p> <p>"Y" document of particular relevance; the claimed invention cannot be considered to involve an inventive step when the document is combined with one or more other such documents, such combination being obvious to a person skilled in the art</p> <p>"&" document member of the same patent family</p>													
<p>"A" document defining the general state of the art which is not considered to be of particular relevance</p> <p>"E" earlier application or patent but published on or after the international filing date</p> <p>"L" document which may throw doubts on priority claim(s) or which is cited to establish the publication date of another citation or other special reason (as specified)</p> <p>"O" document referring to an oral disclosure, use, exhibition or other means</p> <p>"P" document published prior to the international filing date but later than the priority date claimed</p>	<p>"T" later document published after the international filing date or priority date and not in conflict with the application but cited to understand the principle or theory underlying the invention</p> <p>"X" document of particular relevance; the claimed invention cannot be considered novel or cannot be considered to involve an inventive step when the document is taken alone</p> <p>"Y" document of particular relevance; the claimed invention cannot be considered to involve an inventive step when the document is combined with one or more other such documents, such combination being obvious to a person skilled in the art</p> <p>"&" document member of the same patent family</p>																
<p>Date of the actual completion of the international search</p> <p>28 January 2015</p>		<p>Date of mailing of the international search report</p> <p align="center">19 FEB 2015</p>															
<p>Name and mailing address of the ISA/US</p> <p>Mail Stop PCT, Attn: ISA/US, Commissioner for Patents P.O. Box 1450, Alexandria, Virginia 22313-1450 Facsimile No. 571-273-3201</p>		<p>Authorized officer:</p> <p align="center">Blaine R. Copenheaver</p> <p>PCT Helpdesk: 571-272-4300 PCT OSP: 571-272-7774</p>															