



US00D926577S

(12) **United States Design Patent**
Woolery

(10) **Patent No.:** **US D926,577 S**

(45) **Date of Patent:** **** Aug. 3, 2021**

- (54) **TAMPER-RESISTANT LID ASSEMBLY**
- (71) Applicant: **Verdant Ventures**, Cincinnati, OH (US)
- (72) Inventor: **Benjamin Woolery**, Loveland, OH (US)
- (73) Assignee: **Verdant Ventures**
- (**) Term: **15 Years**
- (21) Appl. No.: **29/706,695**

Primary Examiner — Catherine S Posthauer
(74) *Attorney, Agent, or Firm* — Dinsmore & Shohl, LLP

(57) **CLAIM**

The ornamental design for a tamper-resistant lid assembly, as shown and described.

DESCRIPTION

- (22) Filed: **Sep. 23, 2019**
- (51) **LOC (13) Cl.** **09-07**
- (52) **U.S. Cl.**
USPC **D9/454**
- (58) **Field of Classification Search**
USPC D3/202; D7/300, 300.1, 387, 391, 392, D7/392.1, 393, 394, 396.1, 396.2, 401.1, D7/509, 510, 511, 533, 536, 543, 589, D7/591, 601, 602, 619.1; D9/434, 435, D9/436, 438, 439, 440, 441, 443, 445, D9/447, 448, 449, 454, 516, 520, 530, D9/531, 686, 730, 733; D23/227, 249, D23/259, 260
CPC B65D 2251/1066; B65D 2251/1058; B65D 47/0819; B65D 1/00; B65D 1/02; B65D 1/0223; B65D 2203/00; B65D 2203/02;
(Continued)

FIG. 1 is an upper perspective view of a tamper-resistant lid assembly according to the present design, the tamper resistant lid assembly presently shown in an assembled state between a cap portion and an attachment ring portion;
 FIG. 2 is a lower perspective view of the tamper-resistant lid assembly of FIG. 1;
 FIG. 3 is a first elevation view of the tamper-resistant lid assembly of FIG. 1;
 FIG. 4 is a second elevation view of the tamper-resistant lid assembly of FIG. 1;
 FIG. 5 is a third elevation view of the tamper-resistant lid assembly of FIG. 1;
 FIG. 6 is a fourth elevation view of the tamper-resistant lid assembly of FIG. 1;
 FIG. 7 is a top plan view of the tamper-resistant lid assembly of FIG. 1;
 FIG. 8 is a bottom plan view of the tamper-resistant lid assembly of FIG. 1;
 FIG. 9 is an upper perspective view of the tamper-resistant lid assembly according to FIG. 1, the tamper-resistant lid assembly presently shown in a disassembled state between the cap portion and the attachment ring portion;
 FIG. 10 is a lower perspective view of the tamper-resistant lid assembly of FIG. 9; and,
 FIG. 11 is a bottom view of the cap portion of the tamper-resistant lid assembly of FIG. 9, shown separately to depict aspects of the present design not visible when combined.

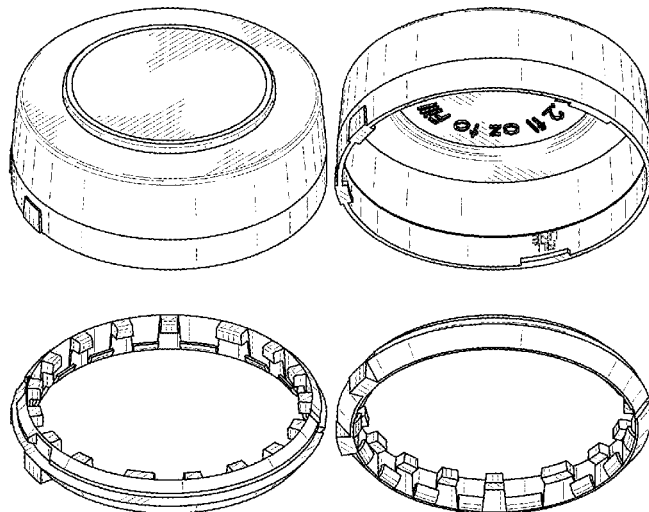
- (56) **References Cited**
U.S. PATENT DOCUMENTS

2,052,551 A 9/1936 Browne
3,450,290 A 6/1969 Turner
(Continued)

- FOREIGN PATENT DOCUMENTS**

AU 41044 8/1976
BR PI1104537 A2 8/2013
(Continued)

1 Claim, 11 Drawing Sheets



(58) **Field of Classification Search**

CPC B65D 81/60; B65D 81/365; B65D 81/366;
 B65D 81/368; B65D 2539/008; B65D
 39/0094; B65D 2543/00046; B65D
 2543/00027; B65D 2543/00092; B65D
 2543/00296; B65D 2543/00351; B65D
 2543/00537; B65D 2543/00731; B65D
 43/0212; B65D 43/0218; B65D 43/0256;
 B65D 51/28; A01G 31/02; B02C 18/16;
 B02C 18/18; B02C 18/24; A47J 42/08;
 A47J 42/38; A47J 42/04; A47J 42/46;
 A47J 42/16; A47J 42/14; A47J 42/34;
 A47J 42/40; A47J 42/25; A47J 42/255

See application file for complete search history.

(56) **References Cited**

U.S. PATENT DOCUMENTS

3,779,412 A 12/1973 Kirton
 D270,521 S 9/1983 Morris
 4,512,485 A 4/1985 Agbay et al.
 D279,267 S 6/1985 Morris
 D304,424 S 11/1989 Dawson
 D305,735 S 1/1990 Zinnbauer
 D311,140 S 10/1990 Nelson
 D312,044 S 11/1990 Davis
 D318,804 S 8/1991 Ochs
 5,224,615 A 7/1993 Hickerson
 D350,068 S 8/1994 Schwartzburg
 D359,903 S 7/1995 Arshinoff et al.
 D362,185 S 9/1995 Ramsey
 D365,519 S 12/1995 Welch et al.
 D370,845 S 6/1996 Sherman et al.
 D377,758 S 2/1997 Valley
 5,727,704 A 3/1998 Glynn
 D397,031 S 8/1998 Fricke
 D398,241 S 9/1998 Krebs
 D399,743 S 10/1998 Coon et al.
 D404,303 S 1/1999 Webster
 D405,371 S 2/1999 Herr
 D419,447 S 1/2000 Molloy
 D421,909 S 3/2000 Opresco
 D427,528 S 7/2000 Krueger
 D431,864 S 10/2000 Jansen
 D462,269 S 9/2002 Hunter et al.
 D476,563 S 7/2003 Brozell et al.
 D481,948 S 11/2003 Brozell et al.
 D495,256 S 8/2004 Solowiejko
 D508,203 S 8/2005 Ziegenhorn et al.
 D508,204 S 8/2005 Pitman et al.
 D508,402 S 8/2005 Hierzer et al.
 D508,853 S 8/2005 Ziegenhorn et al.
 D542,132 S * 5/2007 Pugne D9/449
 D561,587 S 2/2008 Lin
 D599,203 S 9/2009 Wilson et al.
 D604,159 S * 11/2009 Pugne D9/449
 D604,161 S 11/2009 Wilson et al.
 D607,326 S 1/2010 Branson et al.
 D607,726 S * 1/2010 Wisniewski D9/449
 D609,092 S * 2/2010 Laib D9/449
 D609,568 S * 2/2010 Mazurkiewicz D9/449
 D617,188 S 6/2010 Sturk
 D631,347 S * 1/2011 Rudolph D9/446
 D640,556 S * 6/2011 Bragg D9/449
 D642,918 S 8/2011 Taylor
 D642,919 S 8/2011 Taylor
 D646,971 S 10/2011 Chmela
 D661,945 S * 6/2012 Eyal D7/392.1
 D681,464 S 5/2013 Taylor
 8,453,873 B2 6/2013 Zielinski et al.
 D687,709 S 8/2013 Taylor
 D702,551 S * 4/2014 Wisniewski D9/449
 D711,225 S 8/2014 Lund
 8,863,947 B2 10/2014 Sibley
 D727,726 S 4/2015 Friedman

D730,729 S * 6/2015 George D9/435
 D732,975 S 6/2015 Hua
 D748,942 S * 2/2016 Boroski D7/391
 9,504,341 B2 11/2016 Suprina
 D781,705 S 3/2017 Hewitt
 D794,453 S * 8/2017 Boroski D9/449
 9,718,590 B2 8/2017 Dejonge
 D800,276 S 10/2017 Taylor et al.
 9,878,821 B2 1/2018 Sibley
 D809,388 S * 2/2018 Tran D9/449
 10,011,405 B2 7/2018 DeJonge
 D826,066 S 8/2018 Creighton
 D834,413 S * 11/2018 Tran D9/449
 D836,387 S * 12/2018 Silsby D7/392.1
 D838,592 S * 1/2019 Henderson D9/449
 D841,153 S 2/2019 Kokubo
 D847,628 S 5/2019 Ludewig
 D863,962 S * 10/2019 Bakic D9/449
 D867,814 S * 11/2019 Bodum D7/392.1
 D885,829 S * 6/2020 Bodum D7/392.1
 D890,564 S * 7/2020 Hao D7/392.1
 2005/0087550 A1 * 4/2005 Skillin B65D 47/0828
 222/153.01
 2005/0279781 A1 * 12/2005 Pugne B65D 47/0804
 222/556
 2006/0213912 A1 9/2006 Zaytoun
 2007/0205177 A1 * 9/2007 Delage B65D 47/0814
 215/305
 2008/0023477 A1 * 1/2008 Markert B65D 47/0814
 220/259.1
 2009/0159552 A1 * 6/2009 Cano-Pey B65D 47/0828
 215/235
 2012/0305571 A1 * 12/2012 Larsen B65D 81/3886
 220/592.17
 2013/0175234 A1 * 7/2013 Mackenzie B65D 51/00
 215/289
 2013/0175271 A1 * 7/2013 Lim B65D 47/0828
 220/254.5
 2017/0355495 A1 12/2017 Martin et al.

FOREIGN PATENT DOCUMENTS

CA 179904 A 2/1917
 CD 62018 11/1988
 CD 173662 2/2018
 CD 172774 6/2018
 CD 130740 2/2020
 FR 893537-005 5/1989
 GB 2048852 A 12/1980
 GB 2054356 A 2/1981
 GB 2102707 A 2/1983
 GB 2103514 A 2/1983
 GB 4042698 8/2015
 IN 222882 A1 8/2008
 IN 222883 A1 8/2008
 IN 223480 A1 11/2008
 IN 269655 A1 10/2015
 IN 270188 A1 11/2015
 IN 290374 A1 12/2017
 IN 293459 A1 3/2018
 IN 299515 A1 8/2018
 IN 302687 A1 11/2018
 JP 1602283 1/2017
 MY 99-00016-0101 9/1999
 NZ 19274 7/1984
 NZ 21330 7/1987
 NZ 24730 9/1992
 NZ 25273 6/1993
 NZ 26693 5/1995
 NZ 27410 2/1996
 NZ 27648 6/1996
 NZ 28397 4/1997
 NZ 28848 9/1997
 NZ 29292 7/1998
 NZ 29491 7/1998
 NZ 29509 7/1998
 NZ 29559 8/1998
 NZ 29560 8/1998

(56)

References Cited

FOREIGN PATENT DOCUMENTS

NZ	30567	9/1999
NZ	403308	2/2003
NZ	403950 A	9/2003
NZ	406088	4/2005
NZ	407717	6/2006
NZ	419611	12/2014
NZ	422630	1/2017
NZ	423341	8/2017
NZ	423342	8/2017
PH	700000000005759-1	4/1992
PH	700000000007017-1	3/1995
PH	700000000007657-1	10/1995
PH	702002000000671-1	11/2002
PH	702003000000824-1	2/2003
PH	702004000000806-1	11/2004
PH	702005000001231-1	12/2005
PH	702007000000866	12/2007
PH	702009000000051-1	2/2009
PH	702009000000358-1	6/2009
PH	702009000000746-1	12/2009
PH	702011000000621-1	7/2011
PH	702012000001218-1	12/2012
PH	702012000001219-1	12/2012
PH	702013000000549-1	5/2013
PH	3-2018-50009	1/2018
SE	1056080	1/1989
WO	9204249 A1	3/1992
WO	9916678 A1	4/1999

* cited by examiner

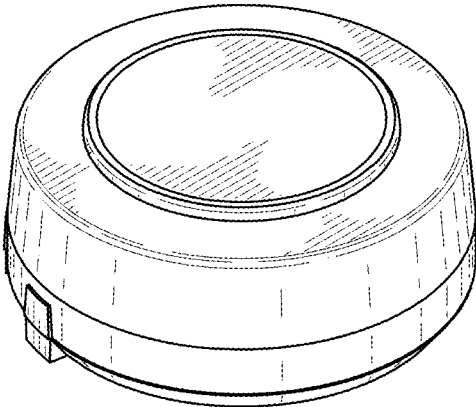


FIG. 1

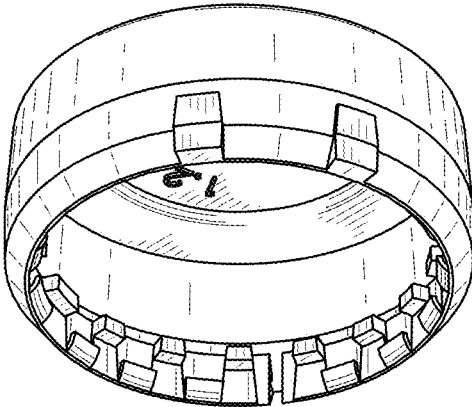


FIG. 2

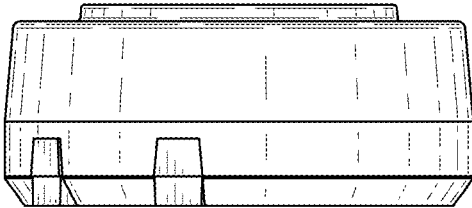


FIG. 3

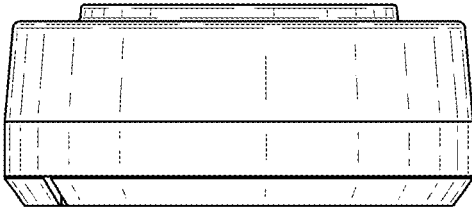


FIG. 4

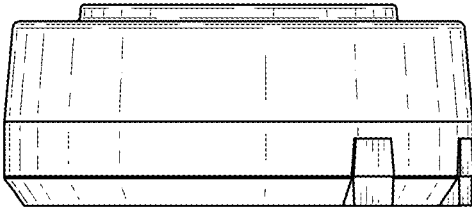


FIG. 5

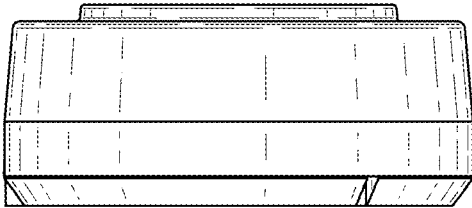


FIG. 6

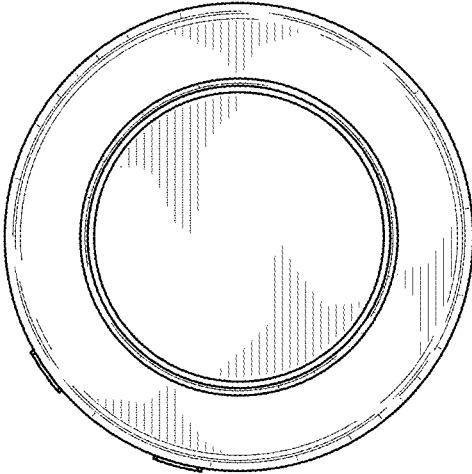


FIG. 7

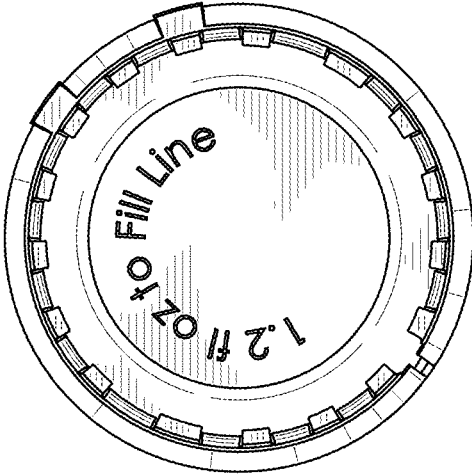


FIG. 8

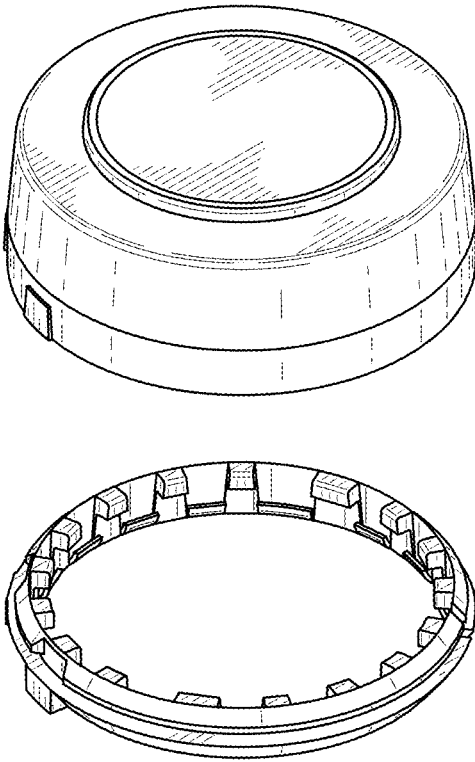


FIG. 9

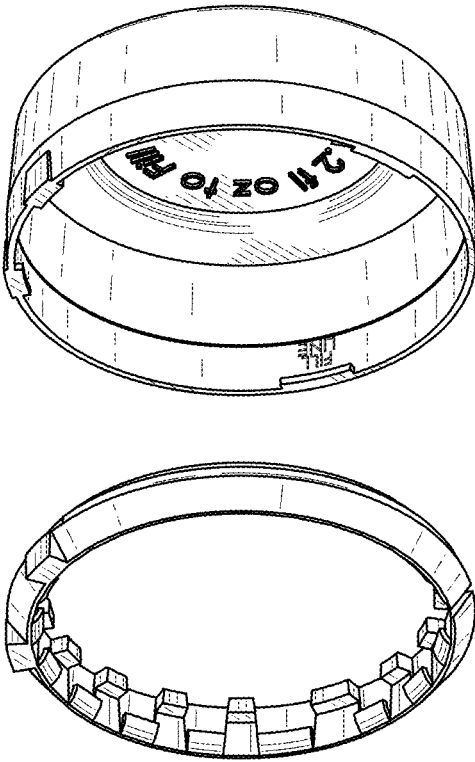


FIG. 10

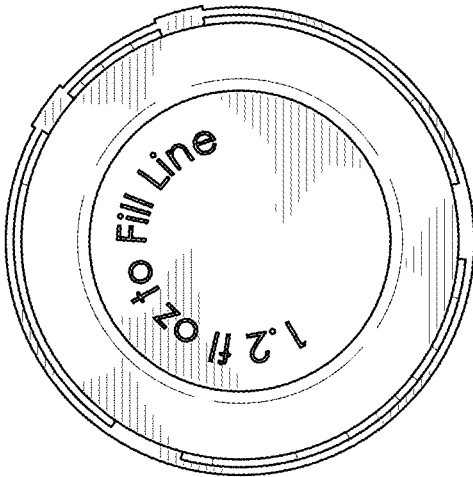


FIG. 11