



US00D982645S

(12) **United States Design Patent**
Li

(10) **Patent No.:** **US D982,645 S**

(45) **Date of Patent:** **** Apr. 4, 2023**

(54) **DUAL CAMERA**
(71) Applicant: **AVerMedia TECHNOLOGIES, INC.**,
New Taipei (TW)

D865,026 S * 10/2019 Siminoff D16/203
D867,419 S * 11/2019 Liu D16/202
D867,422 S * 11/2019 Song D16/202
D894,250 S * 8/2020 Hur D16/202
D896,295 S * 9/2020 Lee D16/202
D943,655 S * 2/2022 Ogishita D16/202

(Continued)

(72) Inventor: **Tung-Han Li**, New Taipei (TW)
(73) Assignee: **AVerMedia TECHNOLOGIES, INC.**,
New Taipei (TW)

FOREIGN PATENT DOCUMENTS

(**) Term: **15 Years**

CN 306894167 * 10/2021

(21) Appl. No.: **29/788,836**

OTHER PUBLICATIONS

(22) Filed: **Aug. 3, 2021**

“AVerMedia PW313D,” first available Oct. 26, 2021, retrieved Oct. 27, 2022 from <https://www.amazon.com/AVerMedia-PW313D-Autofocus-1080p30fps-Conferencing/dp/B09J7Q2H5H> (Year: 2021).*

(30) **Foreign Application Priority Data**

(Continued)

Feb. 9, 2021 (TW) 110300811

(51) **LOC (14) CL.** **16-01**

(52) **U.S. CL.**
USPC **D16/202; D16/207**

Primary Examiner — Maria J. Edwards
Assistant Examiner — Dina Michelle Hoeynck
(74) *Attorney, Agent, or Firm* — CKC & Partners Co.,
LLC

(58) **Field of Classification Search**
USPC D16/200, 202, 203, 205, 207–209, 214,
D16/217, 218, 219; D14/125, 130, 140,
D14/496, 172; D10/106.6
CPC G03B 17/00; G03B 17/02; G03B 2217/00;
H04N 5/225; H04N 5/2251; H04N
5/2252

(57) **CLAIM**

The ornamental design for a dual camera, as shown and described.

See application file for complete search history.

DESCRIPTION

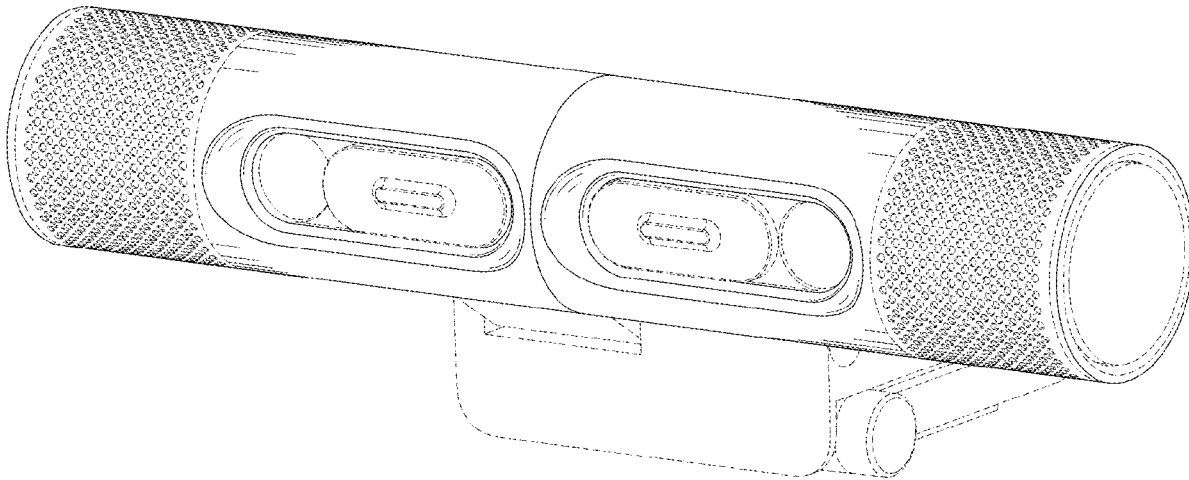
(56) **References Cited**

FIG. 1 is a perspective view of a dual camera showing my new design;
FIG. 2 is a front elevational view thereof;
FIG. 3 is a rear elevational view thereof;
FIG. 4 is a left side elevational view thereof;
FIG. 5 is a right side elevational view thereof;
FIG. 6 is a top plan view thereof;
FIG. 7 is a bottom plan view thereof; and,
FIG. 8 is another perspective view thereof.
The broken lines in the drawings illustrate portions of the dual camera which form no part of the claimed design.

U.S. PATENT DOCUMENTS

D554,683 S * 11/2007 Jones D16/208
D581,441 S * 11/2008 Kim D16/218
D709,117 S * 7/2014 Gan D16/202
D776,740 S * 1/2017 Okawa D16/203
D800,201 S * 10/2017 Song D16/202
D811,465 S * 2/2018 Nokuo D16/218
D842,358 S * 3/2019 Puric D16/203
D848,502 S * 5/2019 Puric D16/203
D849,086 S * 5/2019 Russo D16/202
D865,025 S * 10/2019 Siminoff D16/203

1 Claim, 8 Drawing Sheets



(56)

References Cited

U.S. PATENT DOCUMENTS

2015/0035963 A1* 2/2015 Kirschner H04N 17/002
348/78
2016/0195799 A1* 7/2016 Koyama H04N 5/247
396/428

OTHER PUBLICATIONS

“Avermedia CAM 313,” first available Jul. 19, 2019, retrieved Oct. 27, 2022 from <https://www.amazon.com/AVerMedia-Live-Streamer-CAM-313/dp/B07TS9C499> (Year: 2019).*

* cited by examiner

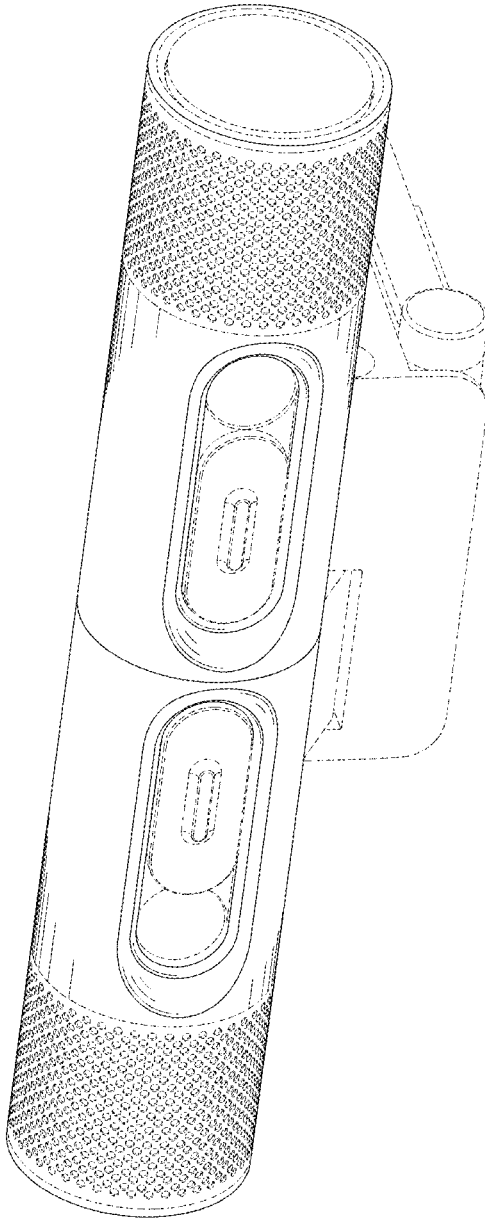


Fig. 1

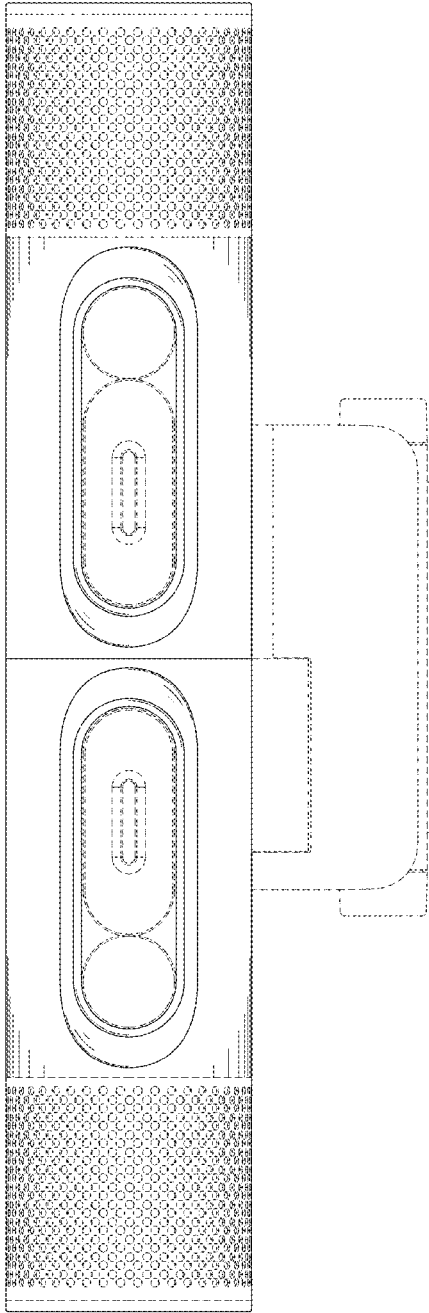


Fig. 2

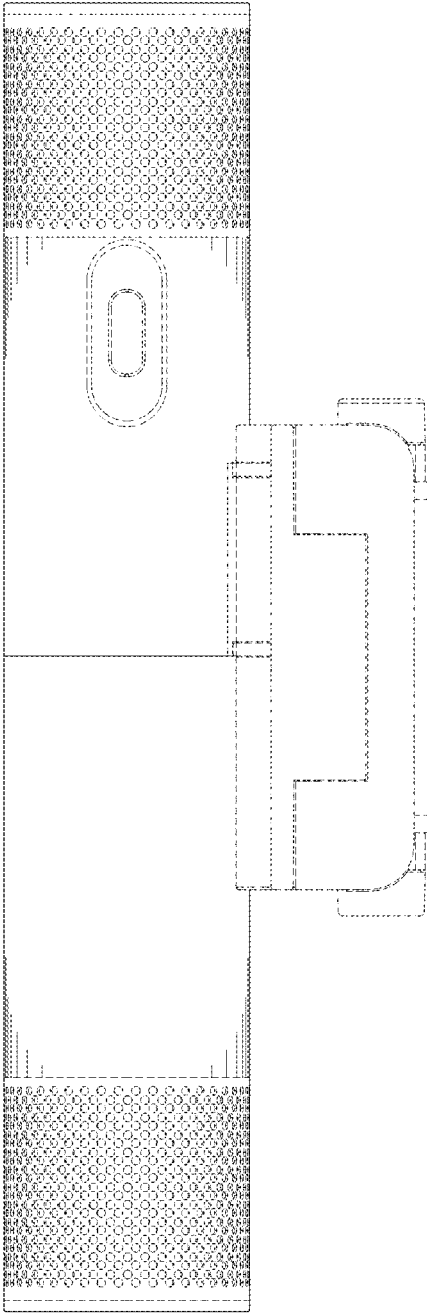


Fig. 3

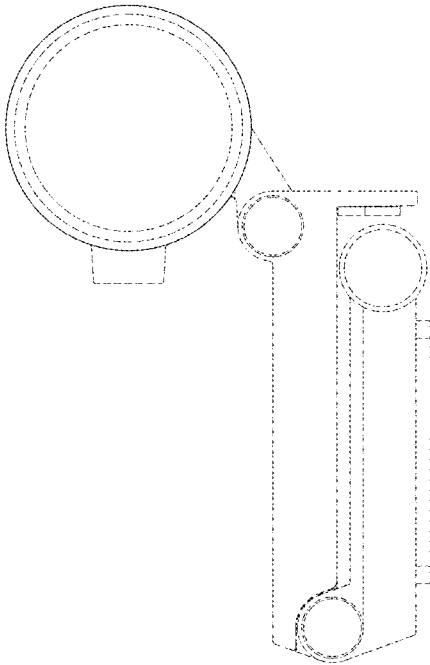


Fig. 4

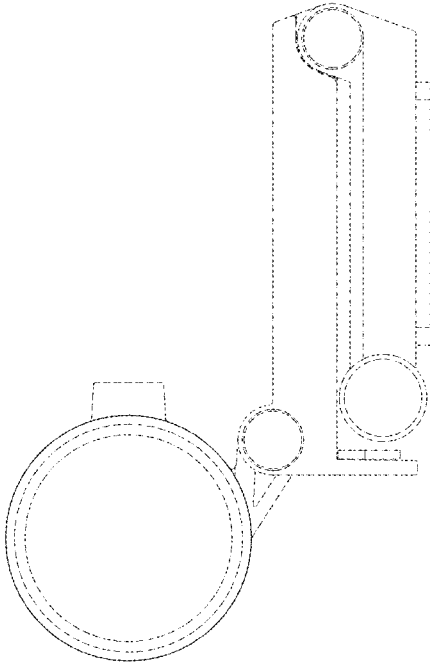


Fig. 5

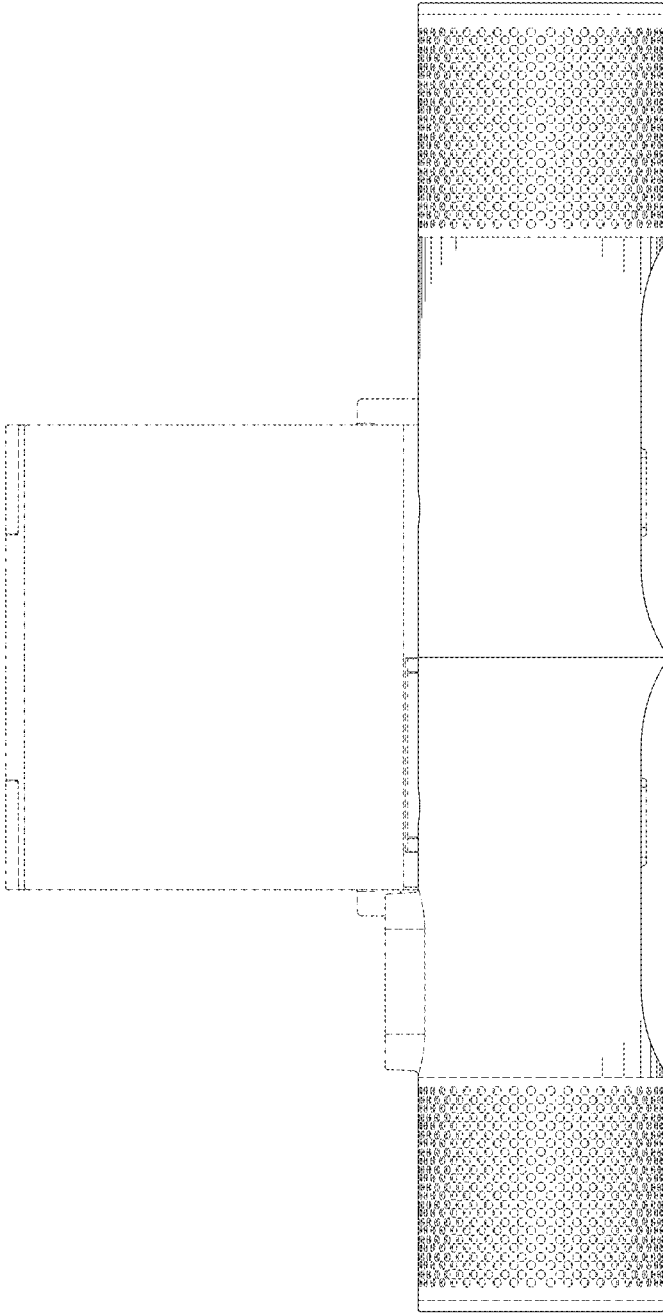


Fig. 6

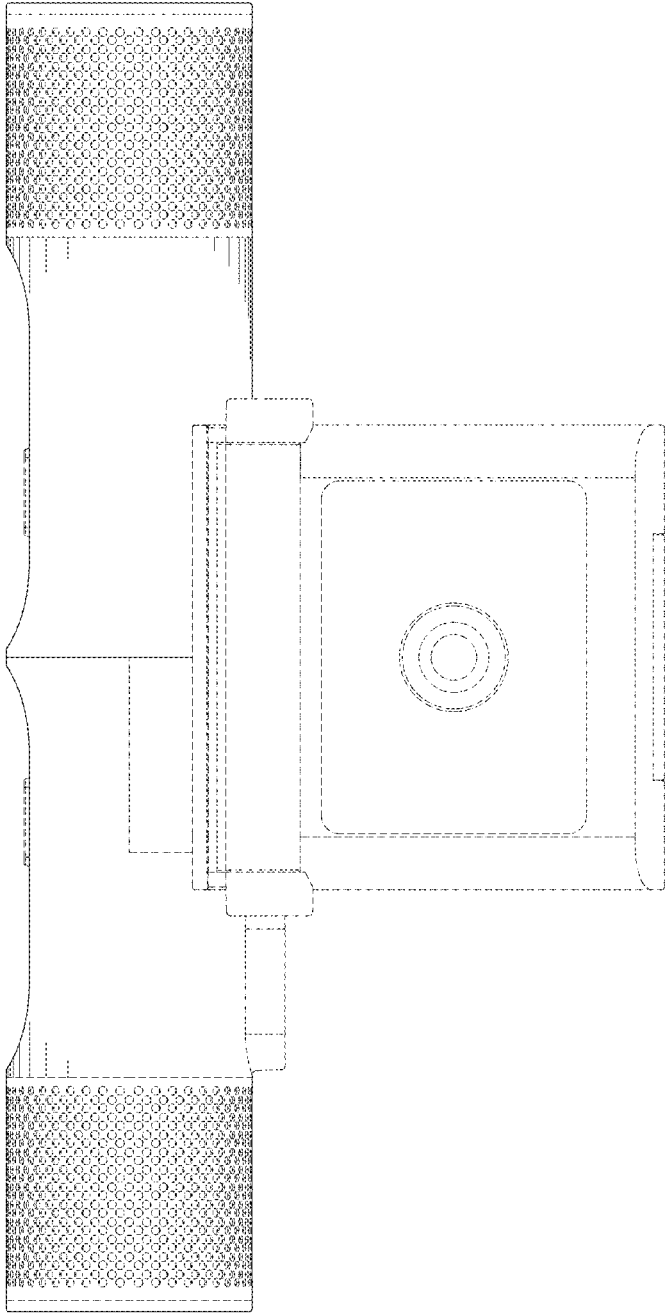


Fig. 7

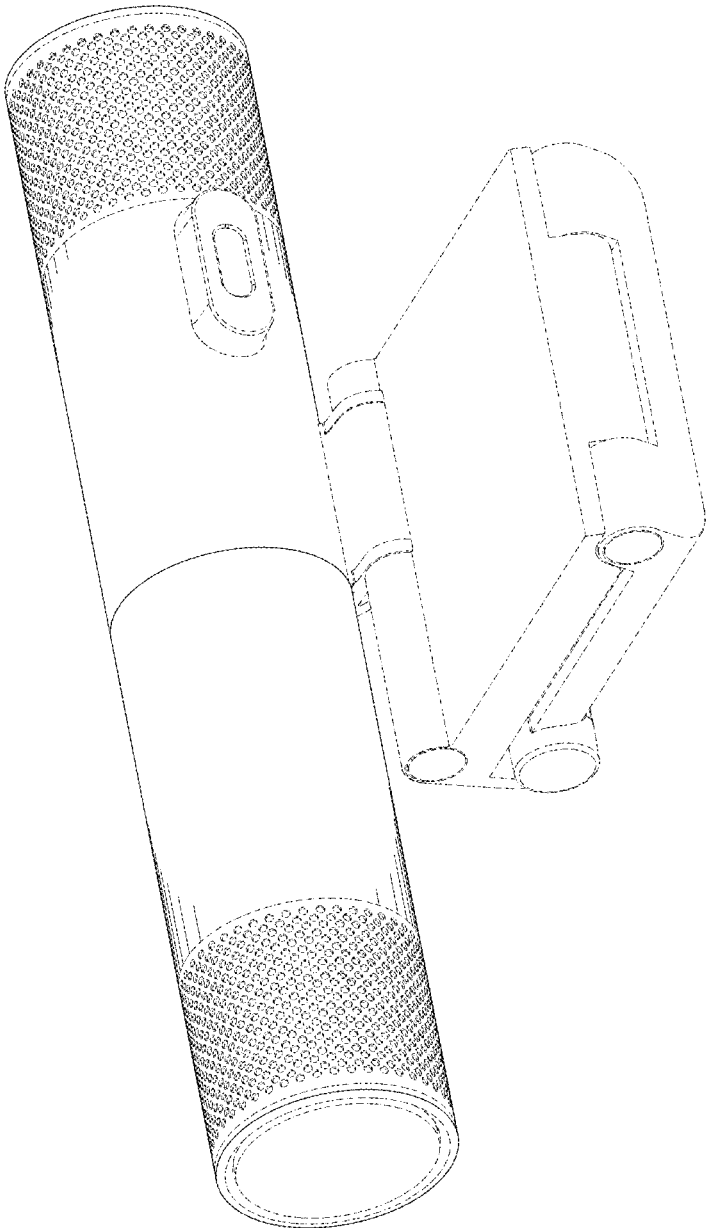


Fig. 8