

CORRECTED VERSION

(19) World Intellectual Property Organization  
International Bureau



(43) International Publication Date  
1 March 2007 (01.03.2007)

PCT

(10) International Publication Number  
**WO 2007/024132 A1**

(51) **International Patent Classification:**  
*BOID 53/04* (2006.01)     *BOID 53/08* (2006.01)  
*BOID 53/02* (2006.01)

(21) **International Application Number:**  
PCT/NL2006/000434

(22) **International Filing Date:** 28 August 2006 (28.08.2006)

(25) **Filing Language:** Dutch

(26) **Publication Language:** English

(30) **Priority Data:**  
1029822     26 August 2005 (26.08.2005)     NL  
1030149     10 October 2005 (10.10.2005)     NL  
1030538     28 November 2005 (28.11.2005)     NL

(71) **Applicant** (for all designated States except US): **OPTI-MAIR HOLDING B. V. I. O** [NL/NL]; Tukseweg 146, NL-8334 RW Tuk (NL).

(72) **Inventor; and**

(75) **Inventor/Applicant** (for US only): **MEIJER, Willem** [NL/NL]; Jan Steenstraat 92, NL-7021 DV Zelhem (NL).

(74) **Agent:** **BARTELD, Erik**; Arnold & Siedsma, Sweelinckplein 1, NL-2517 GK The Hague (NL).

(81) **Designated States** (unless otherwise indicated, for every kind of national protection available): AE, AG, AL, AM, AT, AU, AZ, BA, BB, BG, BR, BW, BY, BZ, CA, CH, CN, CO, CR, CU, CZ, DE, DK, DM, DZ, EC, EE, EG, ES, FI, GB, GD, GE, GH, GM, HN, HR, HU, ID, IL, IN, IS, JP, KE, KG, KM, KN, KP, KR, KZ, LA, LC, LK, LR, LS, LT, LU, LV, LY, MA, MD, MG, MK, MN, MW, MX, MY, MZ, NA, NG, NI, NO, NZ, OM, PG, PH, PL, PT, RO, RS, RU, SC, SD, SE, SG, SK, SL, SM, SV, SY, TJ, TM, TN, TR, TT, TZ, UA, UG, US, UZ, VC, VN, ZA, ZM, ZW

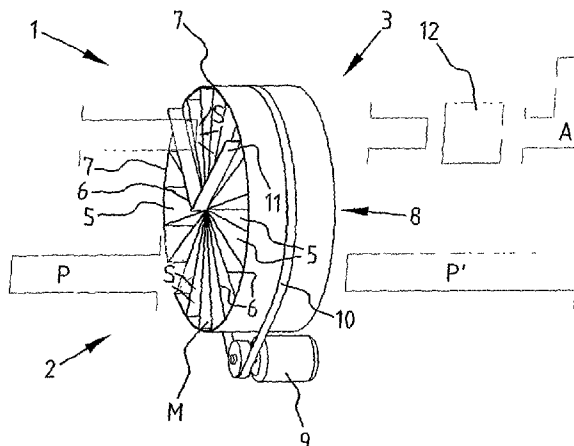
(84) **Designated States** (unless otherwise indicated, for every kind of regional protection available): ARIPO (BW, GH, GM, KE, LS, MW, MZ, NA, SD, SL, SZ, TZ, UG, ZM, ZW), Eurasian (AM, AZ, BY, KG, KZ, MD, RU, TJ, TM), European (AT, BE, BG, CH, CY, CZ, DE, DK, EE, ES, FI, FR, GB, GR, HU, IE, IS, IT, LT, LU, LV, MC, NL, PL, PT, RO, SE, SI, SK, TR), OAPI (BF, BJ, CF, CG, CI, CM, GA, GN, GQ, GW, ML, MR, NE, SN, TD, TG).

**Published:**

- with international search report
- with information concerning request for restoration of the right of priority in respect of one or more priority claims

[Continued on next page]

(54) **Title:** METHOD AND DEVICE FOR SEPARATING A SUBSTANCE FROM A PROCESS GAS



(57) **Abstract:** The invention relates to a method for separating a substance from a process gas, comprising the steps of : a) supplying the process gas, b) bringing the process gas into contact with a sorption material, wherein the substance passes from the process gas into the sorption material, c) discharging the process gas from which the substance has been separated, and d) regenerating the sorption material by relinquishing the substance sorbed therein or thereon to an auxiliary gas, wherein: - as sorption material a material is used which has a sorption state in which it has a relatively great take-up capacity for the substance, as well as a desorption state in which the take-up capacity is smaller, and - the sorption material is transferred from the sorption state to the desorption state at a temperature lower than the boiling point of the sorbed substance for the purpose of regeneration. The invention further relates to a device for performing this method.

WO 2007/024132 A1



---

**(48) Date of publication of this corrected version:**

27 November 2008

**(15) Information about Correction:**

see Notice of 27 November 2008