



US0D1001117S

(12) **United States Design Patent**  
**Zhang**

(10) **Patent No.:** **US D1,001,117 S**

(45) **Date of Patent:** **\*\* Oct. 10, 2023**

(54) **CASE FOR MOBILE TELEPHONE**

(71) Applicant: **Guangzhou Eastmate Plastic Product Co., Ltd.**, Guangzhou (CN)

(72) Inventor: **Yiqiang Zhang**, Guangdong (CN)

(\*\*) Term: **15 Years**

(21) Appl. No.: **35/514,752**

(22) Filed: **Jul. 4, 2022**

(80) **Hague Agreement Data**

Int. Filing Date: **Jul. 4, 2022**  
Int. Reg. No.: **DM/222117**  
Int. Reg. Date: **Jul. 4, 2022**  
Int. Reg. Pub. Date: **Jul. 22, 2022**

(30) **Foreign Application Priority Data**

May 23, 2022 (CN) ..... 202230306343.6

(51) **LOC (14) Cl.** ..... **14-03**

(52) **U.S. Cl.**  
USPC ..... **D14/250**

(58) **Field of Classification Search**

USPC ..... D3/201, 218, 247, 249, 269, 327, 328;  
D14/215, 217, 232, 243, 248, 249,  
D14/250-253, 432, 440; D13/107, 108,  
D13/118, 119

CPC ..... H04B 1/3888; H04M 1/0283;  
H04M 1/0202; A45F 2005/028; A45F  
2200/0525

See application file for complete search history.

(56) **References Cited**

**U.S. PATENT DOCUMENTS**

D638,005 S \* 5/2011 Richardson ..... D14/250  
D698,346 S \* 1/2014 Chang ..... D14/250  
D699,715 S \* 2/2014 Fitzgerald ..... D14/250  
D729,788 S \* 5/2015 Witter ..... D14/250  
D794,626 S \* 8/2017 Armstrong ..... D14/250

D808,369 S \* 1/2018 Kim ..... D14/250  
D831,018 S \* 10/2018 Kim ..... D14/250  
D843,364 S \* 3/2019 Sasaki ..... D14/250  
D844,597 S \* 4/2019 Ahn ..... D14/250  
D861,662 S \* 10/2019 Ahn ..... D14/250  
D861,664 S \* 10/2019 Chen ..... D14/250  
D862,451 S \* 10/2019 Ahn ..... D14/250  
D876,421 S \* 2/2020 Armstrong ..... D14/250  
D897,330 S \* 9/2020 Jung ..... D14/250  
D898,016 S \* 10/2020 Liang ..... D14/250  
D898,723 S \* 10/2020 Jung ..... D14/250  
D898,726 S \* 10/2020 Ahn ..... D14/250  
D901,474 S \* 11/2020 Armstrong ..... D14/250  
D923,616 S \* 6/2021 Xie ..... D14/250  
D937,250 S \* 11/2021 Jakobuco ..... D14/250

(Continued)

*Primary Examiner* — L. A. Grabenstetter

(57) **CLAIM**

The ornamental design for a case for mobile telephone, as shown and described.

**DESCRIPTION**

1. Case for mobile telephone

1.1: Front View

1.2: Rear View

1.3: Left View

1.4: Right View

1.5: Top View

1.6: Bottom View

1.7: Front Perspective View

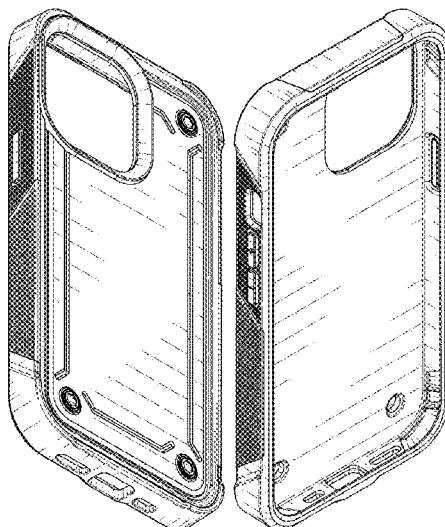
1.8: Rear Perspective View

1.9: Partial Enlarged View

1.10: Partial Enlarged View

Fig. 1.9 is an enlarged view of the corresponding portion of fig. 1.3 outlined by a dot-dash broken line; Fig. 1.10 is an enlarged view of the corresponding portion of fig.1.4 outlined by a dot-dash broken line; The dot-dash broken lines in figs. 1.3, 1.4, 1.9 and 1.10 delineate portions of the claimed design that are shown on an enlarged scale in figs. 1.9 and 1.10, and form no part of the claimed design.

**1 Claim, 10 Drawing Sheets**



(56)

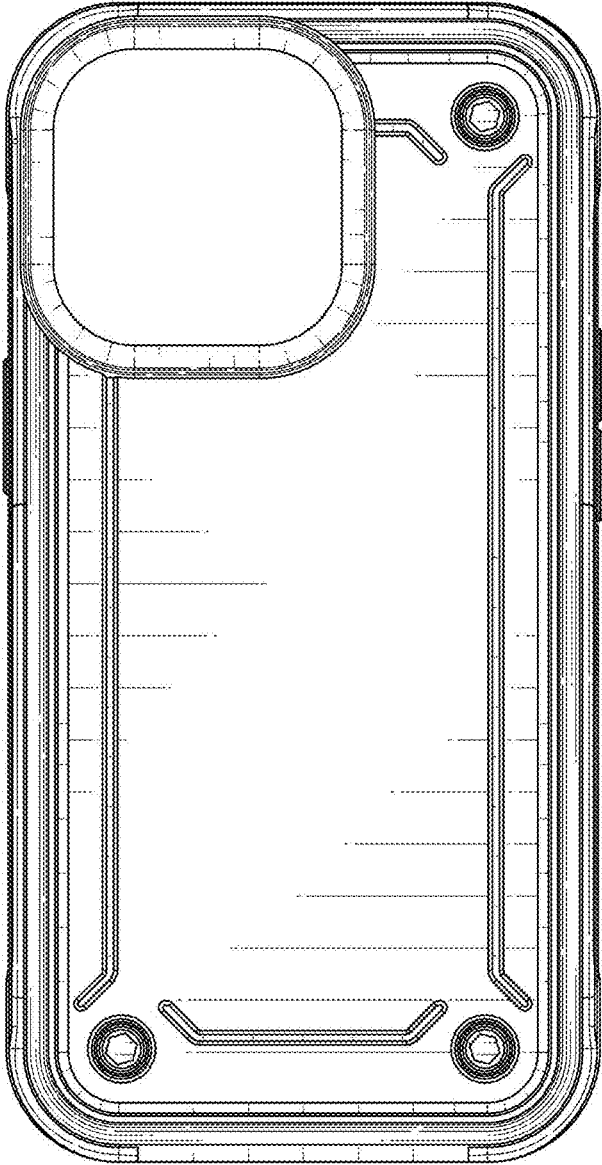
**References Cited**

U.S. PATENT DOCUMENTS

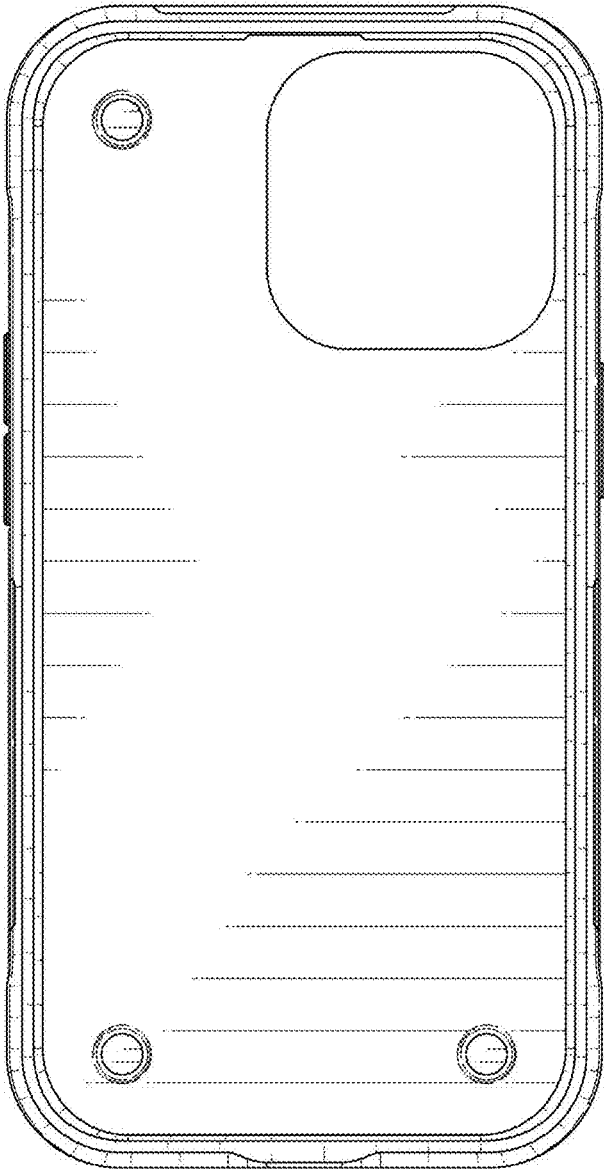
D941,282	S	*	1/2022	Bai	.....	D14/250
D947,830	S	*	4/2022	Lin	.....	D14/250
D949,137	S	*	4/2022	Hutchinson	.....	D14/250
D949,840	S	*	4/2022	Ling	.....	D14/250
D952,624	S	*	5/2022	Armstrong	.....	D14/250
D970,491	S	*	11/2022	Peng	.....	D14/250
D973,047	S	*	12/2022	Lin	.....	D14/251

\* cited by examiner

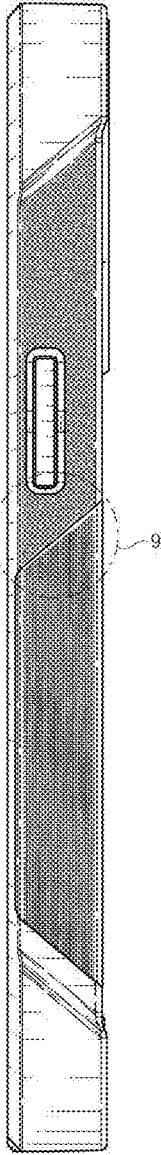
1.1



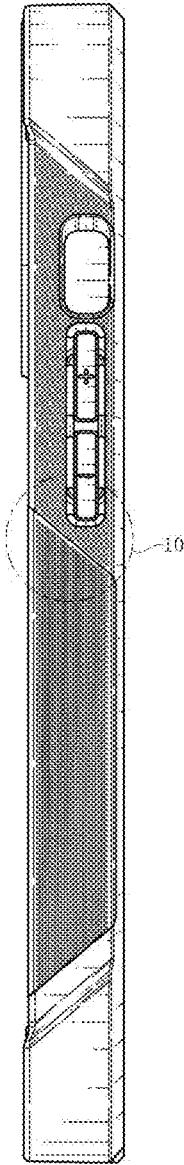
1.2



1.3



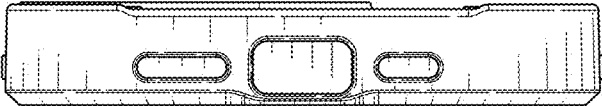
1.4



1.5

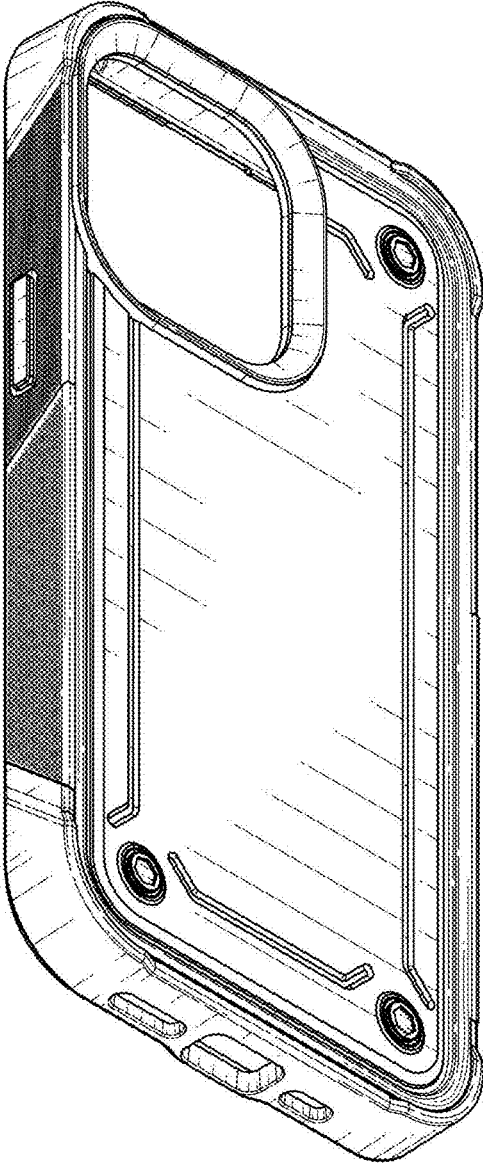


1.6

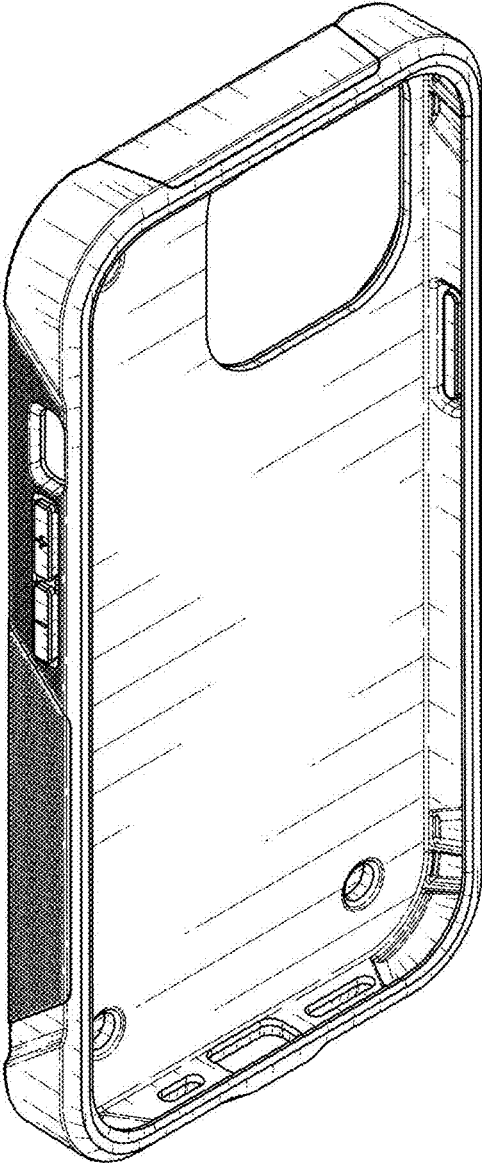




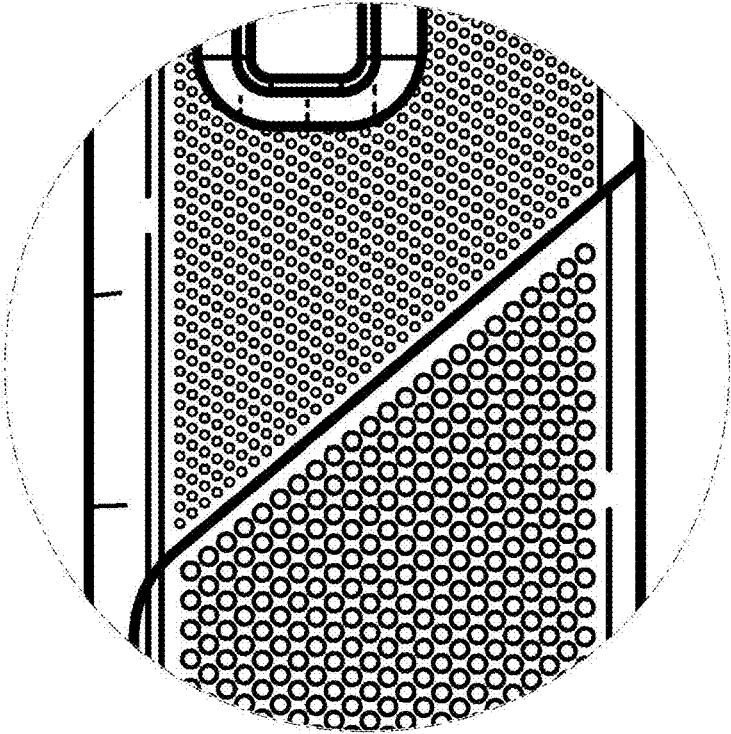
1.7



1.8



1.9



1.10

