



US0D1006805S

(12) **United States Design Patent**
Kelsch et al.

(10) **Patent No.:** **US D1,006,805 S**

(45) **Date of Patent:** **** Dec. 5, 2023**

(54) **ANTI-THEFT BRACKET FOR A FOLDABLE SMARTPHONE**

9,169,670 B2 10/2015 Shute et al.
D750,612 S 3/2016 Chen
D757,549 S * 5/2016 Kuo D9/432

(Continued)

(71) Applicants: **Christopher A. Kelsch**, Palm Harbor, FL (US); **Vanguard Products Group, Inc.**, Oldsmar, FL (US)

FOREIGN PATENT DOCUMENTS

(72) Inventors: **Christopher A. Kelsch**, Palm Harbor, FL (US); **Lee Eckert**, Sarasota, FL (US); **Wade Zhu**, Land O' Lakes, FL (US)

EM 002687376-0010 * 7/2015
WO WO D203833-001 * 11/2019

OTHER PUBLICATIONS

(73) Assignee: **Vanguard Products Group, Inc.**, Oldsmar, FL (US)

Alien Security, date not known, retrieved Sep. 13, 2023, retrieved from the internet URL: < <https://alien-security.com/retail-security/security-display/anti-theft-phone-holder/> > (Year: 2023).*

(Continued)

(**) Term: **15 Years**

Primary Examiner — Janice Hallmark

Assistant Examiner — Rodolfo Castro, Jr.

(21) Appl. No.: **29/880,208**

(74) *Attorney, Agent, or Firm* — Andriy Lytvyn; Hill Ward Henderson, P.A.

(22) Filed: **Jul. 19, 2023**

(51) **LOC (14) Cl.** **14-03**

(52) **U.S. Cl.**
USPC **D14/253**

(58) **Field of Classification Search**
USPC D14/217, 250–253, 440, 447; D3/218
CPC F16M 13/00; F16M 2200/00; A45C 2011/002; A45C 2011/003; A45C 1/06; A47B 2023/049; A47B 2097/005; A47B 2097/006; H04M 1/12; H04M 1/11; H04M 1/04

See application file for complete search history.

(57) **CLAIM**

The ornamental design for an anti-theft bracket for a foldable smartphone, as shown and described.

DESCRIPTION

FIG. 1 is a perspective front view of an anti-theft bracket for a foldable smartphone showing the claimed design; FIG. 2 is a perspective back view thereof; FIG. 3 is a front view thereof; FIG. 4 is a back view thereof; FIG. 5 is a left view thereof; FIG. 6 is a right view thereof; FIG. 7 is a top view thereof; and, FIG. 8 is a bottom view thereof.

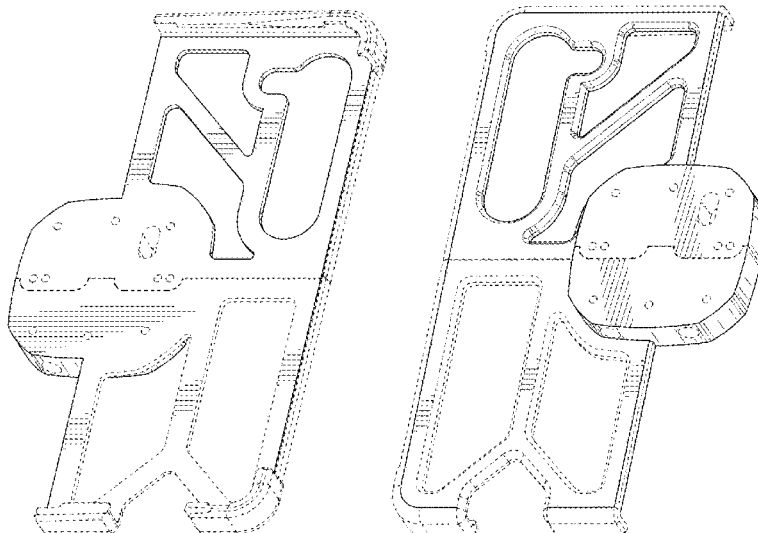
The broken lines illustrate portions of the anti-theft bracket for a foldable smartphone that form no part of the claimed design.

1 Claim, 6 Drawing Sheets

(56) **References Cited**

U.S. PATENT DOCUMENTS

D111,903 S 10/1938 Heller
D552,449 S 10/2007 Kotze et al.
D609,075 S 2/2010 Remark
D688,253 S 8/2013 Choa et al.
D689,502 S * 9/2013 Belitz D14/447
D692,440 S 10/2013 Tsai
D717,804 S 11/2014 Budge
D732,545 S 6/2015 Apter



(56)

References Cited

U.S. PATENT DOCUMENTS

D759,001 S 6/2016 Behar
 D759,005 S 6/2016 Murakami
 D772,217 S 11/2016 Alesi et al.
 D772,218 S 11/2016 Alesi et al.
 D773,449 S 12/2016 Mellano et al.
 D773,465 S * 12/2016 Palmer D14/434
 D777,167 S 1/2017 Wengreen
 D778,283 S 2/2017 Tsai
 D780,168 S 2/2017 Du
 D795,265 S 2/2017 Li
 D798,305 S 9/2017 Wengreen
 D798,306 S 9/2017 Wengreen
 9,797,543 B2 10/2017 Lin
 D822,379 S 7/2018 Li
 D825,576 S * 8/2018 Krupa D14/447
 D831,660 S 10/2018 Yao et al.
 10,118,565 B2 11/2018 Kim
 D839,867 S 2/2019 Zhao
 D840,994 S 2/2019 Balmer
 D840,995 S 2/2019 Balmer
 10,323,440 B1 6/2019 Kelsch et al.

D854,537 S 7/2019 Ackeret et al.
 D860,915 S 9/2019 Tang
 D861,333 S 10/2019 Feng
 D868,048 S * 11/2019 Kepniss D14/238.1
 D889,819 S * 7/2020 Feng D14/447
 10,750,885 B2 8/2020 Hyma et al.
 D923,451 S 6/2021 Kelsch et al.
 D927,495 S 10/2021 Kelsch et al.
 D935,463 S 11/2021 Wang
 D991,244 S * 7/2023 Li D14/447
 D993,949 S * 8/2023 Kelsch D14/447
 2015/0201723 A1 7/2015 Rayner et al.

OTHER PUBLICATIONS

Pro Clip, date not known, retrieved Sep. 13, 2023, retrieved from the internet URL: < <https://www.proclipusa.com/products/galaxy-z-fold3-spring-loaded-charging-holder-for-cig-plug?> > (Year: 2023).
 Photographs: Front and back view of Vanguard Products Group, Inc.'s Anti-theft Bracket for a foldable smartphone.
 Photographs: Front and back view of Vanguard Products Group, Inc.'s Anti-theft Bracket for a flip smartphone.

* cited by examiner

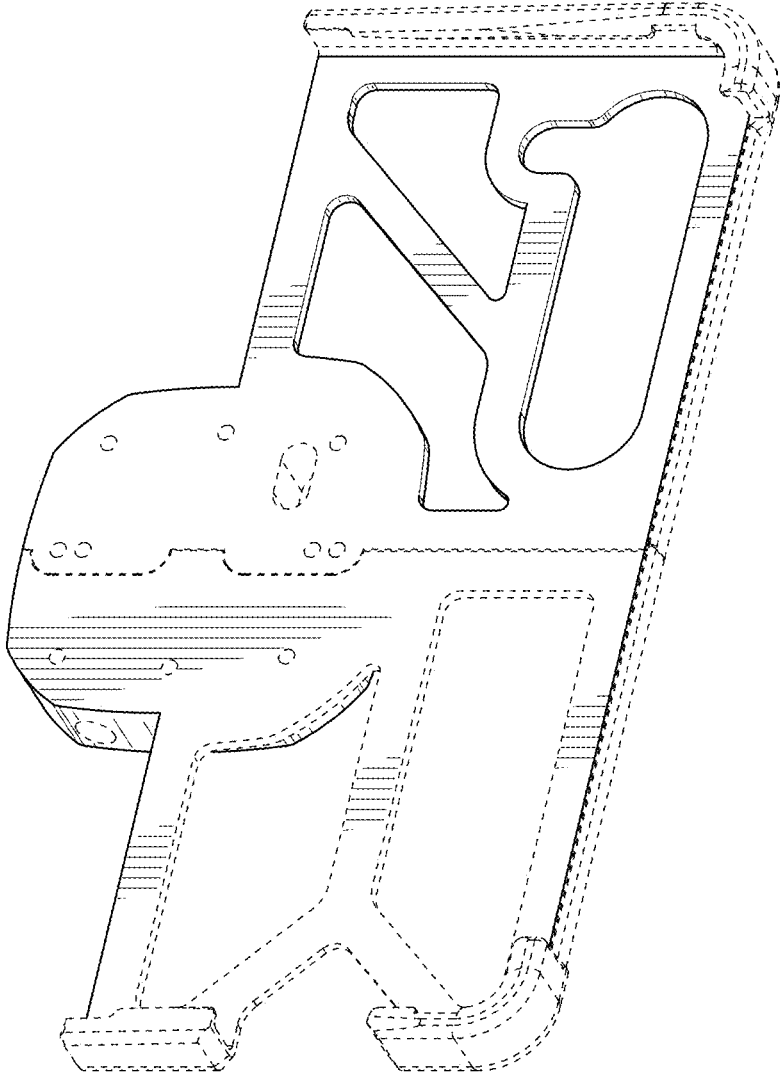


FIG. 1

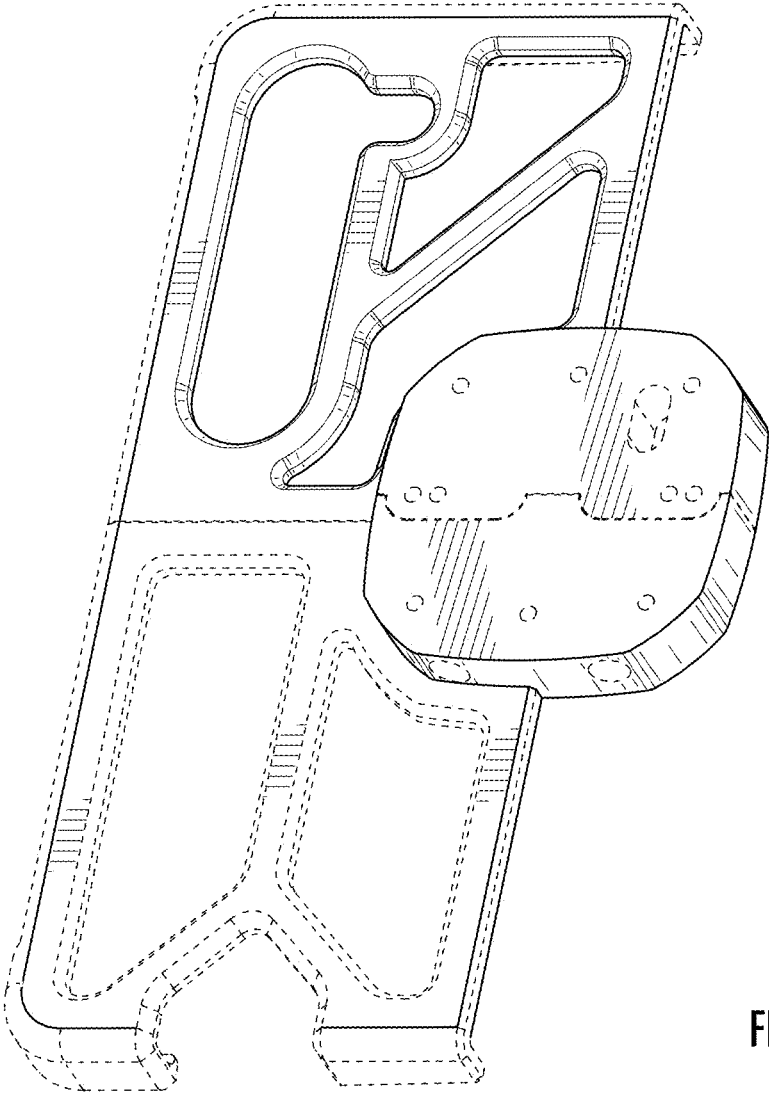


FIG. 2

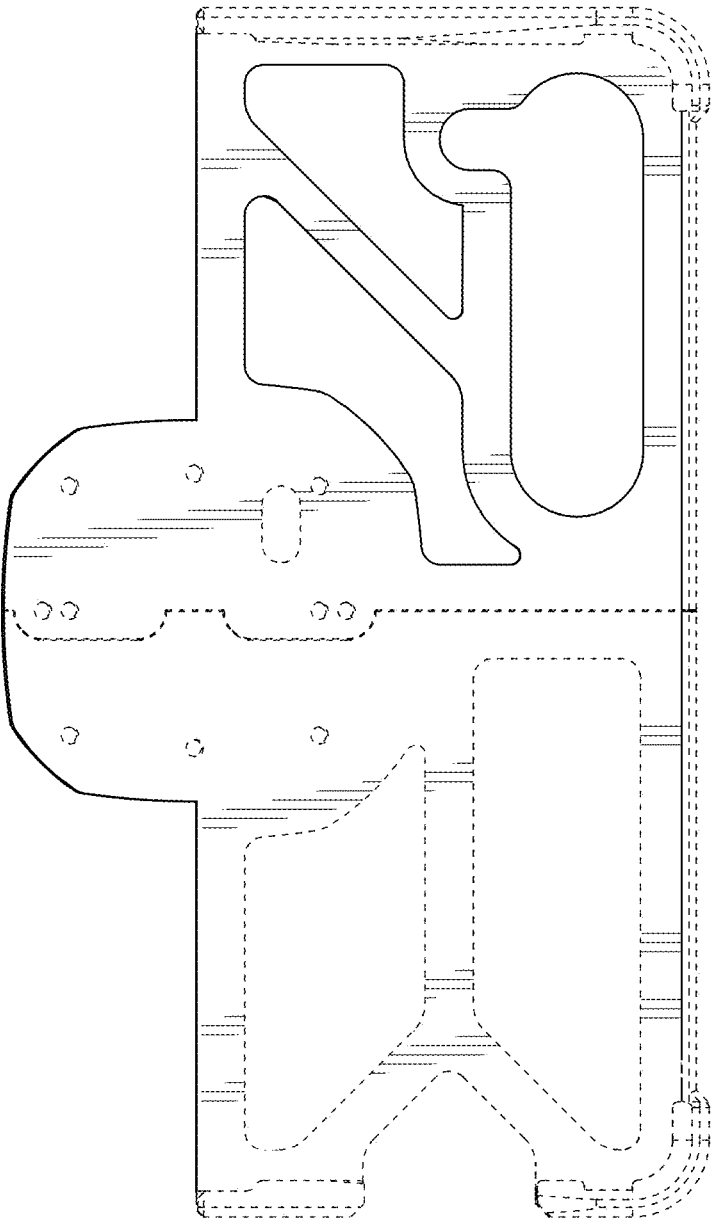


FIG. 3

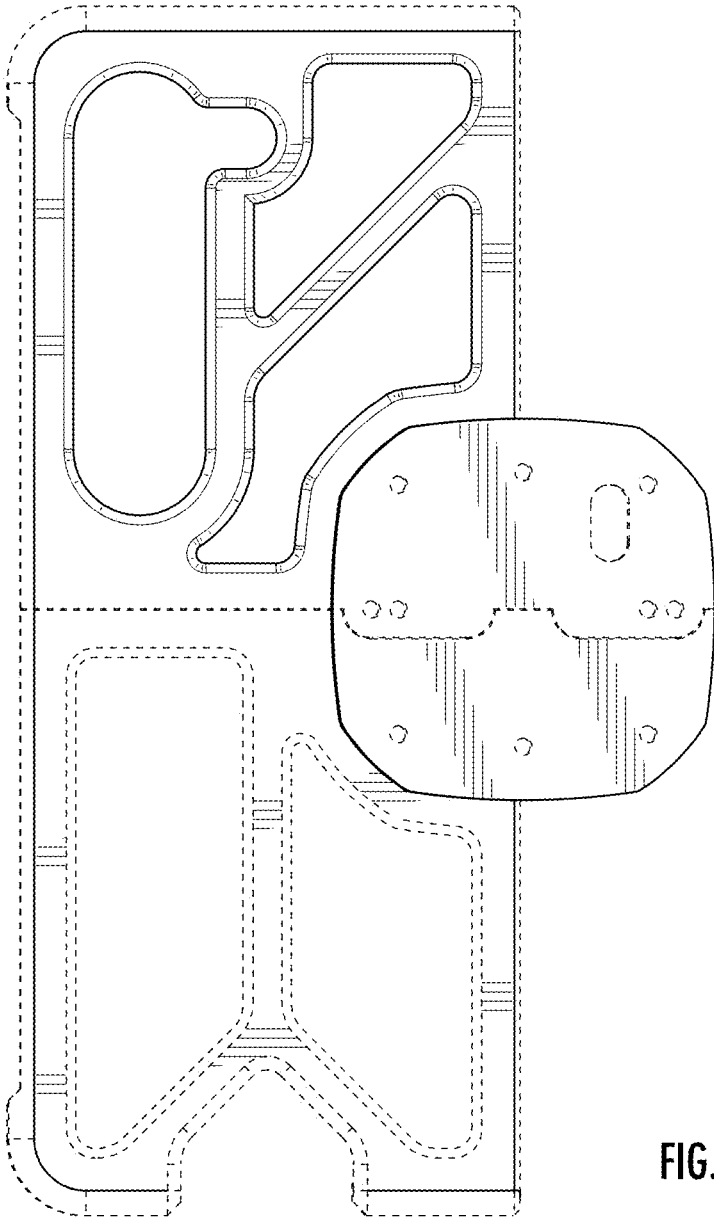


FIG. 4



FIG. 5



FIG. 6

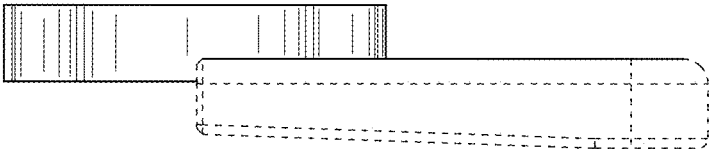


FIG. 7

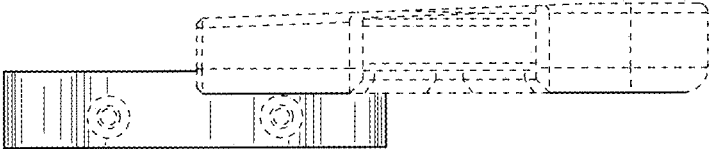


FIG. 8