



US00D378047S

United States Patent [19]
Chudoba

[11] **Patent Number:** **Des. 378,047**

[45] **Date of Patent:** ****Feb. 18, 1997**

[54] **MOUNTING RAIL**

3,458,052 7/1969 Kann D25/119 X
3,513,606 5/1970 Jones D25/119 X

[76] Inventor: **Josef Chudoba**, Kullavägen 11, 746 95
Bålsta, Sweden

[**] Term: **14 Years**

Primary Examiner—Holly Baynham
Attorney, Agent, or Firm—Popham Haik Schnobrich &
Kaufman, Ltd.

[21] Appl. No.: **42,979**

[22] Filed: **Aug. 22, 1995**

[57] **CLAIM**

An ornamental design for a mounting rail, as shown and described.

[30] **Foreign Application Priority Data**

Feb. 23, 1995 [SE] Sweden 95-0384

[52] **U.S. Cl.** **D8/354**

[58] **Field of Search** D8/356; D26/140;
D13/155; 439/110-120; 52/468; 174/68.3,
101; 428/35.7; D34/29; D25/119-125

DESCRIPTION

FIG. 1 is a top right perspective view of a mounting rail showing my new design, the mounting rail being of indefinite length; and,

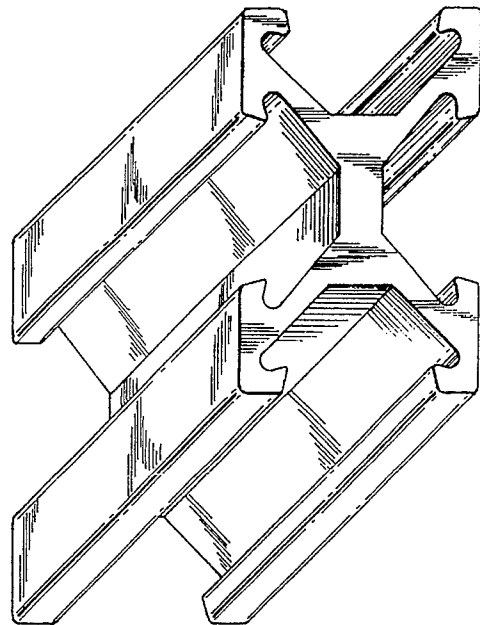
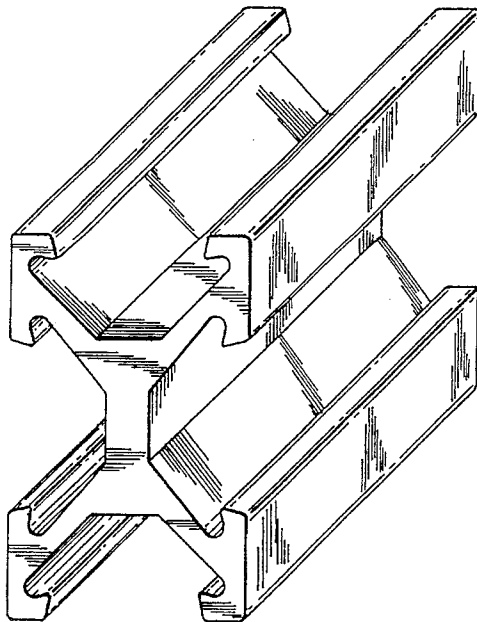
FIG. 2 is a bottom left perspective view thereof.

[56] **References Cited**

U.S. PATENT DOCUMENTS

3,250,584 5/1966 Tassell D25/119 X

1 Claim, 1 Drawing Sheet



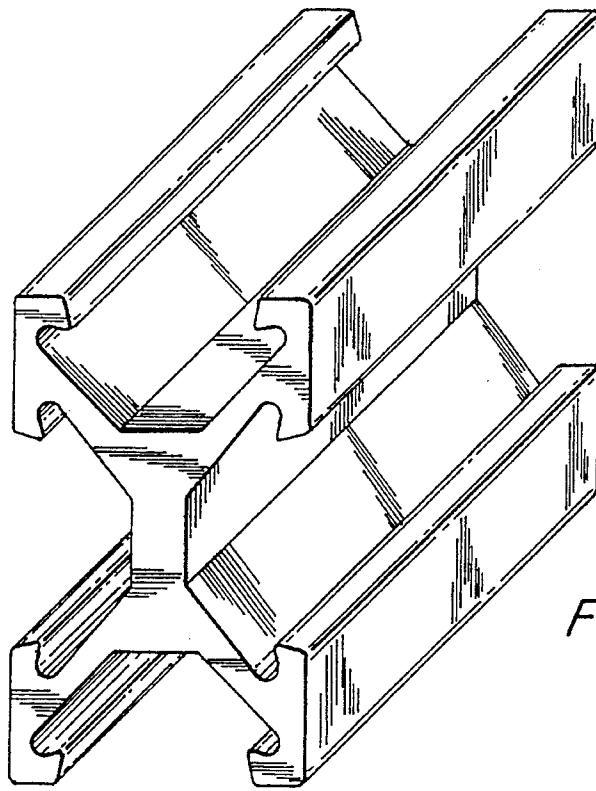


FIG. 1

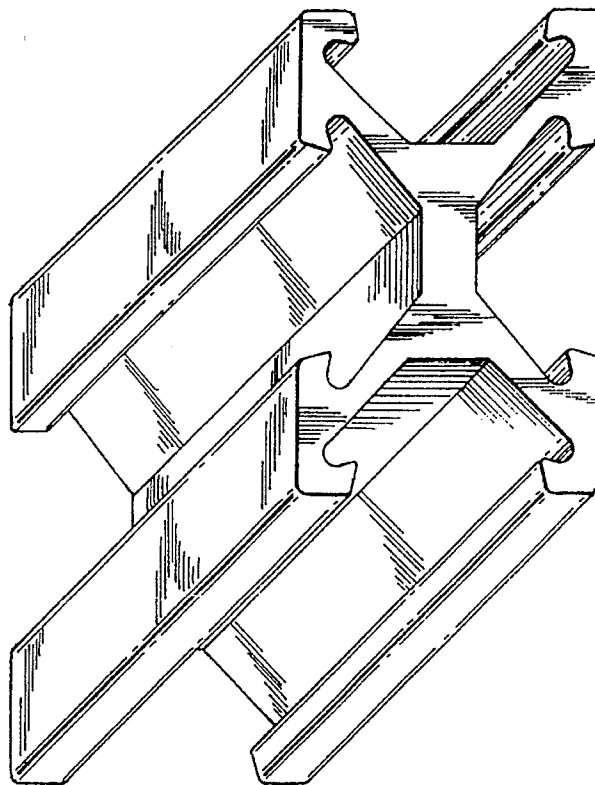


FIG. 2