



US00D668637S

(12) **United States Design Patent**
Kitayama

(10) **Patent No.:** **US D668,637 S**

(45) **Date of Patent:** **** Oct. 9, 2012**

(54) **EARPHONE**

(75) Inventor: **Sohei Kitayama**, Tokyo (JP)

(73) Assignee: **Sony Corporation**, Tokyo (JP)

(**) Term: **14 Years**

(21) Appl. No.: **29/371,396**

(22) Filed: **Feb. 7, 2011**

Related U.S. Application Data

(63) Continuation of application No. 29/347,563, filed on Mar. 4, 2010, now Pat. No. Des. 632,282.

(30) **Foreign Application Priority Data**

Oct. 28, 2009 (JP) D2009-025258
Oct. 28, 2009 (JP) D2009-025259
Oct. 28, 2009 (JP) D2009-025260
Nov. 6, 2009 (JP) D2009-026022
Nov. 6, 2009 (JP) D2009-026023
Jan. 29, 2010 (CN) 2010 3 0114246

(51) **LOC (9) Cl.** **14-01**

(52) **U.S. Cl.** **D14/223**

(58) **Field of Classification Search** D14/205,
D14/206, 223; 181/129, 130, 135; 379/430,
379/420.04; 381/380, 381, 328, 324, 382;
D24/174, 106; 128/864, 865; 455/90.3,
455/575.1, 575.2, 351

See application file for complete search history.

(56) **References Cited**

U.S. PATENT DOCUMENTS

D267,429 S * 12/1982 Harada D24/174
4,375,016 A * 2/1983 Harada 181/135
4,471,490 A * 9/1984 Bellafiore 381/324
D340,286 S * 10/1993 Seo D24/174
D353,379 S 12/1994 Nakamura et al.
D355,702 S * 2/1995 Johnson D23/209
D377,796 S 2/1997 Hayashi
D402,661 S 12/1998 Hayashi

6,690,807 B1 * 2/2004 Meyer 381/327
D508,483 S 8/2005 Suzuki
D518,474 S 4/2006 Suzuki
D556,326 S * 11/2007 Espersen D24/174
7,349,550 B2 * 3/2008 Oliveira et al. 381/380
D587,241 S * 2/2009 Suzuki D14/205
D587,243 S * 2/2009 Suzuki D14/205
D589,151 S * 3/2009 Sabio D24/174
D589,498 S 3/2009 Komiyama
7,570,777 B1 * 8/2009 Taenzer et al. 381/381
D601,548 S * 10/2009 Morisawa D14/223
D602,905 S * 10/2009 Morisawa D14/205
D632,282 S * 2/2011 Kitayama D14/223
D633,472 S 3/2011 Hirano et al.
D633,899 S * 3/2011 Zheng et al. D14/223
D634,730 S 3/2011 Kitayama
D635,574 S 4/2011 Morisawa

(Continued)

FOREIGN PATENT DOCUMENTS

JP D1337832 S 8/2008

(Continued)

Primary Examiner — Paula Greene

(74) *Attorney, Agent, or Firm* — Rader, Fishman & Grauer PLLC

(57) **CLAIM**

The ornamental design for an earphone, as shown and described.

DESCRIPTION

FIG. 1 is a perspective view of an earphone showing my new design;

FIG. 2 is a front elevational view thereof;

FIG. 3 is a rear elevational view thereof;

FIG. 4 is a left side elevational view thereof;

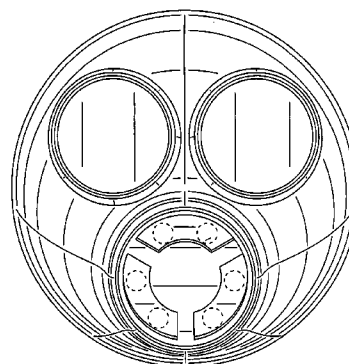
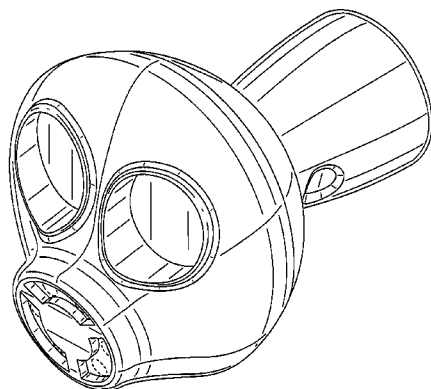
FIG. 5 is a right side elevational view thereof;

FIG. 6 is a top plan view thereof; and,

FIG. 7 is a bottom plan view thereof.

Portions in broken lines are for illustrative purposes only and form no part of the claimed design.

1 Claim, 4 Drawing Sheets



US D668,637 S

Page 2

U.S. PATENT DOCUMENTS

D635,957	S *	4/2011	Hirano et al.	D14/205
D636,377	S *	4/2011	Morisawa	D14/205
7,965,855	B1 *	6/2011	Ham	381/380
8,111,864	B2 *	2/2012	Oliveira et al.	381/381
8,116,495	B2 *	2/2012	Spaulding	381/328

FOREIGN PATENT DOCUMENTS

JP	D1337833	S	8/2008
JP	D1342066	S	11/2008
JP	D1345789	S	12/2008

* cited by examiner

FIG.1

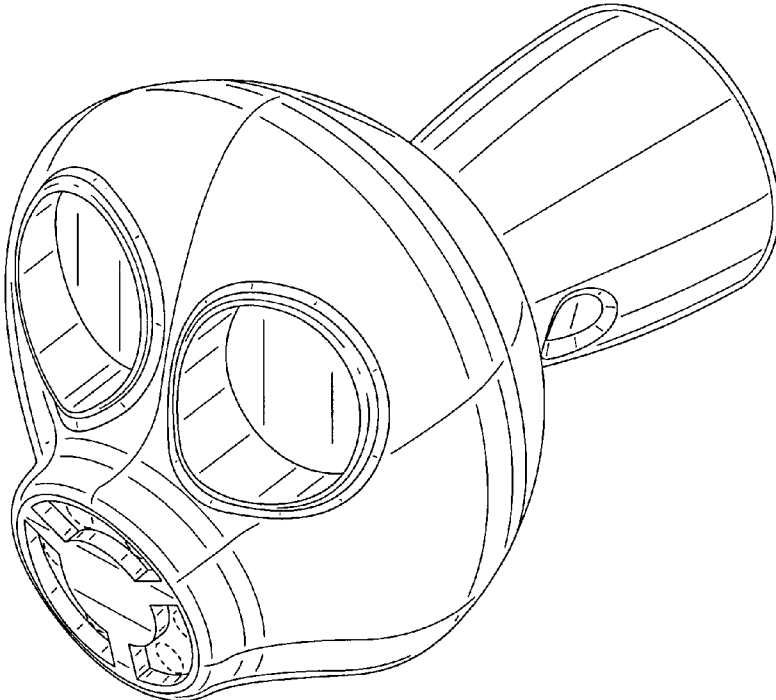


FIG.3

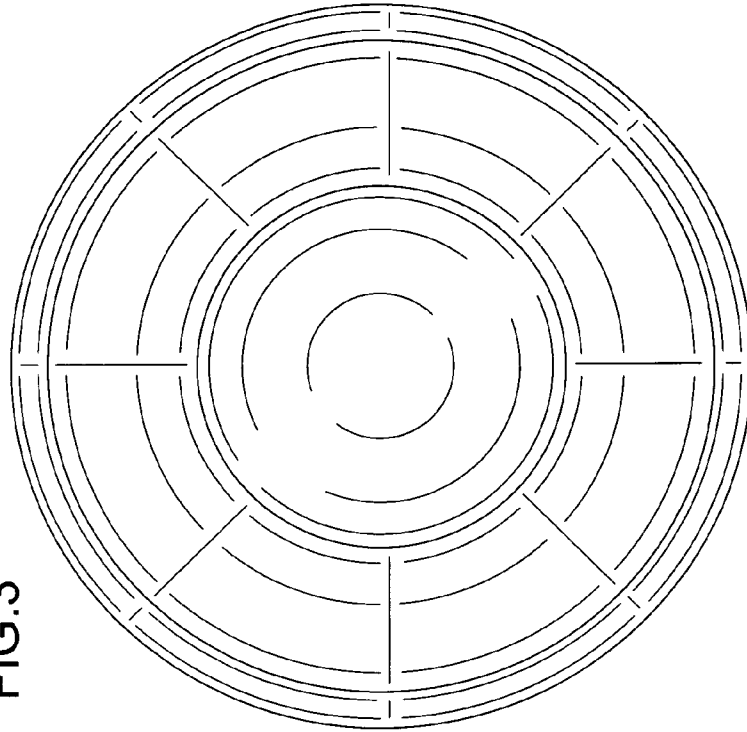


FIG.2

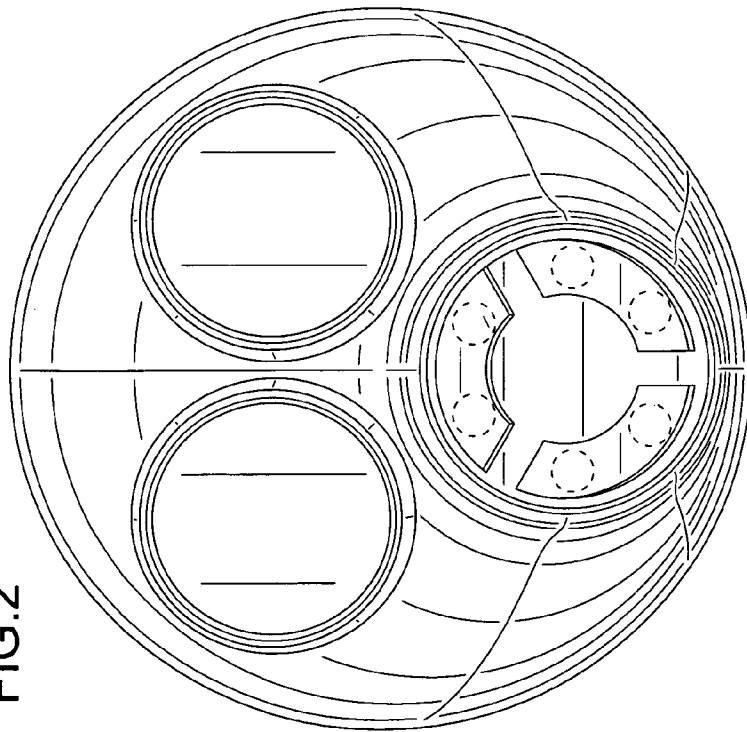


FIG.4

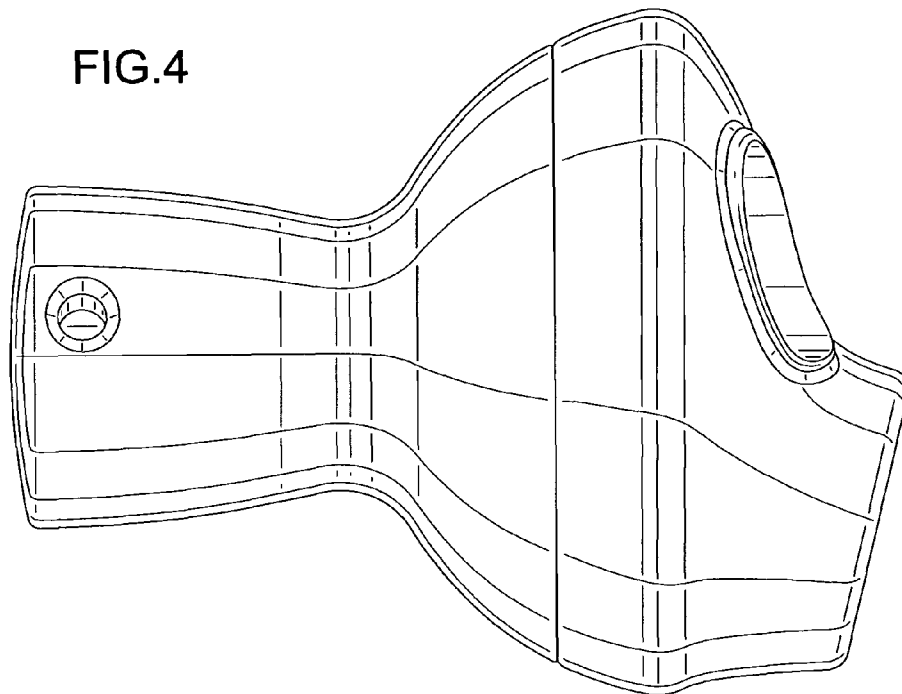
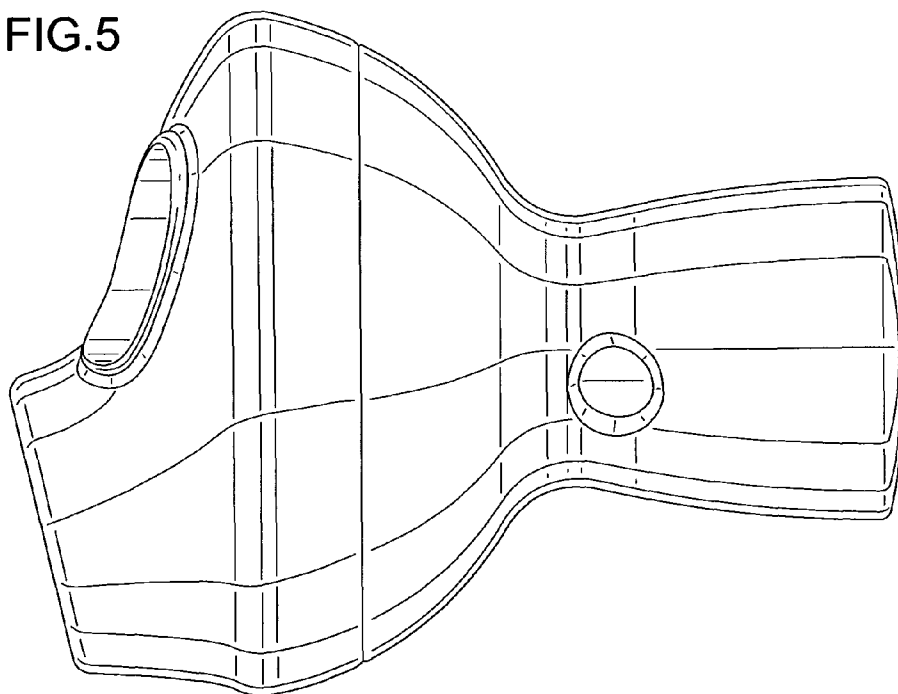


FIG.5



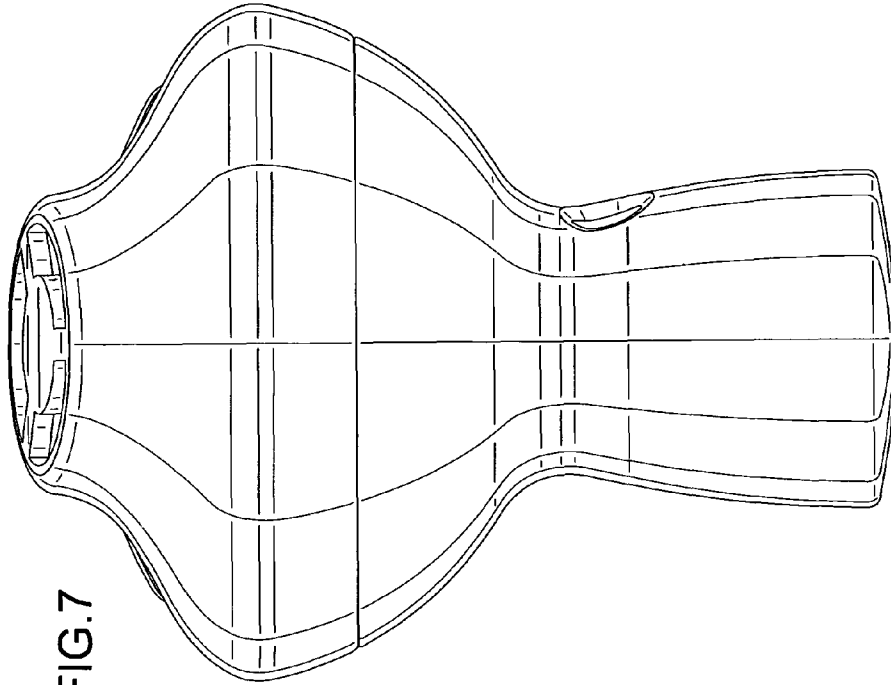


FIG. 7

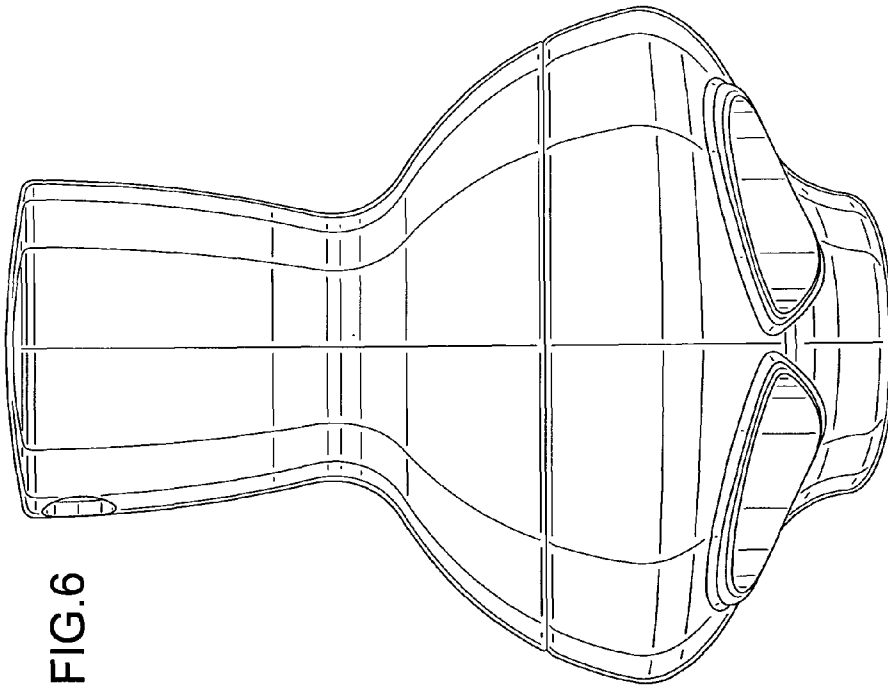


FIG. 6