

(19) World Intellectual Property Organization
International Bureau



(43) International Publication Date
24 August 2006 (24.08.2006)

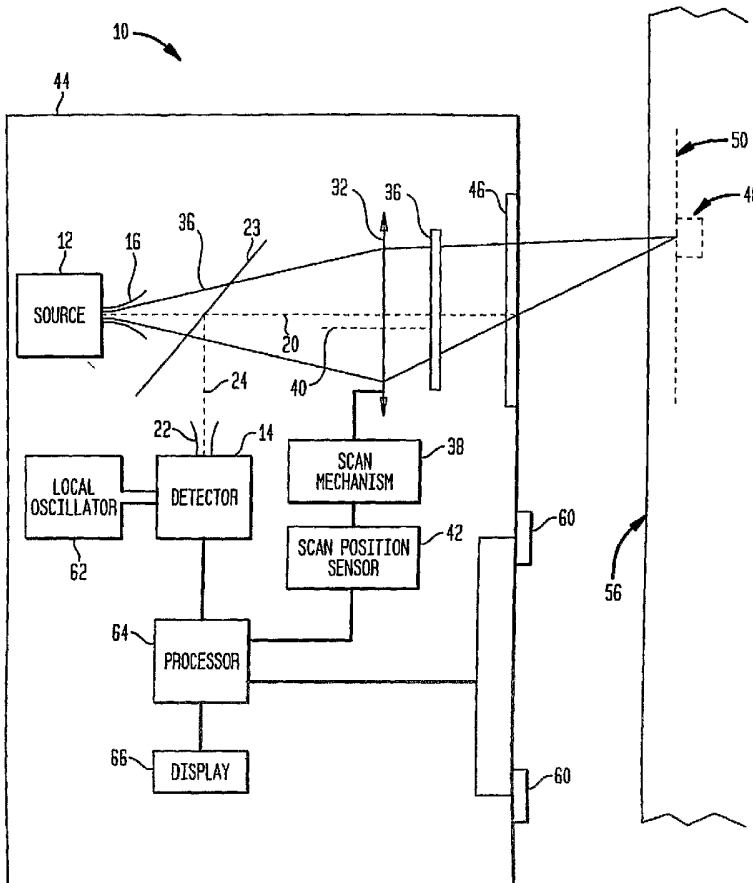
PCT

(10) International Publication Number
WO 2006/088845 A2

- (51) International Patent Classification:
G01S 13/89 (2006.01)
- (21) International Application Number:
PCT/US2006/005133
- (22) International Filing Date:
14 February 2006 (14.02.2006)
- (25) Filing Language: English
- (26) Publication Language: English
- (30) Priority Data:
60/653,228 15 February 2005 (15.02.2005) US
- (71) Applicant (for all designated States except US): **WALL-EYE TECHNOLOGIES, INC.** [US/US]; 141 Powderhouse Blvd., Somerville, Massachusetts 02144 (US).
- (72) Inventors; and
- (75) Inventors/Applicants (for US only): **HOLBROOK, David, S.** [US/US]; 262 East Street, Lexington, Massachusetts 02420 (US). **ADAMS, Christopher, P.** [US/US]; 141 Powderhouse Blvd., Somerville, Massachusetts 02144 (US).
- (74) Agents: **MOLLAAGHABABA, Reza** et al.; Nutter McClennen & Fish LLP, World Trade Center West, 155 Seaport Boulevard, Boston, Massachusetts 02210-2604 (US).
- (81) Designated States (unless otherwise indicated, for every kind of national protection available): AE, AG, AL, AM, AT, AU, AZ, BA, BB, BG, BR, BW, BY, BZ, CA, CH, CN, CO, CR, CU, CZ, DE, DK, DM, DZ, EC, EE, EG, ES, FI, GB, GD, GE, GH, GM, HR, HU, ID, IL, IN, IS, JP, KE, KG, KM, KN, KP, KR, KZ, LC, LK, LR, LS, LT, LU, LV, LY, MA, MD, MG, MK, MN, MW, MX, MZ, NA, NG, NI, NO, NZ, OM, PG, PH, PL, PT, RO, RU, SC, SD, SE, SG, SK, SL, SM, SY, TJ, TM, TN, TR, TT, TZ, UA, UG, US, UZ, VC, VN, YU, ZA, ZM, ZW.
- (84) Designated States (unless otherwise indicated, for every kind of regional protection available): ARIPO (BW, GH, GM, KE, LS, MW, MZ, NA, SD, SL, SZ, TZ, UG, ZM, ZW), Eurasian (AM, AZ, BY, KG, KZ, MD, RU, TJ, TM), European (AT, BE, BG, CH, CY, CZ, DE, DK, EE, ES, FI, FR, GB, GR, HU, IE, IS, IT, LT, LU, LV, MC, NL, PL, PT,

[Continued on next page]

(54) Title: ELECTROMAGNETIC SCANNING IMAGER



(57) Abstract: In one aspect, the present invention provides an imager, preferably portable, that includes a source of electromagnetic radiation capable of generating radiation with one or more frequencies in a range of about 1 GHz to about 2000 GHz. An optical system that is optically coupled to the source focuses radiation received therefrom onto an object plane, and directs at least a portion of the focused radiation propagating back from the object plane onto an image plane. The imager further includes a scan mechanism coupled to the optical system for controlling thereof so as to move the focused radiation over the object plane. A detector optically coupled to the lens at the image plane detects at least a portion of the radiation propagating back from a plurality of scanned locations in the object plane, thereby generating a detection signal. A processor that is in communication with the detector generates an image of at least a portion of the object plane based on the detection signal.

WO 2006/088845 A2



RO, SE, SI, SK, TR), OAPI (BF, BJ, CF, CG, CI, CM, GA, GN, GQ, GW, ML, MR, NE, SN, TD, TG).

For two-letter codes and other abbreviations, refer to the "Guidance Notes on Codes and Abbreviations" appearing at the beginning of each regular issue of the PCT Gazette.

Published:

— *without international search report and to be republished upon receipt of that report*

ELECTROMAGNETIC SCANNING IMAGER**Related Application**

5 The present invention claims priority to a provisional application entitled "Electro-magnetic Scanning Imager," filed on February 15, 2005 and having a Serial No. 60/653,228, which is herein incorporated by reference.

Background

10 The present invention relates generally to imaging systems, and methods of imaging, and more particularly, to such systems and methods that can be utilized to acquire images of objects hidden behind visibly opaque obstructions.

 A variety of conventional systems are available for obtaining images through visibly opaque materials. For example, X-ray systems have been utilized to acquire
15 images of objects that are hidden from visual inspection by visibly opaque materials (e.g., anatomical structures or objects within a luggage). X-ray systems, however, have many disadvantages. By way of example, such systems can be expensive and bulky, and can utilize ionizing radiation that may pose health hazards to humans. Moreover, X-ray systems typically detect a beam that has been transmitted through a target sample, thus
20 requiring access to both sides of the target.

 Ultrasound imaging systems, in turn, require the presence of a continuous, high quality acoustic transmission path between a transducer and a "hidden" object of interest. In many cases, however, such acoustic transmission paths may be not be available.

25 Millimeter-wave imaging systems have recently been developed for securing screening applications. Such conventional millimeter-wave systems are, however, complex, costly and bulky.

 Accordingly, there is a need for enhanced imaging systems and associated image acquisition methods for obtaining images of objects behind visibly opaque obstructions,
30 e.g., images of interiors of walls/floors/ceiling, boxes, suitcases and the like. There is also a need for such imaging systems that are field portable. Further, there is a need for such systems and methods that can be utilized for screening luggage and other containers for hazardous substances, e.g., explosive materials and devices.

Summary

The present invention generally provides imaging systems operating in a frequency range of about 1 GHz to about 2000 GHz that allow acquiring, and displaying, images of objects, and particularly of objects that are hidden from view by visibly opaque materials.

In one aspect, the present invention provides an imaging system that includes a source of electromagnetic radiation that is capable of generating radiation with one or more frequencies in a range of about 1 GHz to about 2000 GHz (one or more wavelengths in a range of about 0.015 mm to about 30 mm). The imaging system further includes an optical system that is optically coupled to the source so as to focus radiation received therefrom onto an object plane. The optical system directs at least a portion of the focused radiation propagating back from the object plane onto an image plane. A scan mechanism is coupled to the optical system for controlling thereof so as to move the focused radiation over the object plane. A detector, which is optically coupled to the optical system at the image plane, detects at least a portion of the radiation propagating back from a plurality of scanned (illuminated) locations in the object plane, thereby generating a detection signal (typically a time-varying signal). And a processor, which is in communication with the detector, generates an image of at least a portion of the object plane based on the detection signal.

The terms "object plane" and "image plane" are known in the art. To the extent that any further explanation may be needed, the term "object plane" can refer to plane – which can contain one or more surfaces (or surface portions) of one or more objects – whose image is desired. And the image plane can refer to a plane on which the image of the object plane (or a portion thereof) is formed, e.g., the surface of a detector. In some cases, the object and image planes can have not only a two-dimensional extent but also a depth, e.g., one associated with depth of focus of the radiation on the object plane.

A variety of radiation sources and detectors can be employed. Some examples of suitable radiation sources include, without limitation, Gunn oscillators, magnetrons, IMPATT diodes, Dielectric Resonator Oscillators (DROs), and MIMICs. Some examples of suitable detectors include, without limitation, various types of circuitry incorporating a non-linear device such as a schottky diode. In some cases, the radiation source and the detector are formed as a single transmit/receive module operating in the

frequency range of interest. By way of example, a Gunnplexer can function as such a transmit/receive unit.

5 In a related aspect, the imager further includes a position sensor coupled to the scan mechanism for determining a position thereof relative to a reference position. The position sensor is in communication with the processor to communicate the position of the scan mechanism, and consequently the location of the focused radiation on the object plane, to the processor. The processor, in turn, maps variations of the detection signal to one or more respective locations in the object plane from which the back-propagating
10 radiation giving rise to the detection signal originates. The processor utilizes this mapping to generate an image of at least a portion of the object plane illuminated by the radiation.

In another aspect, the imager includes a display in communication with the processor for displaying an image of at least a portion of the object plane generated by
15 the processor. By way of example, the processor can apply image drive signals to the display to cause display of a plurality of pixels, each corresponding to a location on the object plane, where the intensity of each pixel is proportional to the strength of the back-propagating radiation originating from that location.

In a related aspect, the scan mechanism can be adapted to cause the optical
20 system to generate a variety of radiation scan patterns on the object plane. Some examples of such patterns include, without limitation, a generally elliptical (e.g., circular) pattern, a spiral pattern, a floret pattern or a raster pattern.

In another aspect, the imaging system is adapted to be moved by a user so as to scan the radiation, in combination with the scan mechanism, in two dimensions in the
25 object plane. In such a case, the detection signal generated by the detector corresponds to back-propagating radiation originating from the scanned locations in the object plane. The processor maps variations of the detection signal to those scanned locations so as to generate an image of a region in the object plane, which includes those locations. Further, for each image point coordinate corresponding to one of the scanned locations,
30 the display presents, in response to image drive signals provided by the processor, a brightness proportional to a strength of the detection signal corresponding to the back-propagating radiation from that scanned location.

In a related aspect, the imaging system includes means for generating data indicative of locations and orientations of the system (e.g., relative to a reference location/orientation), as it is moved by a user (e.g., over a wall surface) and for communicating that data to the processor. Such means can include a variety of sensors, such as tracking balls with orthogonal rotation encoding devices and inertial sensors. The processor utilizes the data for mapping the detection signal to the scanned locations over the object plane.

In some cases, the processor correlates a plurality of partially overlapping image frames to form an image of a portion of the object plane. By way of example, the processor can utilize one or more pixels in an overlap region between two image frames as reference for determining relative positions of the other pixels in the two image frames. This process can be repeated for other overlapping regions so as to build an entire image.

In another aspect, the imaging system can comprise a portable housing, preferably handheld, in which various components of the system (e.g., radiation source, scanner, lens) are disposed. The imaging system can comprise an electronic processing and display module (EPDM) that includes the processor and/or the display. The EPDM can be integrated within the portable housing containing the other optical components, or can be contained within a separate enclosure that is in communication with the portable housing.

In another aspect, the imaging system comprises a focus drive mechanism coupled to the optical system for varying an axial distance between the optical system and the transmit/receive module so as to focus the radiation at a plurality of axially separated object planes. In some embodiments, the source is capable of being frequency tuned (e.g., via a tuning mechanism) so as to allow focusing the radiation via a longitudinal chromatic aberration of the optical system onto axially separated object planes.

In a related aspect, in the above imaging system, a position sensor is in communication with the focus drive mechanism for determining an axial position of the optical system relative to a reference position. The position sensor can communicate the optical system's position to the processor, which can, in turn, utilize this information to temporally correlate a detection signal at a given time to a respective object plane.

In another aspect, the imaging system includes a mechanism coupled to the source for modulating its radiation frequency. By way of example, the radiation frequency can be modulated over a range of about 24.1 GHz to about 24.2 GHz (e.g.,
5 about 100 MHz). By way of example, the modulation frequency can have an amplitude (i.e., excursion about a center frequency) that is about 1% of the center frequency.

In other aspects, a portable imager is disclosed that includes a source for generating electromagnetic radiation with one or more frequency components in a range of about 1 GHz to about 2000 GHz. The imager further includes means for directing
10 radiation from the source to an object plane and for directing at least a portion of the radiation propagating back from the object plane to an image plane. Further, the imager includes means coupled to the radiation-directing means for controlling thereof so as to scan the radiation over at least a portion of the object plane, and means for detecting radiation propagating back from a plurality of scanned locations in the object plane and
15 generating a detection signal. The imager also includes means for analyzing the detection signal so as to generate an image of at least a portion of the object plane.

In another aspect, the invention provides an imaging system that includes a handheld housing. The housing contains a source of electromagnetic radiation, a focusing system, a scan mechanism, a detector and a processor. The source is capable of
20 generating radiation with one or more frequency components in a range of about 1 GHz to about 2000 GHz. The focusing system directs radiation generated by the source onto an object plane and directs at least a portion of the radiation propagating back from the object plane onto an image plane. The scan mechanism is coupled to the focusing system for controlling thereof so as to provide a one-dimensional scan of the radiation
25 over the object plane. The detector is optically coupled to the focusing system at the image plane to detect at least a portion of the back-propagating radiation so as to generate a detection signal (e.g., a time-varying detection signal). The processor is coupled to the detector to receive the detection signal, and to analyze that signal. The housing is adapted for movement so as to scan the radiation, in combination with the
30 one-dimensional scan, over a plurality of locations in a two-dimensional region of the object plane.

In a related aspect, in the above portable imager, the processor generates an image of the two-dimensional region based on the detection signals corresponding to the scanned locations. For example, the processor maps the detection signals temporally to
5 respective scanned locations for generating the image. The imager can further include a display, mounted to the housing or remotely located, that is in communication with the processor for displaying the image.

In another aspect, the invention provides an imaging system that comprises a transmit/receive module capable of generating and detecting electromagnetic radiation
10 having one or more frequency components in a range of about 1 GHz to about 2000 GHz. An optical system is coupled to the transmit/receive module for focusing the radiation onto a focal plane and for directing a portion of the radiation propagating back from the focal plane to that module for detection. The imaging system further includes a drive mechanism coupled to the optical system for varying an axial distance of a
15 focusing element thereof relative to the transmit/receive module so as to axially vary a position of the focal plane. The transmit/receive module generates a detection signal corresponding to the radiation propagating from the varying focal plane. A processor is coupled to the transmit/receive module to analyze the detection signal for generating an image of an axial region over which the focal plane is varied.

In a related aspect, in the above imager, the position sensor is coupled to the drive mechanism for determining an axial position of the focusing element relative to a reference position. The position sensor communicates the information regarding the focusing element's axial position to the processor. The processor, in turn, analyzes the detection signal temporally as a function of the focusing element's axial position so as to
20 map the detection signal at a plurality of time intervals to the axial locations of the focal plane. The imager can also include a scan mechanism coupled to the focusing element for scanning the radiation over a surface of the focal plane substantially perpendicular to the axial direction, and a scan position sensor that can determine the position of the scan mechanism relative to a reference. The processor analyzes the detection signal
25 temporally as a function of the focusing element's axial position so as to map the detection signal at a plurality of time intervals to axial locations of the focal plane. Further, the processor can employ information from the scan position sensor to correlate detection signal originating from a focal plane to various coordinate points within that
30

plane.

In another aspect, an imaging system is disclosed that includes a housing adapted for movement over a surface located at a distance from an object plane. A
5 transmit/receive module (e.g., a Gunnplexer) disposed in the housing generates and detects electromagnetic radiation. The imaging system further includes an optical system that is optically coupled to the transmit/receive module to focus radiation received therefrom onto the object plane, and to direct at least a portion of the radiation propagating back from the object plane onto the transmit/receive module. A scanning
10 system coupled to the optical system rotates a focusing element thereof about a rotation axis, thereby moving the focused radiation over a region of the object plane. The imaging system further includes a position sensor in communication with the scanning mechanism to generate signals indicative of the position of the focusing element relative to a reference position. And a subsystem disposed in the housing generates signals
15 indicative of location of the housing on the surface as the housing is moved over that surface. By way of example, the subsystem can comprise optical or inertial sensors. The imaging system further includes a processor in communication with the transmit/receive unit, the position sensor and the location-determining subsystem, which generates an image of at least a portion of the object plane based on the detected back-
20 propagating radiation and signals generated by the position sensor and the subsystem.

In a related aspect, the imaging system can further include a display that is in communication with the processor for displaying the image. In some cases, the optical system and the scanning mechanism, as well as the processor and the display, are disposed in the same housing. In other cases, the processor and/or the display can be
25 disposed in a separate housing.

In a related aspect, the processor generates a set of image point coordinates in a coordinate space of the object plane based on signals received from the position sensor coupled to the focusing element and the location-determining subsystem. Further, the processor applies a plurality of image drive signals to the display to effect the display of
30 an image corresponding to those image point coordinates. The processor generates each image drive signal based on a strength of the detected back-propagating radiation originating from a location on the object plane corresponding to one of the image point coordinates. Each image drive signal, in turn, causes the presentation of an image point

on the display, where the image point exhibits a brightness corresponding to the strength of the detected signal associated with a respective image point coordinate. The location of a displayed image point in the display is based on the position of the focusing element and the location of the housing at a time when back-propagating radiation originating from an object plane location corresponding to that image point is detected.

In a related aspect, the focusing element in the above imaging system comprises a diffractive optical element. In some cases, the diffractive optical element can comprise diffractive zones that are disposed about an optical axis that is offset from the element's rotational axis, which can be substantially centered relative to the emitting aperture of the transmit/receive module. A variety of diffractive optical elements can be employed, such as amplitude zone plates and phase zone plates. While in some cases, the optical and rotational axes of the focusing element are substantially parallel, in other cases, they can intersect at the aperture of the transmit/receive module.

In a related aspect, the emitting aperture of the transmit/receive module, the focusing element, and the focused radiation in the object plane generated by the focusing element are disposed in a confocal configuration.

In another aspect, the transmit/receive module comprises a frequency-modulating subsystem for modulating the frequency of the emitted radiation in response to a control signal.

In other aspects, an imaging system is disclosed that includes a transmit/receive module for generating and detecting electromagnetic radiation. The system further includes a telecentric lens system that receives and focuses the radiation onto an object plane. The lens system can comprise an eccentric rotatable lens disposed at a selected distance from a fixed lens. Further, the lens system directs radiation propagating back from the object plane onto the transmit/receive module for detection. A scanning mechanism is coupled to the rotatable lens for rotating the lens about a rotation axis, thereby moving the focused radiation in the object plane. The imaging system further includes a processor coupled to the transmit/receive module for generating an image of at least a portion of the object plane, which is illuminated by the radiation, based on the detected back-propagating radiation.

In a related aspect, the eccentric lens is disposed at a distance substantially equal to its focal length from the emitting aperture of the transmit/receive module. The eccentric lens collimates radiation received from the transmit/receive module and directs the collimated radiation along an off-axis direction to the fixed lens. The fixed lens, in turn, focuses the off-axis radiation onto the object plane.

In another aspect, the invention provides a method of imaging that includes providing a source of electromagnetic radiation that is capable of generating radiation with one or more frequency components in a range of about 1 GHz to about 2000 GHz. The radiation is focused from the source onto an object plane, and the focused radiation is scanned over at least a portion of the object plane. At least a portion of the radiation propagating back from the object plane is detected, thereby generating a detection signal, which is typically a time-varying signal. The detection signal is analyzed to form an image of the scanned portion of the object plane. The image can then be displayed.

Further understanding of various aspects of the invention can be obtained by reference to the following detailed description, in conjunction with the associated drawings, which are described briefly below.

Brief Description of the Drawings

20

FIGURE 1 schematically depicts an imaging system according to one embodiment of the invention,

FIGURE 2 schematically illustrates a wire grid polarizer suitable for use in the imaging system of FIGURE 1 and other embodiments of the invention,

25

FIGURE 3 schematically depicts a Fresnel lens having a plurality of diffractive zones,

FIGURE 4 is a top schematic view of a Binary Fresnel Lens (BFL) suitable for use in the imaging system of FIGURE 1 as well as other embodiments,

30

FIGURE 5 is a perspective schematic view of a quarter-wave plate (QWP) suitable for use in the imaging system of FIGURE 1 as well as other embodiments,

5 FIGURE 6 schematically depicts a scanning mechanism suitable for rotating the lens of the imaging system of FIGURE 1 as well as lenses utilized in other embodiments,

10 FIGURE 7 schematically illustrates a circular scan pattern of radiation directed by an embodiment of an imaging system according to the invention onto an object plane,

15 FIGURE 8 schematically depicts a swath over an object plane illuminated by radiation from an imager according to an embodiment of the invention via rotation of a lens and concurrent translation of the imager over a surface substantially parallel to the object plane,

20 FIGURE 9 schematically illustrates that in some embodiments an imager according to teachings of the invention is operated at a selected tilt angle relative to a scanning plane over which it is translated,

FIGURE 10 schematically depicts a method of correlating pixels from a plurality of image frames acquired by an imager of the invention to build up an entire image,

25 FIGURE 11 schematically depicts a front view of an imager according to an embodiment of the invention having a display in which an image acquired by the imager is presented,

FIGURE 12 schematically depicts an imager according to another embodiment of the invention,

30 FIGURE 13A schematically depicts a Gunnplexer suitable for use as a transmit/receive unit in an imager of the invention,

FIGURE 13B schematically depicts further details of the Gunnplexer shown in FIGURE 13A,

5 FIGURE 14 schematically depicts the transmit/receive unit as well as the lens of the embodiment of FIGURE 12, illustrating that the rotation axis of the lens is offset relative to its optical axis,

10 FIGURE 15 is a schematic view of an imager according to an embodiment of the invention operating in a snapshot mode,

15 FIGURE 16A schematically illustrates a spiral radiation pattern generated by some embodiments of the invention for illuminating an object plane in order to acquire a two-dimensional image thereof,

 FIGURE 16B schematically depicts a floret radiation pattern generated by some embodiments of the invention for illuminating an object plane in order to acquire a two-dimensional image thereof,

20 FIGURE 16C schematically depicts a raster radiation pattern generated by some embodiments of the invention for illuminating an object plane in order to acquire a two-dimensional image thereof,

25 FIGURE 17 schematically depicts a mechanism for two-dimensional scanning of a radiation beam, which is suitable for use in some embodiments of the invention,

 FIGURE 18 schematically depicts an imager according to another embodiment of the invention capable of generating images of a plurality of axially separated object planes,

30 FIGURE 19 schematically illustrates a lens focus-drive mechanism suitable for use in the embodiment of FIGURE 18,

FIGURE 20 schematically depicts an imager according to another embodiment of the invention that utilizes chromatic aberration of a lens for focusing radiation on a plurality of axially separated object planes,

5

FIGURE 21 schematically illustrates an imager according to another embodiment of the invention that employs a telecentric arrangement of optical components for acquiring an imager, and

10 FIGURES 22A-22E show test images obtained by utilizing a prototype image constructed in accordance with the teachings of the invention.

Detailed Description

FIGURE 1 schematically depicts an imager 10 (also referred to herein as a camera) according to one embodiment of the invention having a source 12 and a detector 14 for generating and detecting radiation, respectively. In this exemplary embodiment, the radiation source 12 is capable of generating radiation having one or more frequencies in a range of about 1 to about 2000 GHz, and preferably in a range of about 2 GHz to about 100 GHz. In many embodiments, one or more radiation frequencies are selected such that the radiation can penetrate an obstruction (e.g., a wall) that is generally opaque to visible radiation. Some examples of suitable radiation sources include, without limitation, Gunn oscillators, magnetrons, IMPATT diodes, Dielectric Resonator Oscillators (DROs), MIMICs, or other suitable radiation sources. A horn antenna 16 is coupled to the source so as to facilitate coupling the radiation generated by the source into free space (e.g., by providing a better impedance match) for propagation to an object to be imaged, as discussed further below. In this embodiment, the source, in conjunction with the horn, generates a diverging cone of radiation beam 18 disposed about a propagation axis 20 (herein also referred to as a rotational axis). Similar to the source, a horn 22 is coupled to the detector to facilitate coupling of radiation into the detector. In general, the combination of the detector 14 and its associated horn 22 is capable of receiving radiation beams disposed about a detector axis 24 with a given angular distribution that depends at least in part on the horn geometry.

30

In this embodiment and some that follow, without any loss of generality, the functioning of the imagers according to the teachings of the invention are discussed by considering acquiring images within a depth of a wall (or other obstructions) that is
5 opaque to visible radiation. Such imagers can, however, be also utilized to acquire images of other objects. For example, the imaging systems of the invention can be utilized to image objects within containers.

The source 12 and the detector 14 are disposed on opposite sides of a beam splitter 23 such that the propagation axis 20 associated with the source and the detection
10 axis 24 associated with the detector typically intersect at an approximately 90-degree angle. The beam splitter 23 is perpendicular to a plane formed by the propagation and the detection axes and is oriented such that a normal to its surface bisects the angle between those axes, e.g., it typically forms a 45-degree angle with each of those axes. The radiation emitted by the source passes through the beam splitter to be directed by
15 other optical components onto a region of interest, as discussed below.

By way of example, the beam splitter 23 can be preferably implemented as a polarizing beam splitter having a polarization axis that is preferably oriented either parallel or perpendicular to a plane defined by the propagation and detection axes. In some embodiments, a so-called wire grid polarizer (WGP) is employed, which can be
20 made, e.g., of a one-dimensional array or grid of very fine parallel electrically conductive elements disposed upon a suitable transparent base material or, e.g., by a grid of fine parallel wires strung on a frame. By way of example, FIGURE 2 schematically depicts a wire grid polarizer 26 formed of a plurality of aluminum strips 28 disposed over a dielectric substrate 30 (e.g., a Teflon™ substrate). The spacing between adjacent
25 parallel conductive elements is selected to be considerably less than the radiation wavelength generated by the source 12. This allows the component of the radiation having an electric field vector parallel to the grid elements to be reflected by the polarizer and the component having an electric field vector perpendicular to the grid elements to be transmitted through the polarizer. In this exemplary embodiment, each
30 strip can have a width in a range of about 1/100th wavelength to about ¼ wavelength, e.g., about 2 millimeters, and can be separated from an adjacent strip by a spacing in a range of about 1/100th wavelength to about ¼ wavelength, e.g., about 2 millimeters.

Referring again to FIGURE 1, the imager 10 further includes a lens 32 that receives the radiation emitted by the source 12 after its passage through the polarizer 23. The lens 32 can have, e.g., a receiving cone of the order of $f/1$ or narrower. By way of example, the lens 32 can be a decentered optical element configured to operate, e.g., at approximately unity magnification. In some embodiments of the invention, the lens can be a diffractive lens having a diffractive pattern whose symmetry axis (optical axis) is laterally offset from its physical symmetry axis. For example, the lens can be a Binary Fresnel Lens (BFL) whose optical axis is offset laterally from its physical symmetry axis. As shown schematically in FIGURE 3, an exemplary Fresnel lens 34 can include a plurality of diffractive zones 34a separated from one another by steps at each of which a phase discontinuity is generated in a manner that results in coherent interference of radiation passing through the different zones at a focal plane of the lens. In other words, the surface shape of a Fresnel lens can be viewed as a piece-wise approximation to the surface shape of a conventional refractive lens, e.g., such as that depicted by dashed lines. Further, a BFL can be viewed as a Fresnel lens in which each section of the approximation is further approximated by a staircase profile.

In some embodiments of the invention, the BFL includes four steps each providing a $1/4$ -wave phase delay. By way of example, FIGURE 4 schematically depicts a BFL 35 suitable for use in various embodiments of the invention having a plurality of diffractive zones 35a disposed about an optical axis that is laterally offset from its physical center. In other words, an axis of symmetry of the diffractive pattern (perpendicular to the plane of the drawing at point B) is separated by a selected offset D from a physical symmetry axis of the lens (perpendicular to the plane of drawing at point A). In some embodiments, the BFL includes a diameter R (e.g., about 8 inches) and a focal length in a range of about 2 inches (about 5 cm) to about 10 inches (about 25 cm), e.g., about 8 inches (about 20.3 cm), with an optical axis offset in a range of about 1 inch (about 2.5 cm) to about 3.5 inches (about 8.9 cm), and more preferably about 2 inches (about 5 cm). As discussed in more detail below, the offset between the physical and the optical axis of the BFL 35 allows scanning the focal point of the lens about a generally elliptical path (e.g., a circular path) by rotating the lens about its physical axis.

Referring again to FIGURE 1, in this exemplary embodiment, the imager 10 further includes a ¼-wave plate (QWP) 36 that is adapted to operate in a frequency range of interest (e.g., in a frequency range of about 1 GHz to about 2000 GHz). The QWP 36 is disposed in the path of the radiation between the polarizing beam splitter and an object to be imaged. While in this embodiment the QWP is placed between the lens and a wall 56, in other embodiments, the QWP can be disposed between the polarizing beam splitter and the lens, typically closer to the beam splitter at a location where the radiation beam diameter is relatively small.

In some embodiments, the QWP 36 can be implemented as a grooved dielectric plate, such as that schematically depicted in FIGURE 5. For example, the QWP 36 can be fabricated by machining a plurality of grooves on a dielectric plate (e.g., a Teflon™ plate). The plate can have a thickness in a range of about 5 millimeters to about 80 millimeters, and the grooves can have a depth in a range of about 4 millimeters to about 70 millimeters and a width in a range of about $1/100^{\text{th}}$ wavelength to about $1/4$ wavelength of the radiation. Further, the center-to-center spacing between adjacent grooves can be in a range of about 0.1 millimeters to about 3 millimeters. The theory of operation of QWPs suitable for use in the frequency range of interest and typical techniques for their fabrication are described in an article entitled "A high precision quasi-optical polarizer for Zeeman splitting observation," by J. W. Lamb, M. Carter, and F. Mattiocco, published in Int. J. Infrared and Millimeter Waves, vol. 22, No. 5 (May 2001), incorporated herein by reference.

In this exemplary embodiment, the QWP 36 is disposed perpendicular to the propagation axis of radiation from the source 12 with its fast axis preferably oriented at +/- 45 degrees from the plane of polarization of the outgoing radiation. As is well known in the art, linearly polarized radiation passing through a QWP oriented in this manner emerges from the QWP as substantially circularly polarized.

The imager 10 further includes a scan mechanism 38 coupled to the lens 32 for rotating the lens about its rotation axis (herein also referred to as the lens's physical axis). The lens is preferably disposed relative to the source such that its rotation axis is substantially coincident with the propagation axis of the outgoing radiation. As noted above, an optical axis 40 of the lens is displaced from its rotation axis by a predetermined distance, e.g., by about $1/2$ of the radius of the lens. The optical axis of

the lens can be parallel to its rotation axis, or alternatively, it can intersect the rotation axis at the emitting aperture of the source. As discussed in more detail below, the rotation of the lens 32 allows scanning the radiation at the focal plane of the lens over a path in an object plane.

5 A variety of scanning mechanisms can be utilized in the practice of the invention. For example, referring to FIGURE 6, a rotating shaft 33, which is driven by a motor 33a, can be coupled to the lens to cause the lens to rotate. Referring again to FIGURE 1, in many embodiments, the imager further includes a lens scan position
10 sensor 42 for indicating an angular rotation of the lens about the rotation axis relative to a predetermined reference. A variety of commercially available sensors can be employed. For example, optical sensors can be utilized to determine the angular position of the lens. An example of a suitable sensor is a shaft encoder that can provide information regarding angular position of a rotating shaft (such as the rotating shaft
15 depicted in FIGURE 6) to which the lens is coupled. In some embodiments, the lens scan mechanism 38 causes the lens to rotate at a substantially constant angular velocity with the scan position sensor 42 sensing the lens's angular position once, or more, per revolution using, e.g., a magnet on the edge of the lens and a fixed Hall effect sensor.

In this exemplary embodiment, various components of the imager, such as those
20 discussed above, are disposed in a portable, preferably handheld housing 44. An optional window 46 (e.g., formed of a material transparent at the operating wavelength) is coupled to the housing 44 through which the radiation generated by the source can be transmitted to illuminate interior portions of the wall, as discussed further below. In other embodiments, no window is provided.

25 In operation, the lens 32 directs radiation generated by the source 12, after its passage through the beam splitter 23, via the QWP 36 and the window 46 into the interior of a wall (or other obstruction, or a region behind such an obstruction) to illuminate portions thereof, such as the object region 48. Preferably, the lens 32 forms an image of the source so as to create an illuminating focused point (e.g., an area of
30 maximal radiation intensity) at a distance from the lens that is less than infinity and more than one focal length of the lens. In many embodiments, the radiation from the imager is focused onto an object plane (e.g., object plane 50) within the wall, and the radiation returning from that object plane is detected and analyzed to form an image thereof, as

discussed in more detail below. In general, the object plane 50 has an axial extension (a depth) corresponding to the axial extension of the focal volume, as schematically illustrated by volume 48, which represents a portion of the object plane.

5 In this exemplary embodiment, the lens 32 is placed at a distance from the source substantially equal to twice its focal length, thereby forming an image of the source at a distance of approximately two focal lengths from the lens. Accordingly, the image is displaced radially from the rotation axis by twice the displacement of the lens's optical axis from the rotation axis. As shown schematically in FIGURE 7, in this embodiment,
10 as the scanner rotates the lens about its rotation axis, the illuminating point of radiation 52 sweeps out a circular path 54 around the rotational axis in the object plane 50 (FIGURE 1). As the imager is translated laterally along an external wall surface 56 (see FIGURE 1), e.g., by a user or an automated mechanism, the scan pattern of the illuminating radiation, generated by combined rotation of the lens and translation of the
15 imager, covers a swath 58 on the object plane, as shown in FIGURE 8.

In some embodiments, it is preferable to operate the imager with a small tilt angle (e.g., approximately 7 degrees) between a scanning plane (e.g., a plane perpendicular to the lens's rotation axis) and a translation plane (i.e., the plane over which the imager is translated to build up an image of an area). For example, as shown
20 schematically in FIGURE 9, the imager 10 can be tilted by an angle (θ) relative to the wall surface 56 as it is translated along the wall. The tilt angle can be in or against direction of the translation. The use of such a tilt can increase the number of "look angles" the scanner produces (in the tilt plane), thereby increasing the probability of receiving a strong specular reflection from an illuminated object. In some embodiments,
25 such a tilt is built in the imager, e.g., by disposing the imager's optical components at a selected tilt angle relative to its housing.

Referring again to FIGURE 1, in many embodiments, the imager 10 further includes a plurality of sensors 60 coupled to its housing 44 for indicating the displacement of the housing relative to the wall surface 56 on which the imager is
30 translated so as to obtain an image of an interior portion of the wall. Preferably, the imager can include at least two such location sensors physically separated such that each sensor would measure displacement of the housing relative to a starting reference along one of two orthogonal coordinate axes (e.g., two orthogonal Cartesian coordinates). In

5 general, the displacement of the imager can be obtained by determining three degrees of freedom (e.g., two translational and a rotational degree of freedom). Each sensor can provide independent data regarding two degrees of freedom, and hence the combined data from two sensors is sufficient for determining three degrees of freedom associated with the translation of the imager over the wall. A variety of location sensors can be employed. By way of example, in some embodiments, each location sensor can be implemented as a tracking ball with orthogonal rotation encoding devices similar in design and construction to a computer mouse. In other embodiments, inertial sensors can be utilized. It should be understood that location sensors suitable for use in the practice of the invention are not limited to these examples, and other sensors (e.g., a variety of optical sensors) known in the art can also be employed.

10 As noted above, the combined rotation of the lens and the translation of the imager over the wall surface results in illuminating various locations within the interior of the wall. As the illuminating radiation impinges on an object that is not transparent to the radiation, e.g., a metal pipe and/or electrical wiring within the wall, at least a portion of the radiation is reflected or scattered. In the frequency range of about 1 to about 2000 GHz, most objects specularly reflect, rather than scatter, the radiation. Hence, at least some of the radiation incident on such objects within the wall is reflected back towards the imager, e.g., depending on the "look angle" of the illumination and a normal to the reflecting surface at the point of illumination. The lens collects this back-propagating radiation (or at least a portion thereof), after its passage through the QWP 36, and directs that radiation, as a converging radiation beam, to the beam splitter 23. As is known in the art, the passage of the returning radiation, which is circularly polarized (or at least substantially circularly polarized, as the reflection of the incident radiation may have cause some change in the polarization) through the QWP results in conversion of its polarization to linear polarization with a polarization axis normal to that of the linearly polarized radiation generated by the source. As such, the beam splitter directs this linearly polarized back-propagating radiation to the detector 14. In this embodiment, the detector 14 operates in heterodyne mode, that is, it mixes the returning radiation with radiation from a local oscillator 62 to generate an intermediate frequency (IF) electrical signal whose strength is proportional to the intensity of the returning radiation and whose lower frequency can be more readily processed by electronics circuitry. A

variety of detectors and local oscillators can be employed. For example, in some embodiments, a receive diode of a Gunnplexer can be employed as the detector. In some other embodiments, a small portion of the transmit oscillator power can act as an oscillator for the receiver. In such a case, a single oscillator can be used for microwave emission as well as detection.

The detector 14 transmits the electrical signal generated in response to detection of the returning radiation to a digital data processor 64. The digital data processor is also in communication with the scan position sensor 42 and the location sensors 60 to receive information regarding, respectively, the angular rotation of the lens (herein also referred to as $A(t)$) and the location of the imager on the wall surface (herein also referred to as $P_1(t)$ and $P_2(t)$, where $P_1(t)$ denotes the information from the first location sensor 60 and $P_2(t)$ denotes the information from the second location sensor 60). The digital data processor employs the received data to map the time-varying detection signal to a plurality of respective locations on the object plane from which the back-propagating radiation originates. More specifically, the electrical signal, herein also referred to as $I(t)$, is typically a time-varying signal whose strength at any instant is proportional to the intensity of the returning radiation detected by the detector 14 at that time. The intensity is related to the reflecting properties of the object that is at that time at the location where the illuminating radiation is directed. It will be understood by those familiar with the art of scanning image sensing that signal $I(t)$ varies as a function of time because the lens is scanning the radiation in time over the object space. That is,

$$I(t) = I[x(t), y(t)],$$

where $x(t)$, and $y(t)$ define the instantaneous position of the illuminating radiation in the object plane. In the remaining equations, the time dependence is dropped for convenience.

Digital data processor 64 transforms/inverts, and combines, the measurement A , $P_1(x,y)$, and $P_2(x,y)$ to generate x and y . In the exemplary embodiment of FIGURE 1, location sensors 60 measure the rigid body x - and y -displacement of the imager body relative to an arbitrary starting location and the scan position sensor measures the angular position of the lens, known to be offset from the axis of rotation by a fixed

distance (e.g., d) relative to the frame of reference of the imager housing. This can be expressed as:

5
$$X_r = d \cos(A), \text{ and}$$

$$Y_r = d \sin(A)$$

10 where X_r and Y_r are the x and y coordinates of the lens relative to the axis of rotation in the frame of reference of the imager housing, and d is the off-axis distance to the imager spot.

Similarly, X_h , Y_h , and θ_z coordinates of the imager housing can be calculated from P_1 and P_2 , where it is understood each of P_1 and P_2 comprises an x - and a y -measurement ($x_1, y_1; x_2, y_2$). For example, if the location sensor P_1 is selected as the housing reference point, then

15
$$X_h = x_1,$$

$$Y_h = y_1, \text{ and}$$

$$\theta_z = \arctan\left[\frac{y_2 - y_1}{x_2 - x_1}\right] - \theta_0$$

20 where θ_0 is the initial angle relative to the x -axis passing through P_1 of the line connecting P_1 with P_2 .

25 Finally, the position of the imaging spot can be calculated by adding the following three vectors: (1) a vector representing the rigid body displacement of the housing, (2) the position of the axis of rotation relative to the housing reference point, and (3) the displacement of the image point due to the angular rotation of the lens. More specifically, x and y can be obtained by employing the following relations:

30
$$x = x_1 + D[\cos\theta_z \cos\theta_0 - \sin\theta_z \sin\theta_0] + d \cos A, \text{ and}$$

$$y = y_1 + D[\cos\theta_z \sin\theta_0 + \sin\theta_z \cos\theta_0] + d \sin A,$$

where D is the distance between P_1 and the axis of rotation.

The processor 64 is also adapted to generate image position drive signals suitable for application to an image display 66. The image position drive signals cause the display of a plurality of image points, each having a brightness that corresponds to the detected signal strength from a respective coordinate point in the object plane. In operation, a complete image is built up on the imaging display 66 as the imager's housing is moved over the wall surface (or in proximity thereof) while the imager's lens is rotated to scan the beam over an interior swath of the wall.

In some embodiments, relative locations of the pixels in an image obtained by combined rotation of the lens and translation of the imager are determined by acquiring a plurality of partially overlapping image frames, and tracking one or more pixels in the overlap regions. By way of example, FIGURE 10 schematically depicts two image frames 11 and 13 that include an overlap region 15. At least one of the pixels in the overlap region (e.g., pixel A first observed in the image frame 11 and then repeated in a subsequent image frame 13) can then be utilized as a reference pixel to determine the relative locations of other pixels in the image frame 11 (e.g., pixels C, D and E) to those in image frame 13 (e.g., pixels F, G, H and I). The same process can be repeated for another image frame (not shown) that partially overlaps the image frame 13. In this manner, the relative locations of pixels in an image constructed by assembling a plurality of image frames can be determined.

By way of example and only for illustrative purposes, FIGURE 11 schematically depicts an exemplary image 68 of an interior portion of the wall scanned by the imager 10, which is presented in the imager's display 66. This exemplary image depicts a pipe 70 and a plurality of electrical wires 72 disposed within a depth of the wall. The imager can also provide images of other objects within the wall, such as, termites, water leaks, etc. In fact, any object that is sufficiently reflective (or scattering) at the interrogating radiation wavelengths can be imaged.

Although in the above embodiment, the processor 64 and the display 66 are housed within a single housing with the other components of the imager, in other embodiments, the processor and/or the display can be disposed in a separate housing. In embodiments in which the processor/display are disposed in a separate enclosure, one or more communications channels can be provided to allow the processor and/or display to communicate with one or more imager components disposed in another enclosure. In

some cases, the communications channels employ wireless channels that utilize known wireless protocols.

5 The implementation of an imager according to the teachings of the invention is not limited to the embodiment described above. In fact, such as imager can be implemented in a variety of different ways. For example, FIGURE 12 schematically depicts an electromagnetic scanning imager 74 according to another embodiment of the invention that includes a head 76 containing a source of electromagnetic radiation 78 capable of generating radiation with one or more frequency components in a range of
10 about 1 GHz to about 2000 GHz. In this embodiment, the source is combined with a detector of electromagnetic radiation capable of detecting radiation having the same frequency as that generated by the source. Such combined source/detector units are known the art, and are commonly referred to as transmit/receive (or transceiver) units. As shown schematically in FIGURES 13A and 13B, an example of a suitable
15 transmit/receive unit is a Gunnplexer 80, which includes a Gunn diode 82 for generating radiation (it functions as the transmitter of the unit) and a receiver diode 84 for detecting the radiation (it functions as the receiver of the unit). A circulator 86 (e.g., a ferrite circulator) isolates the transmitter and receiver functions. A horn 88 facilitates coupling of radiation out of and into the Gunnplexer. The Gunnplexer can further include a
20 tuning varactor diode 90, typically mounted close to the Gunn diode, for electrically varying (tuning) the outgoing radiation frequency. For example, the varactor can deviate the fundamental frequency (e.g., by about 60 MHz) when a proper tuning voltage is applied thereto. Gunn diode oscillators, which convert dc signals to RF energy, are available, e.g., at specific preset operating frequencies. The Gunnplexer can
25 also include a Schottky mixer (not shown). The Gunn diode can function simultaneously as a transmitter and a local oscillator with a portion of its energy – in one configuration approximately 0.5 mW – being coupled to the mixer. The mixer can provide an intermediate frequency (IF) output that can be amplified by an IF pre-amplifier 81 and an IF amplifier 83.

30 Referring again to FIGURE 12 as well as FIGURE 14, similar to the previous embodiment, the imager 74 further includes a lens 92 that is optically coupled to the transmit/receive unit 78 to form an image of the radiation generated by that unit in the general vicinity of an object region 94 of interest, which is typically located behind a

visibly opaque material 96, e.g., the surface of a wall, floor or a ceiling. The lens 92 can be a transmissive, diffractive element (e.g., a zone plate) disposed relative to the source at a distance, e.g., greater than – but typically less than three times – its focal length.

5 Generally, the lens 92 forms an image of the transmit/receive unit (an image of radiation generated by that unit) at a distance of less than infinity and more than one focal length from the lens, on the side of the lens away from the source. Alternatively, the lens can be reflective zone plate, in which case the image of source generated by the lens and the source itself are on the same side of the lens. As known in the art, a zone plate can be
10 implemented as a magnitude zone plate (i.e., alternating regions of high transmission/reflection and regions of low transmission/reflection), or as a phase zone plate (e.g., alternating regions imparting zero or 180 degrees of relative phase shift to incident radiation).

The lens 92 is rotated about a rotation axis (illustrated as RA) by a scan
15 mechanism 108, such as those discussed above in connection with the previous embodiment. Similar to the previous embodiment, an optical axis (OA) of the lens 92 is displaced relative to its rotation axis by a selected distance, e.g., about one-half the lens's radius. The rotation axis is generally centered on the emitting aperture of the transmit/receive unit 78 parallel to general direction of propagation of the radiation
20 (parallel to the central ray of a cone-like bundle of rays). The optical axis can be parallel to the rotation axis, or may form a non-zero angle with the rotation axis so as to intersect that axis at the emitting aperture of the transmit/receive unit. The rotation of the lens causes the image of the source, generated by the lens, to scan a selected path (e.g., a generally circular path) over an object plane, in a manner similar to that discussed above
25 in connection with the previous embodiment.

In some embodiments, the emitting aperture of the transmit/receive unit 78, the lens 92, and the image of the emitting aperture are preferably disposed in a confocal configuration. That is, the illuminating radiation is focused onto a small region in a plane of interest (e.g., the object plane), and the reflected (or scattered) radiation
30 reaching the detector (the transmit/receive module in this case) is limited to those rays that originate from the illuminated region. In some embodiments, such a confocal imaging system is employed to reject stray light by utilizing, for example, two strategies: (1) by illuminating a single point (small area) at any given time with a focused beam

such that the focused intensity drops off rapidly at axial locations away from that plane of focus (e.g., in front or behind that plane), and (2) by utilizing a blocking or a pinhole aperture, or a point detector, in a conjugate receiver plane so that light reflected (or
5 scattered) from the illuminated object region is blocked from reaching the detector.

With continued reference to FIGURES 12 and 14, the combined rotation of the lens and translation of the imager's head over a surface of the obstruction 96 (e.g., a wall) can result in illuminating a region of interest behind the surface (e.g., an interior region of a wall). At least a portion of the illuminating radiation is reflected (or
10 scattered) back toward the lens. The lens collects the radiation propagating back (e.g., via reflection) from the illuminated region and focuses the collected radiation onto the transmit/receive unit 78, which, functioning as a detector, converts the back-propagating radiation into an output electrical signal.

The output electrical signal is communicated, e.g., via a communication channel
15 100, to an electronic processor 102 (e.g., a digital data processor), disposed in an electronic processing and display module (EPDM) 104. While in this embodiment the EPDM is contained in a separate housing, in other embodiments, it can be integrated with the head 76 within a single housing. The processor 102 includes a signal processing module that is adapted to convert the output signal generated by the
20 transmit/receive unit 78 into image strength drive signals suitable for application to an image display 106.

In addition to communicating with the detector, the processor 102 is also electrically coupled to a scan position sensor 110, e.g., via a communications channel
25 112, that can sense the position of the scan mechanism, and thereby that of the lens 92, relative to a predetermined reference position. A variety of scan position sensors, such as those discussed above, can be employed. The position sensor communicates the information regarding the position of the lens to the processor.

Similar to the previous embodiment, the imager 74 further includes a body location-determining subsystem 114 for determining the rigid body location of the head
30 76 on a surface (e.g., wall surface) over which it is moved to build up an image of a region behind the surface. The subsystem 114 can be in optical and/or mechanical communication with a surface over which the imager is translated. Typically, the subsystem 114 estimates the location and orientation of the head 76 via three parameters

“ X_h ”, “ Y_h ” and “ θ_z ”, where X, Y and Z denote orthogonal Cartesian coordinates. The X and Y denote coordinates in a plane (e.g., a planar surface of a wall over which the head is translated) and θ_z denotes an angle about the Z-axis that is perpendicular to that plane. By way of example, the origin of the coordinates can be established as the location and orientation of the imager upon its initial placement on the plane. This can be done automatically or by a user-issued command (which can also be employed to reset the location of the origin, if desired). The location-determining subsystem can then determine subsequent locations and orientations of the imager relative to the origin. A number of location-determining subsystems can be utilized. For example, in some embodiments, the subsystem can comprise two computer-mouse sensing mechanisms, separated by a known base line. Alternatively, the subsystem can be implemented by employing a plurality of inertial sensors.

The location-determining subsystem 114 transmits signals indicative of the location of the imager's head to the processor 102, e.g., via a communications channel 116. The processor utilizes these signals, together with those transmitted by the lens position sensor, to generate a set of image point coordinates in the coordinate space of the object region. The processor further correlates these image coordinates to the time-variation of the signal received from the detector to generate a reflectance image of the illuminated portion. In addition, the processor derives image position drive signals, based on the image coordinates and intensity of reflected signals originating from those coordinates, for application to the display 106. The image drive signals cause the display to present an image in which the brightness of an image point corresponds to the intensity of the detected reflected radiation originating from a coordinate point (e.g., an area or voxel in vicinity of that point) mapped to that image point.

In some embodiments, the frequency of the radiation generated by the source (e.g., the above transmit/receive unit 78) is modulated by a control signal. For example, in the above Gunnplexer 80 (FIGURE 13A), the varactor 90 can be employed to cause such a frequency modulation. For example, the frequency can be modulated rapidly (e.g., at a rate of 100 kHz) over a relatively narrow range (e.g., 1% of the center frequency) to suppress coherent echoes, interference and/or speckle noise. Typically, the focal distance of the imager can represent about 100 waves and the reflected intensity is acquired at a rate of, e.g., 5 kHz. In such a case, the frequency of the

radiation generated by the Gunnplexer can be modulated by about 1% at a rate of about 100 kHz to introduce a one-wave phase shift as each image pixel is acquired. Intensity integration during this phase shift can significantly reduce coherent artifact noise. It should be appreciated that other frequency modulation parameters can also be utilized based on the requirements of a particular application.

Snapshot Embodiments

In some embodiments, the imager can provide an image of a two-dimensional area while the imager (e.g., imager housing) remains stationary (i.e., without the need to physically move the imager). One such exemplary embodiment 118 shown in FIGURE 15 includes a transmit/receive unit 120 for generating and detecting radiation, which preferably operates in a frequency range of about 1 GHz to about 2000 GHz. A lens 122 optically coupled to the transmit/receive unit receives the radiation and focuses it into an object region 124 whose image is desired. In some cases, the object region can be visibly hidden from view by an opaque obstruction, e.g., a wall portion.

A scan mechanism 126 scans the radiation, which is directed by the lens to the region 124, over a plurality of locations in that region. The lens and the scan mechanism can be configured to produce a plurality of radiation scan patterns to cover (illuminate) at least a portion, e.g., an object plane 124a, within the region 124. The scan mechanism typically moves the radiation within a plane (e.g., a plane perpendicular to the lens's optical axis) so as to generate a desired radiation scan pattern. By way of example, FIGURE 16A, 16B, 16C depict, respectively, a spiral, a floret and a raster scan pattern suitable for use in the practice of the invention. The spiral and the floret patterns can be generated, for example, by a combined rotation and radial motion (i.e., motion perpendicular to the optical axis) of the lens. The raster pattern can be formed, in turn, by combination of two linear and orthogonal motions of the lens. In each case, the focused beam size (e.g., shown schematically by dashed lines in FIGURES 16A-16C) can be selected such that the radiation scan causes illumination of a two-dimensional area of interest.

By way of example, FIGURE 17 schematically depicts a radiation scan mechanism 200 optically coupled to the source for providing a two-dimensional radiation scan. The mechanism 200 includes two rotating reflective elements 201 and

- 27 -

202 that are configured to rotate about two orthogonal axes (depicted schematically as axes A and B). The reflective element 201 receives the radiation from the source and directs that radiation to the other reflective element 202, which, in turn, directs the radiation to the lens (not shown). The relative rotational rates of the two elements can be
5 adjusted so as to obtain a variety of scan patterns, such as those discussed above.

With reference to FIGURE 15 as well as FIGURE 17, one or more objects within the illuminated portion of the object region can reflect (and/or scatter) at least a portion of the incident radiation back towards the lens. For example, by way of illustration, a
10 surface of an object 124b illuminated by the incident radiation can reflect a portion of that radiation back to the lens 122. The lens 122, in turn, directs the back-propagating radiation to the transmit/receive unit 120 for detection. Similar to the previous embodiment, the detector module of the transmit/receive unit generates an electrical signal (typically a time-varying signal) in response to detection of the back-propagating
15 radiation, and communicates this signal to a processor 128, e.g., via a communications channel 130. The magnitude of the generated detection signal at a given time is proportional to the intensity of the reflected radiation detected at that time. The processor also receives information from a radiation scan sensor 132, e.g., via a communications channel 134, regarding the position of the illuminating spot on the
20 object plane as a function of time. For example, the scan sensor can provide the processor with information regarding the instantaneous orientation and rotation rate of each of reflective elements 201 and 202. The processor can convert this information to the position of the illuminating spot on the object plane at any given time. The processor further utilizes this information, e.g., in a manner discussed above, to generate a
25 plurality of image point coordinates, each corresponding to a coordinate in the object plane. The processor further assigns a brightness value to each image point coordinate in proportion to the magnitude of the detected signal associated with an object point corresponding to that image point. In this manner, the processor calculates an image corresponding to the illuminated portion.

30 Further, the processor generates a plurality of image drive signals for application to a display 136 for displaying the calculated image. In this embodiment, the processor and the display are disposed in separate enclosures with communication channels coupling the processor to the transmit/receive unit as well as the lens position sensor. In

other embodiments, the various components of the imager can be housed in a single, preferably handheld, enclosure.

In some embodiments, an imager according to the teachings of invention is
5 capable of acquiring images of a plurality of object planes located at different axial
locations (e.g., at different depths within an obstruction, such as a wall). For example,
FIGURE 18 schematically depicts an imager 138 according to another embodiment of
the invention in which a lens 140 (e.g., a diffractive element whose optical axis is offset
relative to its rotation axis) can be axially moved (e.g., along the lens's rotation axis RA)
10 so as to focus radiation generated by a transmit/receive unit 142 at different axial
locations within an object region 144. For example, a rotational scan mechanism 146
can rotate the lens, and a focus-drive mechanism 148 can move the lens back-and-forth
along its rotational axis so as to focus radiation onto different object planes (e.g.,
exemplary planes 144a and 144b) within the object region 144. A plurality of focus-
15 drive mechanisms can be employed. By way of example, as shown schematically in
FIGURE 19, the focus drive mechanism 300 can include a movable stage 301 on which
the lens is mounted. In some embodiments, the lens is coupled to a shaft mechanism
that rotates and simultaneously axially translates the lens. In such an embodiment, for
each axial position of the lens, the rotation of the lens, together with the translation of
20 the imager, can result in scanning the radiation over a path within an object plane. In
other embodiments, a zoom lens system can be employed for focusing the radiation on
axially separated object planes.

In some embodiments, both transmit/receive unit 142 and lens are axially
translated, while preferably maintaining the separation between the transmit/receive unit
25 and the lens, to focus the radiation on planes at different axial locations.

The radiation reflected from each object plane can be detected by the
transmit/receive unit, which generates an electrical signal in response to such detection
and transmits the signal to a processor 150 for analysis. The imager further includes at
least one lens position sensor 152 coupled to the rotational scanner and the focus-drive
30 mechanism for determining the axial position as well as the rotational orientation of the
lens (in some embodiments, the functionality of the position sensor 152 can be provided
by two separate sensors, one for determining the lens's axial position and the other for
determining the lens's rotational orientation). By way of example, the lens position

sensor can be implemented as a shaft encoder. The sensor 152 transmits the information regarding the lens's axial position and rotational orientation to the processor 150. The processor employs this information to temporally correlate the detection signal
5 generated by the detector to different object planes, and for each object plane, to a plurality of coordinate positions in that plane. In this manner, the processor can build up a plurality of images, each corresponding to a different depth within the object region. The processor can further generate image drive signals for application to a display 154 for displaying these images, e.g., as a three-dimensional image. In some cases, the
10 processor can cause the display to present selected ones of these images, or present them in a selected sequence, or in any other desired manner.

Although a transmit/unit is employed in the imager 138, in other embodiments, separate source and detector can be employed to generate and detect the radiation, for example, in a manner shown in the above imager 10 (FIGURE 1). Further, the imager
15 118 discussed above, which provides a two-dimensional image of an area of interest while stationary, can be similarly modified to provide a plurality of two-dimensional images at different depths in a region of interest.

In another embodiment, the longitudinal chromatic aberration of the lens can be employed to focus radiation from a source at a plurality of at different depths (e.g., onto
20 a plurality of object planes located at different axial distances from the lens). For example, the frequency of the radiation generated by a source can be varied (tuned) such that the chromatic aberration exhibited by the lens would result in focusing different frequencies at different axial locations from the lens.

By way of example, FIGURE 20 schematically depicts such an embodiment
25 in which a varactor diode 158 is employed to tune the frequency of a radiation source 160 of a Gunnplexer 162. A processor 164 in communication with the Gunnplexer can receive information regarding the frequency of radiation as a function of time. The processor employs this information to temporally correlate detection signals corresponding to the detected back-propagating radiation with different axial locations
30 from the lens. Images of different portions (e.g., different object planes such as exemplary object planes 166 and 168) can then be built up and displayed, e.g., in a manner similar to that discussed above, in a display 170.

Telecentric embodiments

FIGURE 21 schematically illustrates an imager (camera) 172 in accordance with another embodiment of the invention that employs a telecentric arrangement of optical elements to acquire an image. The imager comprises a two-element lens system 174
5 composed of a rotating eccentric pupil lens 176 and a fixed centered lens 178. Fixed lens 178 is illustrated as embedded in a square-shaped surround 180 for clarity only; the surround emphasizes that lens 178 is fixed. The function of the eccentric pupil lens 176 can be understood as being similar to a combination of a collimating lens and a wedge prism. By way of example, a lens portion cut from an edge of a spherical lens or a zone
10 plate lens can be utilized as the lens eccentric lens 176. Other ways of forming the lens 176 are also known to those having ordinary skill in the art.

In the exemplary imager 172, the lens 176 is disposed relative to an emitting aperture of a radiation source 182 at a distance equal to one of its focal lengths. The lens
15 176 converts an expanding cone of radiation generated by the source into a generally collimated radiation beam, and directs the collimated beam in a predetermined off-axis direction, as shown schematically in FIGURE 21. The fixed lens 178 is, in turn, disposed at a selected distance from the lens 176 so as to focus the collimated beam generated by the lens 176 into a point image 184 in a plane at one of its focal lengths in
20 the vicinity of an object region 184a. A scan radius R_s (i.e., a radial distance between optical/rotation axis [RA,OA] and the image 184) can be estimated as the product of the angle of propagation of the collimated beam and the focal length of the fixed lens 178. R_s is independent of the distance between the rotating lens 176 and the fixed lens 178. In some embodiments, the fixed lens 178 can be axially moved, e.g., by utilizing
25 mechanisms such as those discussed above in connection with some of the previous embodiments, so as to focus the radiation at different axial locations relative to the imager (e.g., at different depths of a wall or other obstruction). For example, the imager can be held at a generally fixed distance from a planar surface while the lens 178 is axially moved to focus the radiation at different axial distances from that surface.

30 Preferably, the separation between the lenses 176 and 178 is substantially equal to the focal length of the fixed lens 178. In such a case, the fixed lens 178 forms the image 184 with an imaging cone of radiation whose chief ray is parallel to the optical axis. When the lens 178 is axially moved, the separation between the two lenses can

deviate from this preferred value, although in some embodiments, both lenses can be moved so as to provide a depth of scan of the radiation while maintaining the separation between the lenses substantially equal to the preferred value.

5

Example

A prototype imager made based on the above teachings of the invention is discussed in the following example for further illustration of various aspects of the invention. It should, however, be understood that this is intended only for illustrative purposes, and not for indicating optimal performance of imagers according to the teachings of the invention, or to suggest that the specific arrangement of the various optical components and other design parameters utilized in the prototype are in any way meant to limit the scope of the invention.

The prototype imaging system based on the teachings of the invention was fabricated by utilizing a Gunn oscillator operating at a frequency of 24.15 GHz (a wavelength of about 12.4 millimeters) as the emitting source. The Gunn oscillator was coupled to a 10 dB feedhorn, with an exit aperture having dimensions of 15 by 11 mm, so as to output a cone of linearly polarized radiation at a power of 5 mW with an angular spread of +/- 57 degrees.

After passage through a 45-degree wire grid polarizer (composed of 30 gauge wires with 0.8 mm center spacing disposed on an Acrylic frame), the radiation from the oscillator was focused to a focal point by an F/0.6 quarter-wave focusing lens, formed of Low Density Polyethylene (LDPE). The lens was configured to image the radiation at a focal spot approximately 100 mm off the lens's optical axis. The distance of the source from the lens (about 125 mm) was substantially equal to that of the image from the lens, thus resulting in a magnification of about 1.

A 32 mm thick birefringent quarter-wave plate, composed of an array of 2.5 mm wide slots cut into a LPDE sheet, was placed between the lens and the focal point. The slots of the quarter-wave plate were oriented at 45 degrees relative to the polarization axis of the incident beam, thus converting the beam's linear polarization to circular polarization. Upon reflection from an object at the focal point and a second passage through the quarter-wave plate, the beam's circular polarization was converted back to linear polarization, albeit with a 90-degree rotation relative to the polarization axis of the

30

incident beam. The back-propagating radiation was then transmitted by the wire grid polarizer to a second Gunn oscillator having an integrated mixer (receiver). The optical system effectively operated in a confocal mode, where the diffracted radiation spot
5 served to illuminate an object and radiation reflected (or scattered) from the object was focused back through a small aperture (the feedhorn entrance) to the mixer detector.

The emitter and receiver Gunn oscillators were tuned to have a frequency mismatch of approximately 2 MHz. This frequency mismatch causes radiation reflected by an object at the focal point and relayed to the receiver to generate a 2 MHz beat
10 frequency signal. The beat frequency was amplified, low-pass filtered (frequency cutoff was about 500 Hz) and rectified. The rectified signal was, in turn, fed to a computer data acquisition system.

By rotating the lens at 300 revolutions-per-minute (rpm), a circularly scanned "probe spot" was generated. A magnet and a Hall effect sensor were utilized to measure
15 the rotational position of the lens. Object imaging was accomplished by moving objects transversely through the scanning focused spot. A sheet of gypsum wallboard having a thickness of about 5/8 inches (15.9 cm) was placed between the lens and the focal plane of the probe spot. Radiation passing through the wallboard interacted with various test objects (e.g., wires, pipes, human skin, etc). A software program was utilized to use the
20 rotational position of the lens so as to determine the Cartesian Coordinates of locations on the focal plane from which the detected reflected radiation originated. This information was utilized, in a manner discussed in detail above, to construct images of objects that were moved transversely through the scanned field.

FIGURES 22A-22E show some illustrative images obtained by the above
25 prototype, illustrating that objects formed from a variety of different materials (e.g., wood, metal, plastic) with features as small as 6 mm can be imaged behind a gypsum wallboard with contrast ratios as high as 10:1.

As noted above, the above prototype was discussed only for illustrative purposes. The particular selections and arrangements of the optical components (e.g., source, lens
30 and receiver) were made only by way of example. Alternative components and arrangements can also be utilized. For example, sources operating at other wavelengths can be employed.

It should be understood that various modifications can be made to the above illustrative embodiments without departing from the scope of the invention. For example, a variety of different lenses can be utilized. The lenses can be fabricated, e.g.,
5 as zone plates, parallel metal plates, dielectric materials. Further, the optics can be designed as confocal, near confocal, telecentric, or dark field. The scanning of the radiation can be one or two-dimensional (radial, tangential, raster, or a combination thereof). The camera body location-determining subsystem can be internal or external to the camera body. Further, the location sensing technology can be mechanical, optical,
10 RF or any suitable mode.

What is claimed is:

1. An imaging system, comprising:
5 a source of electromagnetic radiation capable of generating radiation with one or more frequencies in a range of about 1 GHz to about 2000 GHz,
an optical system optically coupled to said source so as to focus radiation received therefrom onto an object plane, said optical system directing at least a portion of the focused radiation propagating back from the object plane onto an image plane,
10 a scan mechanism coupled to said optical system for controlling thereof so as to move the focused radiation over the object plane,
a detector optically coupled to said optical system at the image plane to detect at least a portion of the radiation propagating back from a plurality of scanned locations in the object plane, thereby generating a time-dependent detection signal, and
15 a processor in communication with the detector to generate an image of at least a portion of the object plane based on said detection signal
2. The imaging system of claim 1, wherein said processor maps variation of said varying detection signal to one or more respective locations in the object plane from
20 which the back-propagating radiation giving rise to that detection signal originates.
3. The imaging system of claim 1, further comprising a position sensor coupled to the scan mechanism for determining a position thereof relative to a reference position.
- 25 4. The imaging system of claim 3, wherein said position sensor is in communication with said processor to communicate the position of the scan mechanism to the processor.
5. The imaging system of claim 1, further comprising a display in communication
30 with said processor for displaying said image.

6. The imaging system of claim 1, wherein said scan mechanism causes the optical system to generate a generally elliptical scan pattern of the radiation over the object plane.
- 5
7. The imaging system of claim 6, wherein said scan mechanism causes the optical system to generate a circular scan pattern of the radiation over the object plane.
8. The imaging system of claim 1, wherein said scan mechanism causes the optical system so as to generate a spiral scan pattern of radiation over the object plane.
- 10
9. The imaging system of claim 1, wherein said scan mechanism causes the optical system so as to generate a floret scan pattern of radiation over the object plane.
- 15
10. The imaging system of claim 1, wherein said scan mechanism causes the optical system so as to generate a raster scan pattern of radiation over the object plane.
11. The imaging system of claim 1, wherein said system is adapted to be moved by a user so as to scan the radiation, in combination with said scan mechanism, in two dimensions in the object plane.
- 20
12. The imaging system of claim 11, wherein said detection signal corresponds to back-propagating radiation originating from scanned locations in the object plane.
- 25
13. The imaging system of claim 12, wherein said processor maps a variation of said detection signal to said scanned locations so as to generate an image of a region in said object plane including said scanned locations.
14. The imaging system of claim 11, wherein
- 30 for each image point coordinate corresponding to one of said scanned locations, the display presents a brightness proportional to a strength of the detection signal corresponding to back-propagating radiation from that scanned location.

- 5 15. The imaging system of claim 11, further comprising means for generating data indicative of locations and orientations of said system as the system is moved by the user and communicating said data to the processor, said processor utilizing said data to map the detection signal to the scanned locations.
- 10 16. The imaging system of claim 1, wherein said radiation source and said detector are formed as a single transmit/receive module operating in said frequency range of about 1 GHz to about 2000 GHz.
- 15 17. The imaging system of claim 1, further comprising a portable housing containing said radiation source, said optical system, said scan mechanism and said detector.
18. The imaging system of claim 17, further comprising an electronic processing and display module (EPDM) that includes said processor.
- 20 19. The imaging system of claim 18, wherein said EPDM is integrated within said portable housing.
- 20 20. The imaging system of claim 17, further comprising a second housing, separate from said portable housing, for containing said EPDM, said second housing being in data or signal communication with said portable housing.
- 25 21. The imaging system of claim 20, wherein said EPDM comprises a display module for displaying said image.
22. The imaging system of claim 16, further comprising a focus drive mechanism coupled to the optical system to vary an axial distance between the optical system and the transmit/receive module.
- 30 23. The imaging system of claim 16, wherein said transmit/receive module is capable of being frequency tuned so as to allow focusing of the radiation via a longitudinal chromatic aberration of the optical system.

24. The imaging system of claim 22, further comprising a position sensor coupled to said focus drive mechanism for determining an axial position of said optical system relative to a reference position.

5

25. The imaging system of claim 24, wherein said position sensor is in communication with said processor to communicate the optical system's position to the processor.

10

26. The imaging system of claim 25, wherein said processor generates signals indicative of the position of said scan mechanism in response to information received from the position sensor.

15

27. The imaging system of claim 1, wherein the processor correlates a plurality of partially overlapping image frames to form said image.

20

28. The imaging system of claim 27, wherein said processor utilizes one or more pixels in an overlap region of two image frames as reference to determine relative positions of the other pixels in the two image frames.

25

29. The imaging system of claim 1, further comprising a mechanism coupled to the source for modulating frequency of radiation generated by the source.

30. The imaging system of claim 29, wherein said mechanism modulates the radiation frequency at a rate of about 100 MHz.

30

31. The imaging system of claim 29, wherein said mechanism modulates the radiation frequency about a center frequency over a range of about 1% of the center frequency.

32. The imaging system of claim 1, wherein said scan mechanism causes the optical system to generate a two-dimensional pattern of the focused radiation over the object plane.

33. A portable imager, comprising
a source for generating electromagnetic radiation with one or more frequency
components in a range of about 1 GHz to about 2000 GHz,
5 means for directing radiation from the source to an object plane and directing at
least a portion of the radiation propagating back from the object plane to an image plane,
means coupled to the radiation-directing means for controlling thereof so as to scan the
radiation over at least a portion of the object plane,
means for detecting radiation propagating back from a plurality of scanned
10 locations in the object plane and generating a detection signal, and
means for analyzing said detection signal so as to generate an image of at least a
portion of the object plane.

34. An imaging system, comprising
15 a handheld housing, comprising
a source of electromagnetic radiation capable of generating radiation having one
or more frequencies in a range of about 1 GHz to about 2000 GHz,
a focusing system for directing radiation generated by the source onto an object
plane and directing at least a portion of the radiation propagating back from the object
20 plane onto an image plane,
a scan mechanism coupled to said focusing system for controlling thereof so as
to provide a one-dimensional scan of the radiation over the object plane,
a detector optically coupled to said focusing system at the image plane to detect
at least a portion of said back-propagating radiation to generate a time-dependent
25 detection signal, and
a processor coupled to the detector to receive said detection signal,
wherein said housing is adapted for movement so as to scan the radiation, in
combination said one-dimensional scan, over a plurality of locations in a two-
dimensional region of the object plane.

30 35. The imaging system of claim 34, wherein the processor generates an image of
said region based on the detection signal corresponding to the scanned locations.

36. The imaging system of claim 34, wherein said one-dimensional scan is characterized by a generally elliptical path over the object plane.
- 5 37. The imaging system of claim 35, wherein the processor maps the detection signal temporally to one or more of said scanned locations for generating said image.
38. The imaging system of claim 35, further comprising a display in communication with said processor for displaying said image.
- 10 39. An imaging system, comprising
a transmit receive module capable of generating and detecting electromagnetic radiation having one or more frequency components in a range of about 1 GHz to about 2000 GHz,
15 an optical system coupled to said module for focusing the radiation onto a focal plane, and directing at least a portion of the radiation propagating back from the focal plane to said module for detection,
a drive mechanism coupled to the optical system for varying an axial distance of a focusing element thereof relative to said transmit/receive module so as to axially vary
20 a position of said focal plane, said transmit/receive module generating a detection signal corresponding to the radiation propagating from said varying focal plane,
a processor coupled to said transmit/receive module to analyze said detection signal for generating an image of an axial region over which said focal plane is varied.
- 25 40. The imaging system of claim 39, further comprising a position sensor coupled to said drive mechanism for determining an axial position of said focusing element relative to a reference position.
41. The imaging system of claim 40, wherein said position sensor communicates the
30 focusing element's axial position to said processor.

42. The imaging system of claim 41, wherein said processor analyzes the detection signal temporally as a function of said focusing element's axial position so as to map the detection signal at a plurality of time intervals to the axial locations of the focal plane.

5

43. The imaging system of claim 39, further comprising a scan mechanism coupled to said focusing element for scanning the radiation over a surface of the focal plane substantially perpendicular to said axial direction.

10

44. An imaging system, comprising:
a housing adapted for movement over a surface located at a distance from an object plane,
a transmit/receive module disposed in said housing for generating and detecting electromagnetic radiation,

15

an optical system optically coupled to the transmit/receive module to focus radiation received therefrom onto the object plane, said lens directing at least a portion of radiation propagating back from the object plane onto the transmit/receive module, a scanning mechanism coupled to the lens for rotating a focusing element of the optical system about a rotation axis thereby moving said focused radiation over a region of the object plane,

20

a position sensor in communication with said scanning mechanism to generate signals indicative of position of the lens relative to a reference position,
a subsystem disposed in said housing for generating signals indicative of location of said housing on the surface as the housing is moved over that surface, and
a processor in communication with said transmit/receive module, said position sensor and said subsystem,

25

wherein said processor generates an image of at least a portion of said object plane based on said detected back-propagating radiation and signals generated by said position sensor and said subsystem.

30

45. The imaging system of claim 44, wherein said lens and scanning mechanism are disposed in the housing.

46. The imaging system of claim 44, wherein said location-determining subsystem comprises one or more inertial sensors.
- 5 47. The imaging system of claim 44, further comprising a display in communication with said processor for displaying said image.
48. The imaging system of claim 44, wherein said processor generates a set of image point coordinates in a coordinate space of the object plane based on signals received
10 from said position sensor and said location-determining subsystem.
49. The imaging system of claim 47, wherein said processor applies a plurality of image drive signals to said display so as to effect display of said image.
- 15 50. The imaging system of claim 49, wherein the processor generates each of said image drive signals based on a strength of the detected back-propagating radiation originating from a location on the object plane corresponding to one of said image point coordinates.
- 20 51. The imaging system of claim 49, wherein each of said image drive signals causes display of an image point on said display, wherein the image point exhibits a brightness corresponding to a strength of the detected signal associated with a respective image point coordinate.
- 25 52. The imaging system of claim 47, wherein a location of a displayed image point in the display is based on the position of the lens and the location of the housing at a time when back-propagating radiation originating from an object plane location corresponding to that image point is detected.
- 30 53. The imaging system of claim 44, wherein said transmit/receive module comprises a Gunnplexer.

54. The imaging system of claim 44, wherein said focusing element comprises a diffractive optical element.
- 5 55. The imaging system of claim 54, wherein said diffractive optical element comprises diffractive zones disposed about an optical axis that is offset from said rotation axis.
56. The imaging system of claim 54, wherein said diffractive optical element
10 comprises an amplitude zone plate.
57. The imaging system of claim 54, wherein said diffractive optical element comprises a phase zone plate.
- 15 58. The imaging system of claim 44, wherein an optical axis of the focusing element is offset from said rotation axis.
59. The imaging system of claim 58, wherein said rotation axis is substantially centered relative to an emitting aperture of said transmit/receive module.
20
60. The imaging system of claim 58, wherein said optical axis of the focusing element and said rotation axis are substantially parallel.
61. The imaging system of claim 58, wherein the optical axis of the focusing element
25 and said rotation axis intersect at said aperture of the transmit/receive module.
62. The imaging system of claim 44, wherein an emitting aperture of the transmit/receive module, said focusing element and focused radiation on the object plane generated by said focusing element are disposed in a confocal configuration.
30
63. The imaging system of claim 44, wherein said transmit/receive module comprises a frequency-modulating subsystem for modulating frequency of radiation emitted by said transceiver in response to a control signal.

64. An imaging system, comprising:
a transmit/receive module for generating and detecting electromagnetic radiation,
a telecentric lens system receiving radiation and focusing said radiation onto an
5 object plane, said lens system comprising an eccentric rotatable lens disposed at a
selected distance from a fixed lens, said lens system directing radiation propagating back
from the object plane onto said transmit/receive module for detection,
a scanning mechanism coupled to said rotatable lens for rotating the lens about a
rotation axis, thereby moving said focused radiation in said object plane, and
10 a processor coupled to said transceiver for generating an image of at least a
portion of the object plane illuminated by said radiation based on said detected back-
propagating radiation.
65. The imaging system of claim 64, wherein said eccentric lens is disposed at a
15 distance from an emitting aperture of said transmit/receive module substantially equal to
its focal length.
66. The imaging system of claim 64, wherein said eccentric lens collimates radiation
received from said transmit/receive module and directs said collimated radiation along
20 an off-axis direction to said fixed lens.
67. The imaging system of claim 64, wherein said fixed lens focuses said off-axis
radiation onto the object plane.
- 25 68. A method of imaging, comprising
providing a source of electromagnetic radiation capable of generating radiation
with one or more frequency components in a range of about 1 GHz to about 2000 GHz,
focusing radiation from the source onto an object plane,
scanning the focused radiation over at least a portion of the object plane,
30 detecting at least a portion of the radiation propagating back from the object plane
thereby generating a time-dependent detection signal, and
analyzing said detection signal to form an image of the scanned portion of the
object plane.

69. The method of claim 68, wherein the step of focusing radiation further comprises directing the radiation to the object plane along a direction forming a non-zero angle relative to a normal to the object plane.

5

70. The method of claim 69, wherein said angle is about 7 degrees.

71. An imaging system, comprising
a source of electromagnetic radiation capable of generating radiation with one or
more frequencies in a range of about 1 GHz to about 2000 GHz,
an optical system optically coupled to said source so as to focus radiation
received therefrom onto an object plane, said optical system directing at least a portion
of the focused radiation propagating back from the object plane onto an image plane,
a scan mechanism coupled to the optical system for controlling thereof so as to
scan the focused radiation over a two-dimensional portion of the object plane,
a detector optically coupled to said optical system at the image plane to detect at
least a portion of the radiation propagating back from a plurality of scanned locations in
the object plane, thereby generating a detection signal, and
a processor in communication with the detector to generate an image of at least a
portion of the object plane based on said detection signal.

10

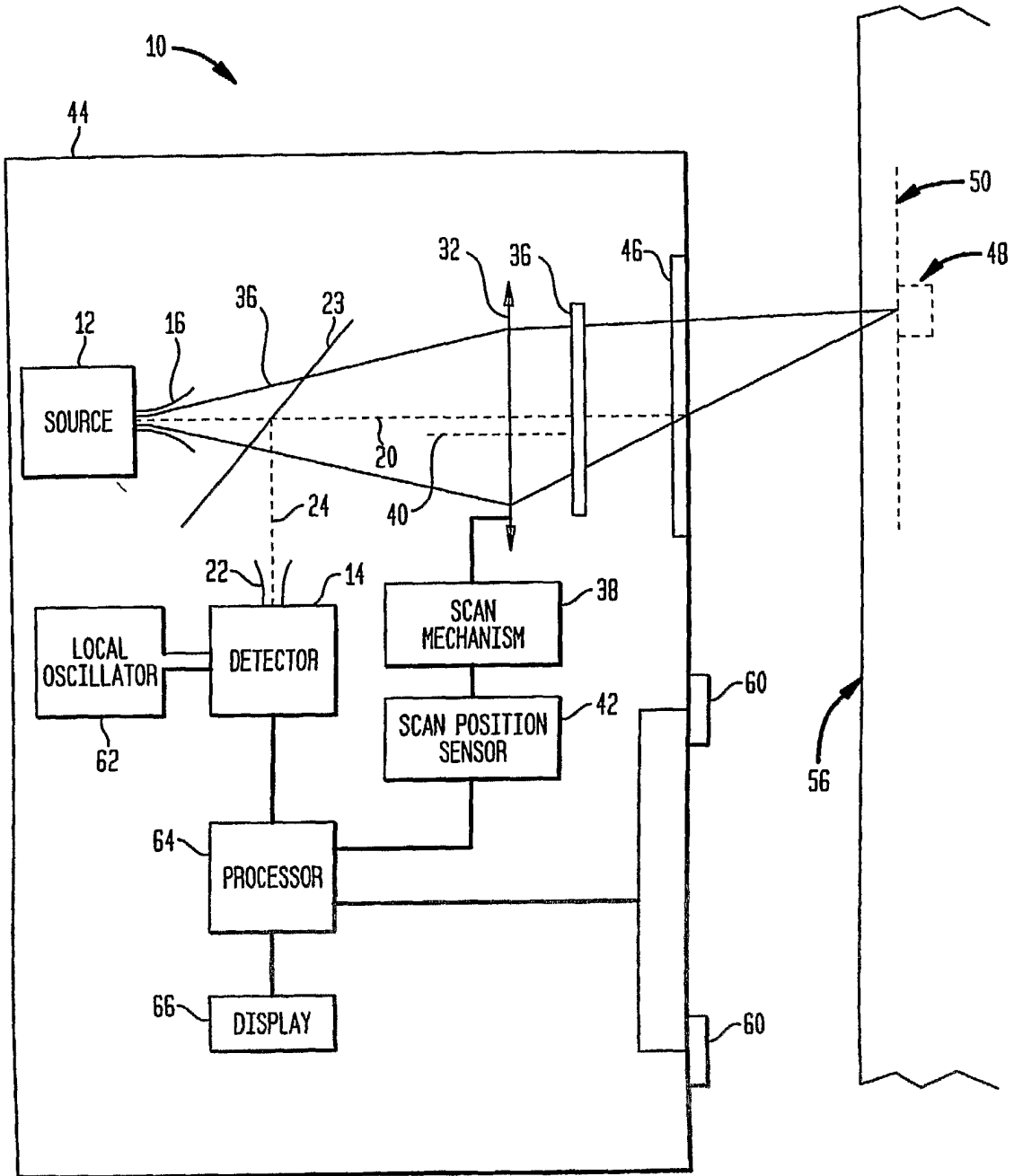
15

20

72. The imaging system of claim 71, wherein said scan mechanism comprises two rotating reflective elements configured to rotate about two substantially orthogonal axes.

25

1/11
FIG. 1



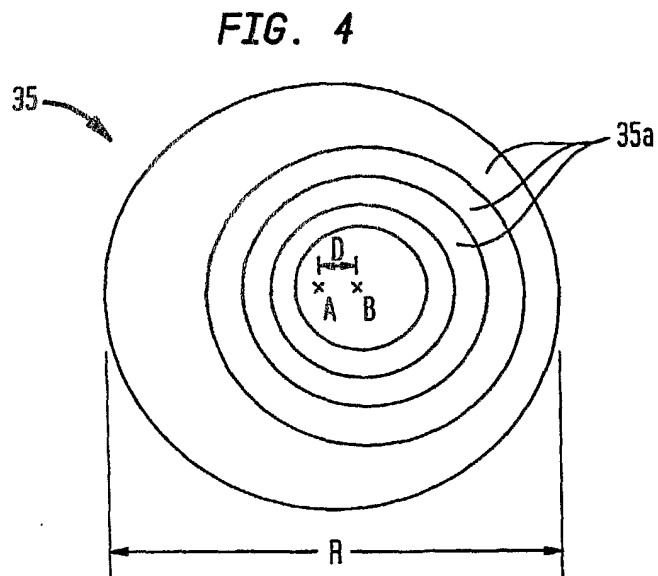
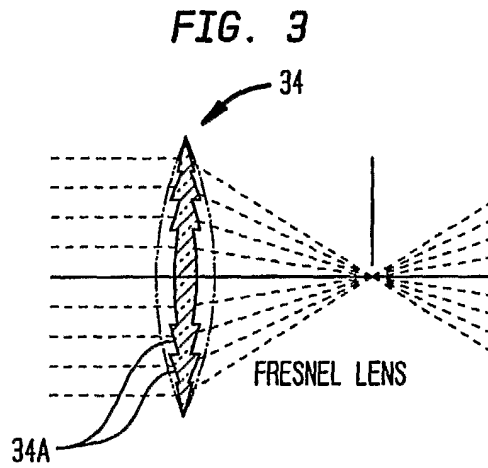
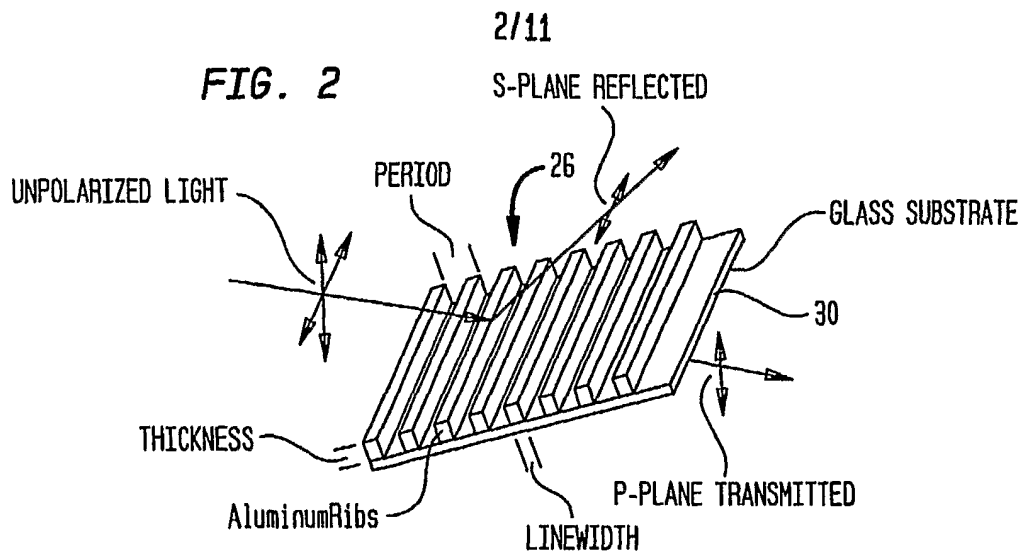


FIG. 5

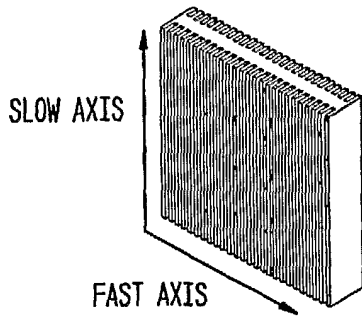


FIG. 6

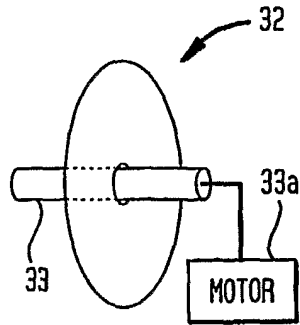


FIG. 7

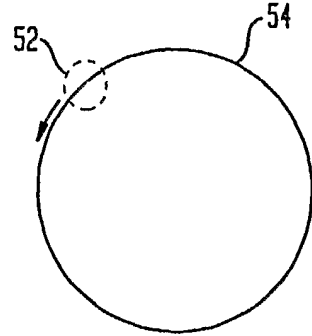


FIG. 8

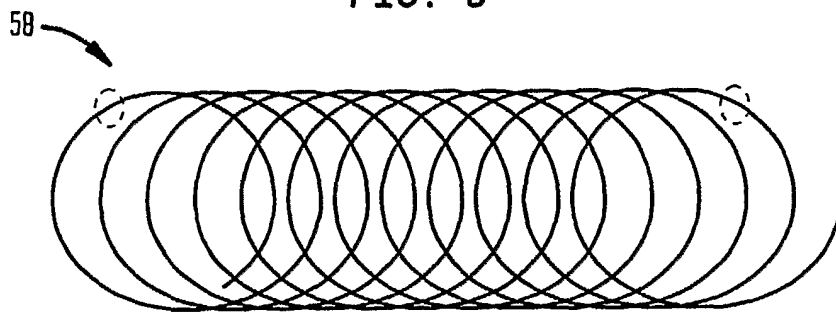
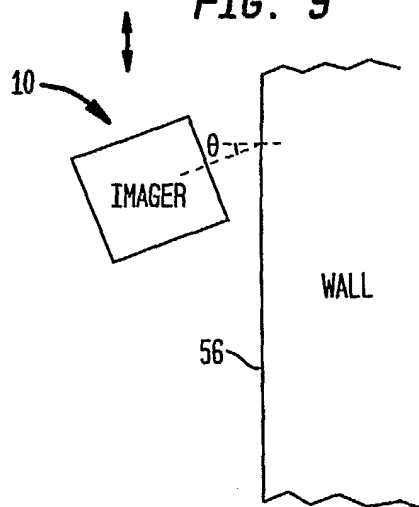


FIG. 9



4/11

FIG. 10

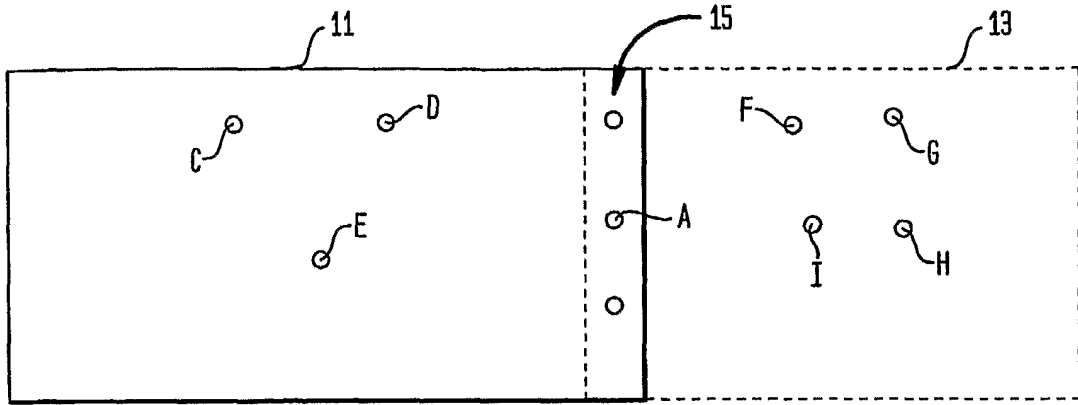


FIG. 11

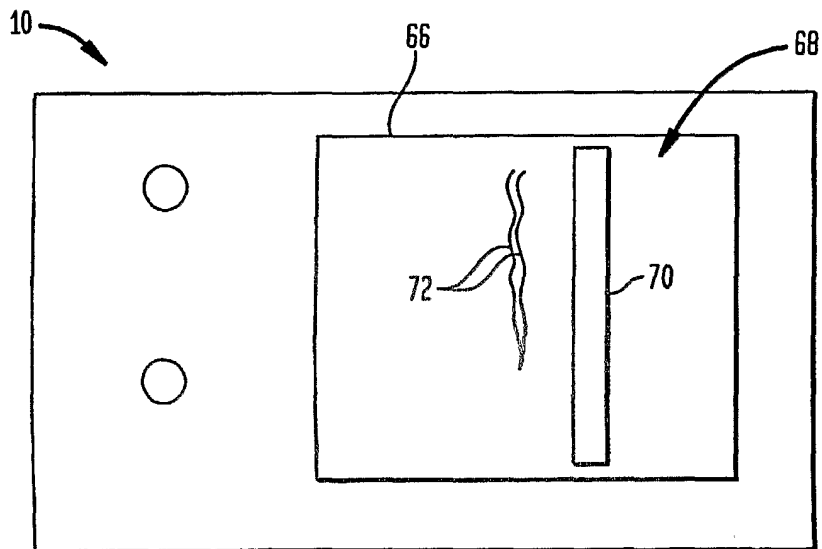
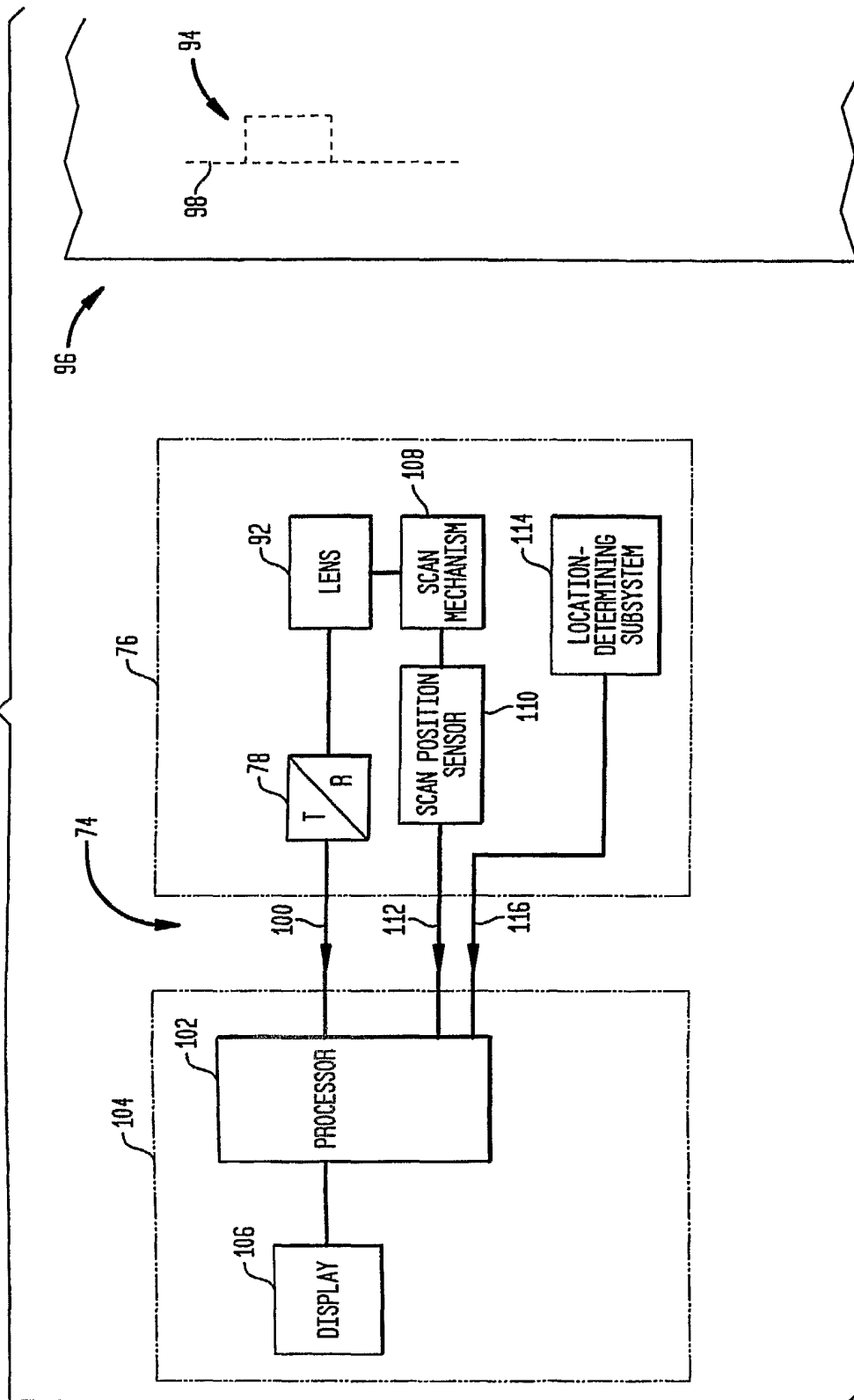


FIG. 12



6/11

FIG. 13A

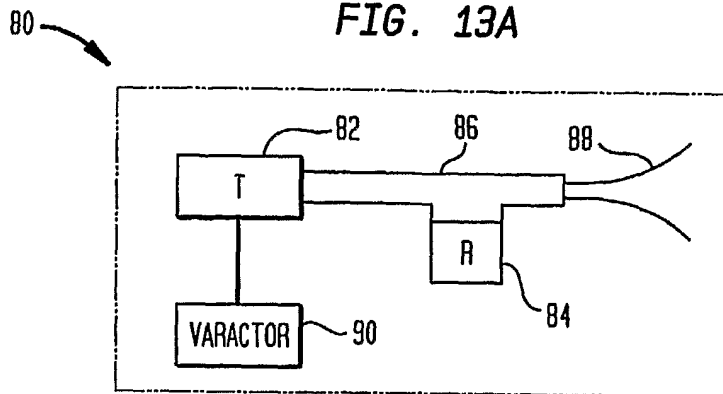


FIG. 13B

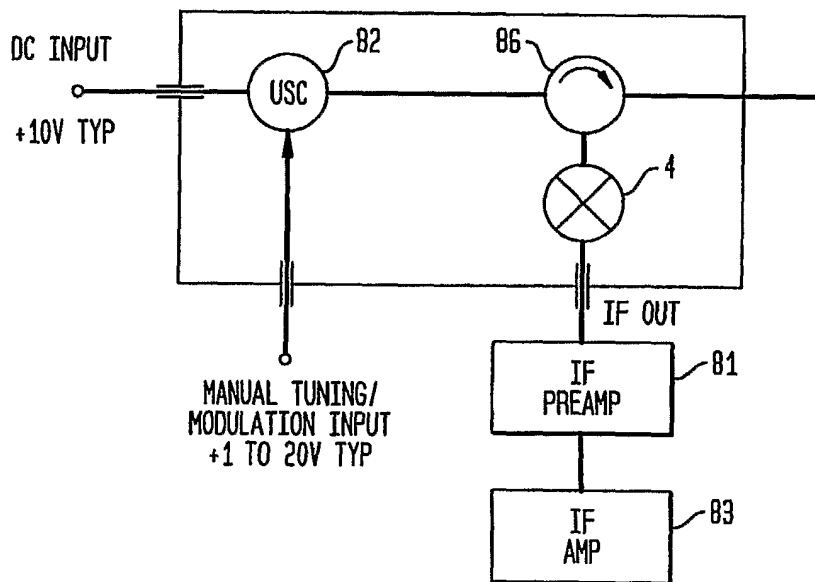


FIG. 14

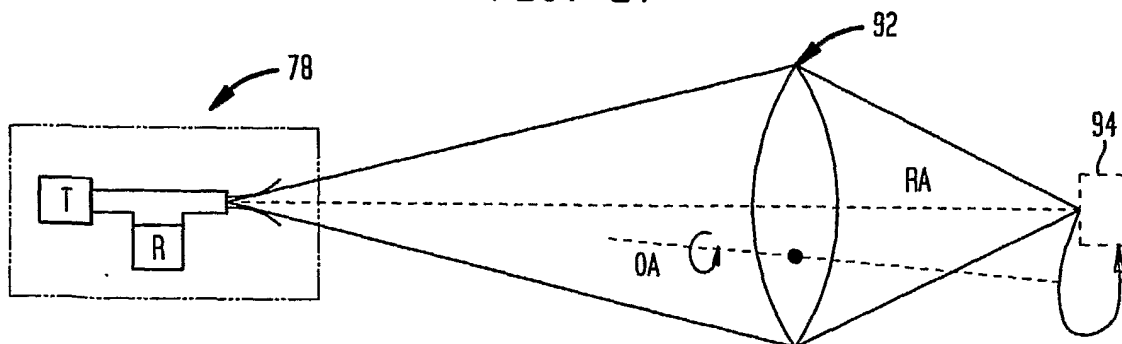
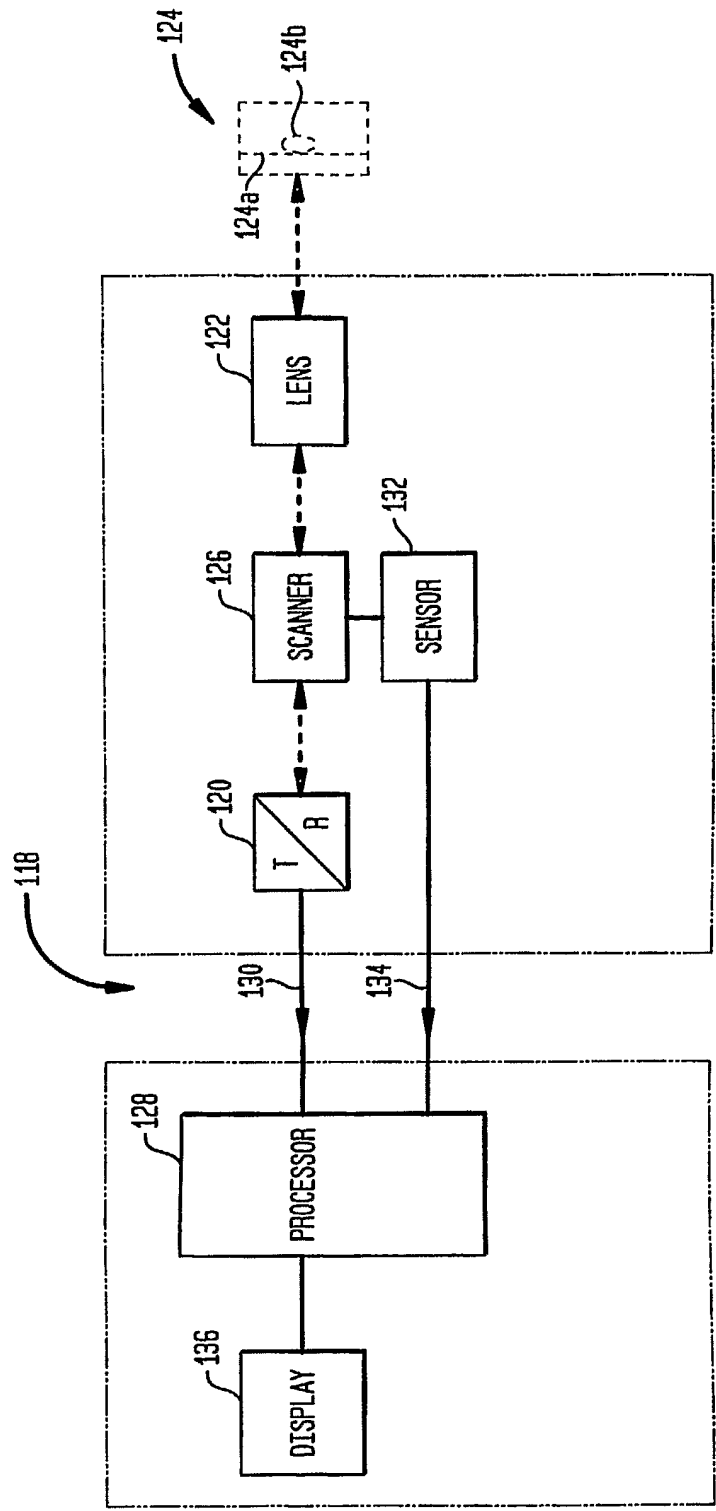


FIG. 15



8/11

FIG. 16A

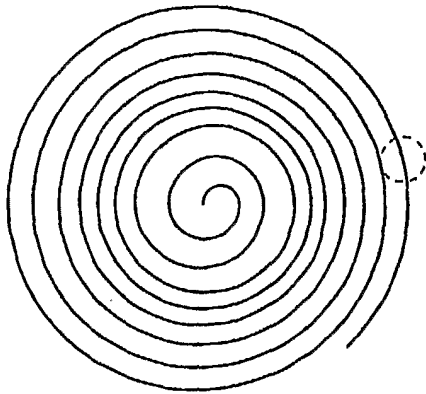


FIG. 16B

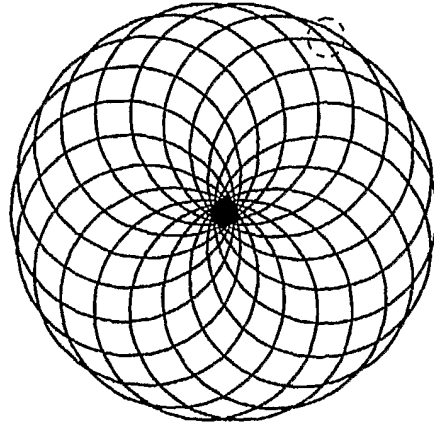


FIG. 16C

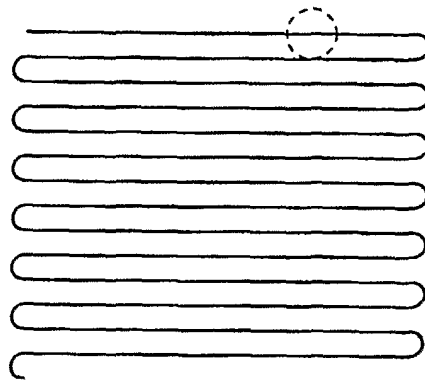


FIG. 17

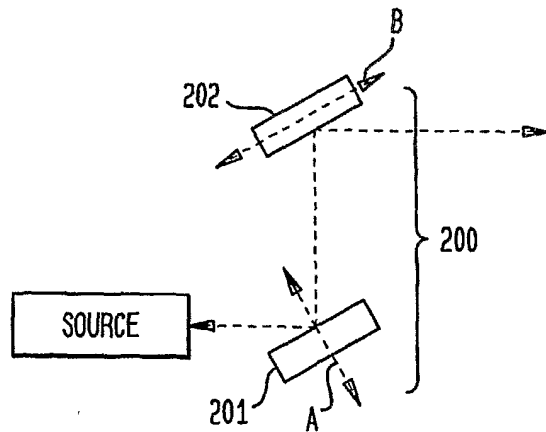


FIG. 18

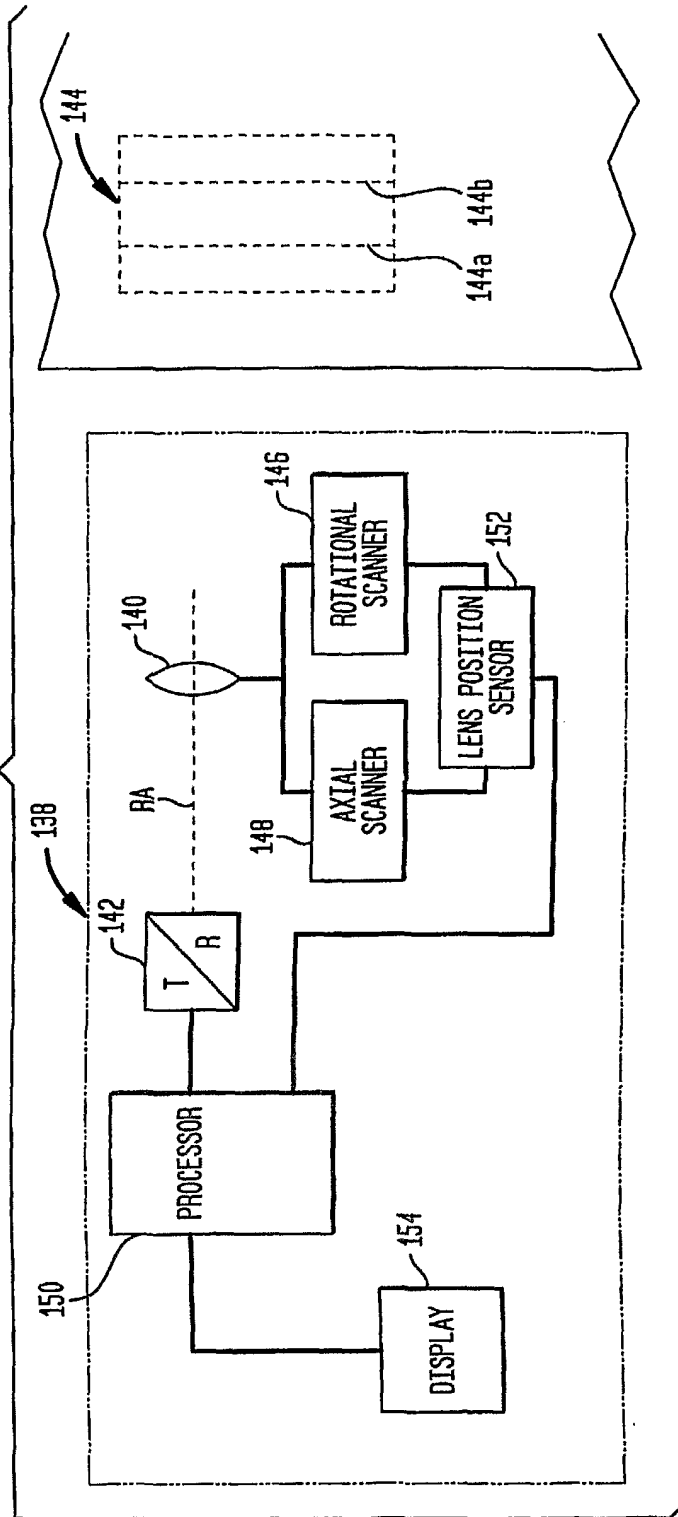
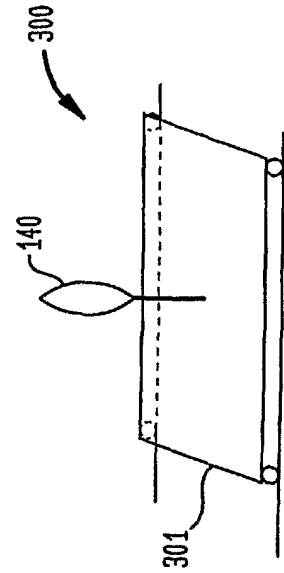


FIG. 19



10/11

FIG. 20

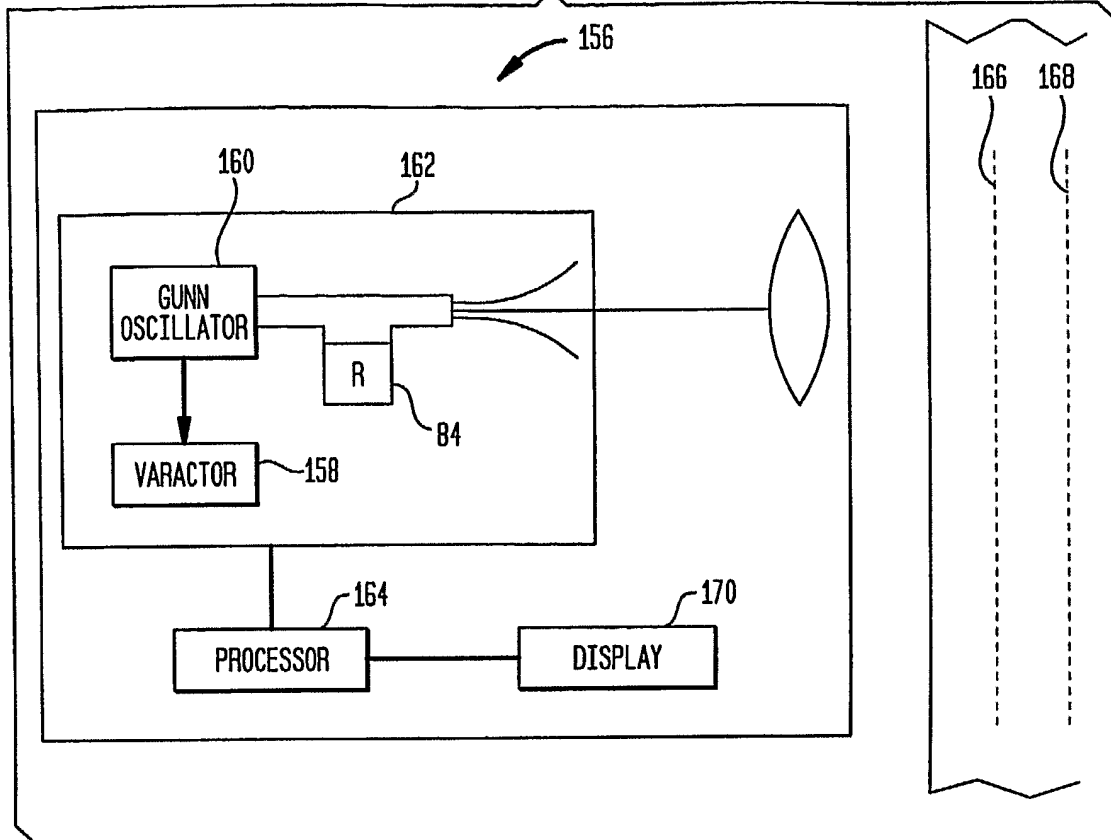
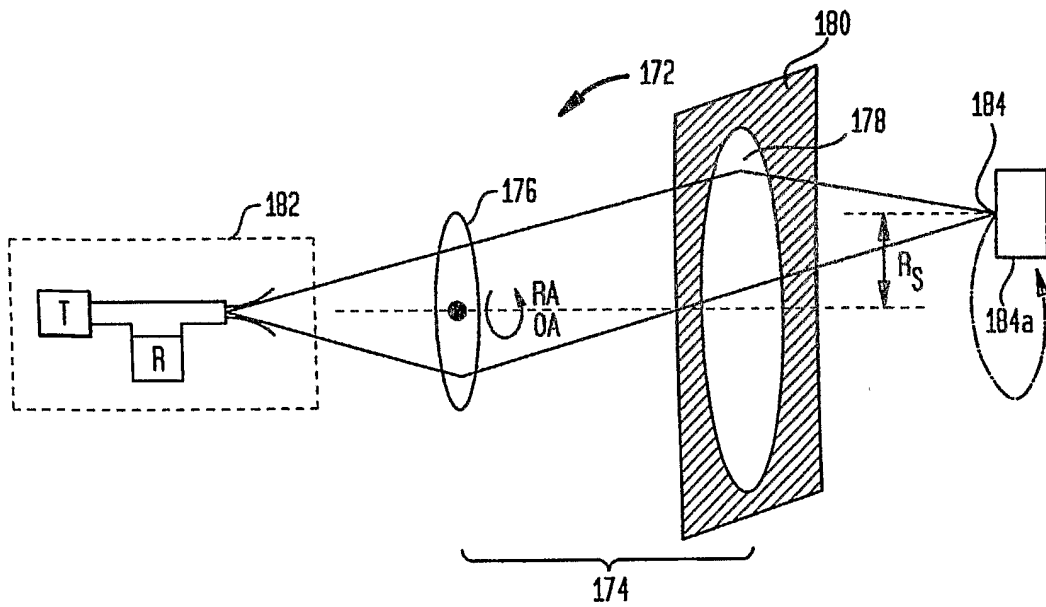


FIG. 21



11/11

FIG. 22A

PINE

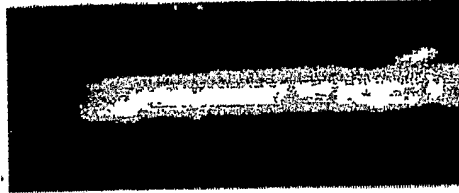


FIG. 22B

POPLAR

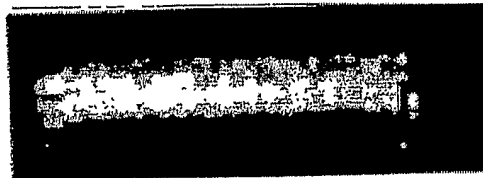


FIG. 22C

VINYL TAPE ROLL

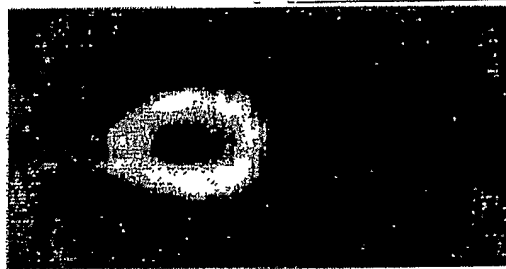


FIG. 22D

1/4" SCREW HEAD
IN PINE

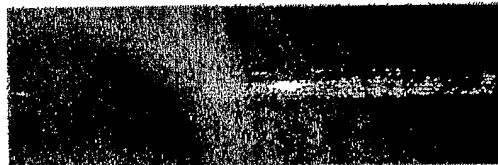


FIG. 22E

PVC

