



(12) **United States Design Patent**
Levine

(10) **Patent No.:** **US D812,588 S**
(45) **Date of Patent:** **** Mar. 13, 2018**

- (54) **EAR-COVER BACKING PORTION OF HEADPHONE DEVICE**
- (71) Applicant: **New Audio LLC**, New York, NY (US)
- (72) Inventor: **Jonathan E. Levine**, New York, NY (US)
- (73) Assignee: **New Audio LLC**, New York, NY (US)
- (**) Term: **15 Years**
- (21) Appl. No.: **29/583,762**
- (22) Filed: **Nov. 8, 2016**

2,858,544	A	11/1958	Roth	
3,073,410	A	1/1963	Gongoll	
3,440,663	A	4/1969	Seguin	
3,454,964	A	7/1969	Brinkhoff	
3,488,457	A	1/1970	Lahti	
3,505,684	A	4/1970	Hutchinson	
3,562,816	A	2/1971	Hutchinson	
3,579,640	A	5/1971	Beguín	
3,593,341	A	7/1971	Aileo	
3,815,155	A	6/1974	Davison	
3,922,725	A	12/1975	Csiki	
3,984,885	A	10/1976	Yoshimura	
D244,301	S	5/1977	Besasic	
D246,519	S	* 11/1977	Kato	D14/205
4,437,538	A	3/1984	Ohlsson	
4,439,645	A	3/1984	Scalzo	
4,471,496	A	9/1984	Gardner, Jr.	
4,958,697	A	9/1990	Moody	
D313,092	S	12/1990	Nilsson	
4,987,592	A	1/1991	Flagg	
D318,053	S	7/1991	Ludeke	

(Continued)

Related U.S. Application Data

- (63) Continuation of application No. 29/532,834, filed on Jul. 10, 2015, now Pat. No. Des. 772,841, which is a continuation of application No. 29/481,794, filed on Feb. 10, 2014, now Pat. No. Des. 736,174.
- (51) **LOC (11) Cl.** **14-01**
- (52) **U.S. Cl.**
USPC **D14/205**; D14/225
- (58) **Field of Classification Search**
USPC D14/205, 206, 223, 225; D29/112;
2/209; 181/129, 130, 135; 379/430, 431;
381/380, 381, 374; 455/90.3, 575.1,
455/569.1
CPC H04R 1/1066; H04R 1/1016; H04R 5/033;
H04R 5/0335; H04R 1/10
See application file for complete search history.

References Cited

U.S. PATENT DOCUMENTS

1,483,315	A	2/1924	Saal
1,648,832	A	11/1927	Urban
1,651,623	A	12/1927	Obergfell
2,782,423	A	2/1957	Simon et al.

Primary Examiner — Paula Allen Greene
(74) *Attorney, Agent, or Firm* — Perkins Coie LLP

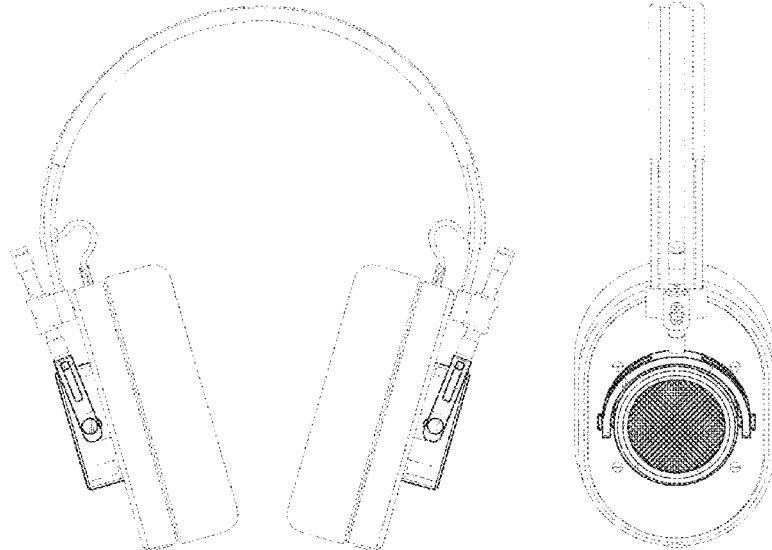
(57) **CLAIM**

The ornamental design for an ear-cover backing portion of a headphone device, as shown and described.

DESCRIPTION

FIG. 1 is a perspective view of an ear-cover backing portion of a headphone device showing my new design.
 FIG. 2 is a front elevational view thereof.
 FIG. 3 is a back elevational view thereof.
 FIG. 4 is a first side elevational view thereof.
 FIG. 5 is a second side elevational view thereof.
 FIG. 6 is a top plan view thereof; and,
 FIG. 7 is a bottom plan view thereof.
 The broken lines depict environment that forms no part of the claimed design.

1 Claim, 5 Drawing Sheets



US D812,588 S

(56)

References Cited

U.S. PATENT DOCUMENTS

5,035,005	A *	7/1991	Hung	H04M 1/05 2/209	8,098,872	B2 *	1/2012	Chang	H04R 1/1075 381/370
5,068,923	A	12/1991	Sjoqvist			D657,344	S	4/2012	Brunner		
D328,461	S	8/1992	Daido			D662,080	S *	6/2012	Carr	D14/205
5,144,678	A	9/1992	Lenz			8,213,644	B2 *	7/2012	Choi	H04R 9/06 381/151
5,384,857	A	1/1995	Nordin			D666,579	S *	9/2012	Hou	D14/205
5,406,037	A	4/1995	Nageno			8,325,962	B2 *	12/2012	Ishida	H04R 5/0335 381/370
5,420,381	A	5/1995	Gardner, Jr.			D677,243	S *	3/2013	Kitayama	D14/205
5,438,626	A *	8/1995	Neuman	H04R 5/0335 381/370	D680,999	S *	4/2013	Chan	D14/158
D410,466	S	6/1999	Mouri et al.			8,737,668	B1 *	5/2014	Blair	H04R 1/1066 381/378
5,970,160	A	10/1999	Nilsson			D706,241	S	6/2014	Szymanski		
5,996,123	A	12/1999	Leight			8,755,555	B2	6/2014	Dougherty		
D432,522	S *	10/2000	Kieltyka	D14/214	D712,872	S *	9/2014	Yuen	D14/205
D435,249	S *	12/2000	Yasutomi	D14/205	D721,052	S	1/2015	Carr		
6,263,085	B1 *	7/2001	Weffer	H04R 1/1075 379/430	D727,280	S	4/2015	Levine		
6,392,196	B1 *	5/2002	Lin	A61F 11/14 2/209	D727,281	S	4/2015	Levine		
6,449,806	B1	9/2002	Engelhard			D728,512	S *	5/2015	Nakagawa	D14/205
D476,639	S	7/2003	Bergeron			D729,194	S *	5/2015	Boeckel	D14/205
D512,708	S	12/2005	Harris, Jr.			D736,174	S	8/2015	Levine		
7,245,735	B2	7/2007	Han			D736,175	S	8/2015	Levine		
D563,382	S	3/2008	Wikel			D737,799	S	9/2015	Carr		
D567,215	S *	4/2008	Lee	D14/205	D741,842	S	10/2015	Levine		
7,388,960	B2 *	6/2008	Kuo	H04R 1/1041 379/430	D746,790	S	1/2016	Strasberg		
7,391,878	B2 *	6/2008	Liao	H04R 5/033 381/370	D762,191	S *	7/2016	Levine	D14/205
D573,581	S	7/2008	Gondo			D765,055	S *	8/2016	Hsieh	D14/205
D576,604	S	9/2008	Suzuki			D768,110	S *	10/2016	Suzuki	D14/205
D581,394	S	11/2008	Lee			D772,841	S *	11/2016	Levine	D14/205
D588,100	S	3/2009	Densho			D780,155	S *	2/2017	Levine	D14/205
D594,847	S *	6/2009	Suzuki	D14/205	D782,995	S *	4/2017	Matthews	D14/205
D616,865	S	6/2010	Marchand			D789,327	S *	6/2017	Miyake	D14/205
D620,474	S	7/2010	Komiyama			D792,376	S *	7/2017	Morimoto	D14/205
D635,958	S *	4/2011	Ando	D14/205	D795,218	S *	8/2017	Ohmachi	D14/205
D639,776	S	6/2011	Arimoto			2005/0105755	A1 *	5/2005	Yueh	H04R 1/1041 381/371
D652,021	S *	1/2012	Miyawaki	D14/216	2008/0056525	A1 *	3/2008	Fujiwara	H04R 1/1033 381/374
D652,022	S *	1/2012	Miyawaki	D14/216	2010/0177907	A1 *	7/2010	Morisawa	H04R 1/1066 381/74
						2017/0041696	A1 *	2/2017	Levine	H04R 1/1033
						2017/0041697	A1 *	2/2017	Levine	H04R 1/1033

* cited by examiner

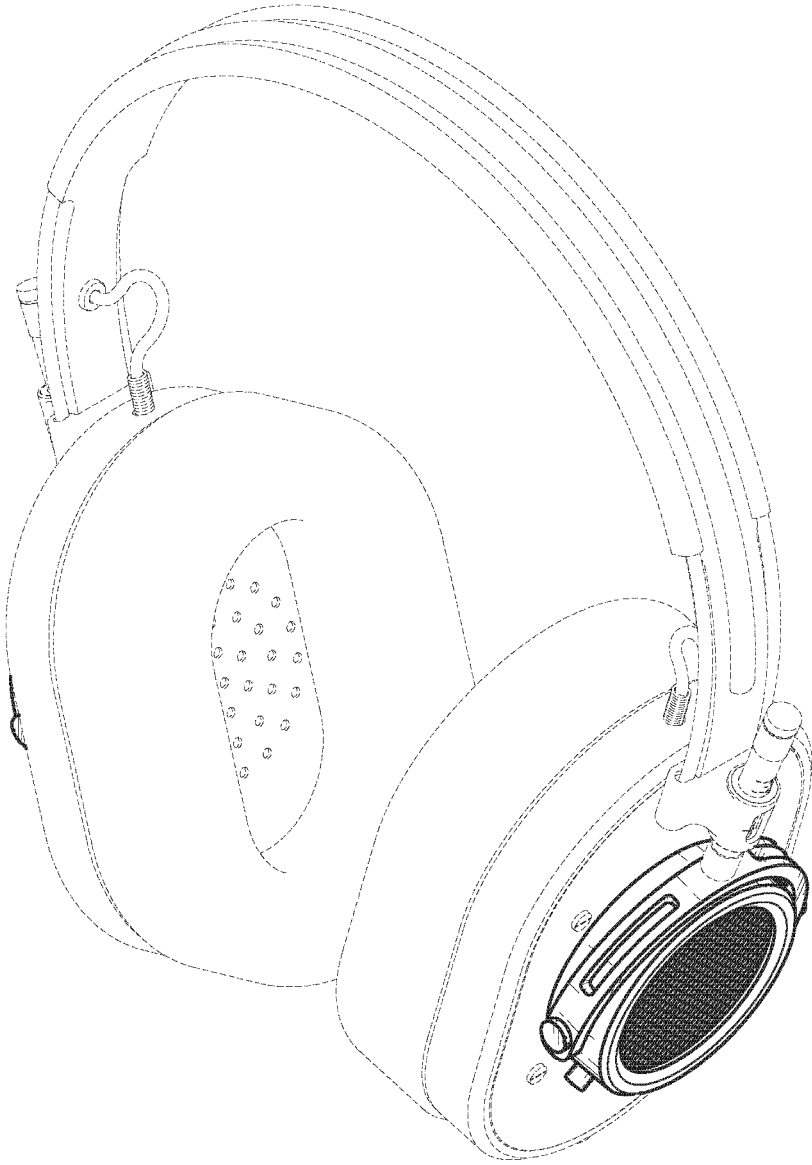


Fig. 1



Fig. 2



Fig. 3

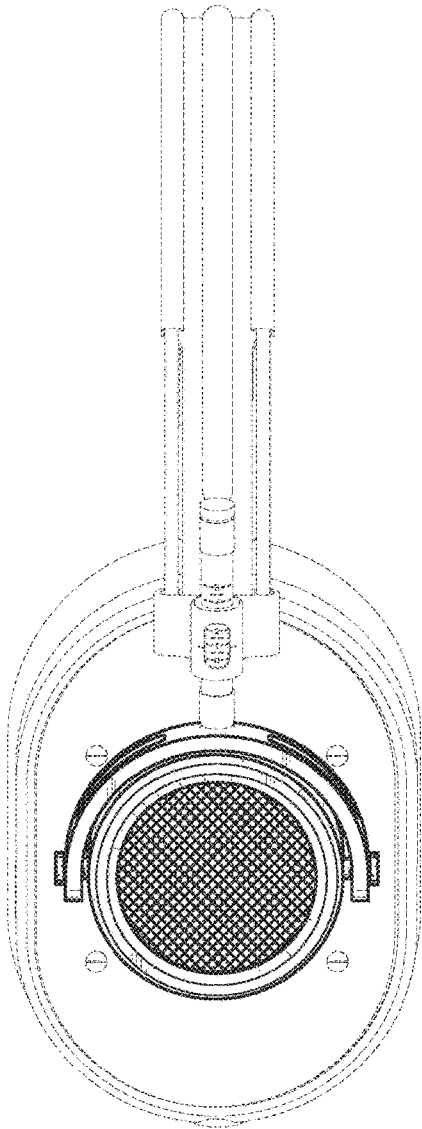


Fig. 4

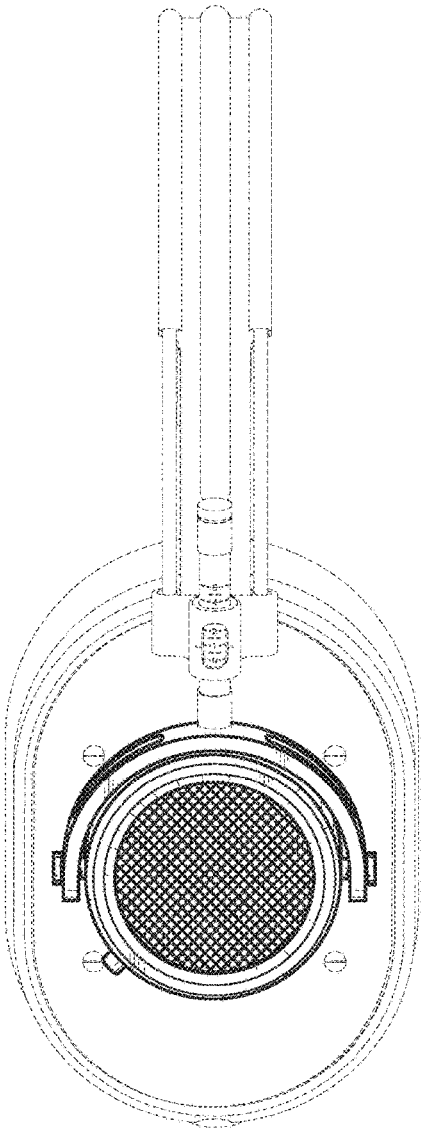


Fig. 5

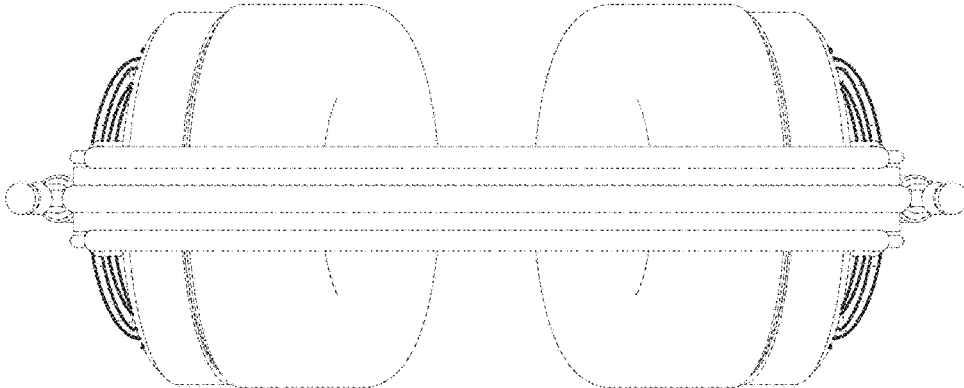


Fig. 6

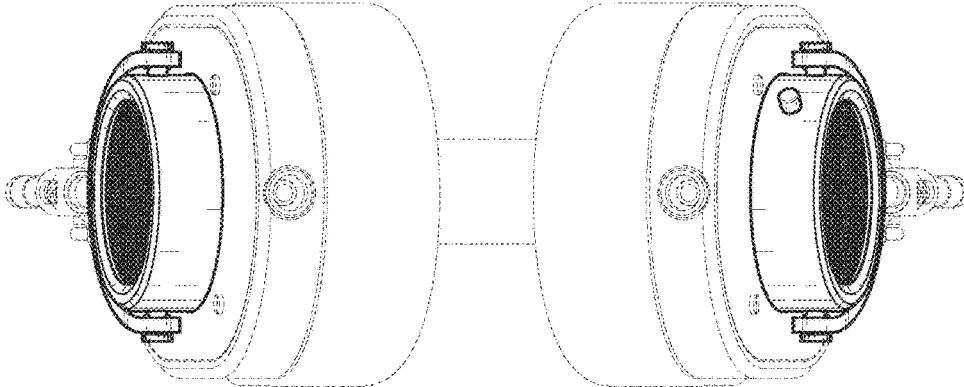


Fig. 7