



US00D414554S

United States Patent [19]

[11] **Patent Number: Des. 414,554**

Salmon et al.

[45] **Date of Patent: ** Sep. 28, 1999**

[54] **HEALTHCARE APPARATUS**

| | | | | |
|------------|---------|-----------|-------|----------|
| D. 333,933 | 3/1993 | Feinbloom | | D6/486 |
| 4,332,378 | 6/1982 | Pryor | | 272/70.3 |
| 4,744,536 | 5/1988 | Bancaluru | | 248/125 |
| 5,458,305 | 10/1995 | Woodward | | 248/121 |

[75] Inventors: **Andrew Paul Maxwell Salmon;**
Christopher Peter Hutchinson, both of
Auckland, New Zealand

[73] Assignee: **Fisher & Paykel Limited,** Auckland,
New Zealand

Primary Examiner—Pamela Burgess
Attorney, Agent, or Firm—Trexler, Bushnell, Giangiorgi &
Blackstone, Ltd.

[**] Term: **14 Years**

[57] CLAIM

[21] Appl. No.: **29/063,453**

The ornamental design for a healthcare apparatus, as shown and described.

[22] Filed: **Dec. 9, 1996**

[30] Foreign Application Priority Data

DESCRIPTION

Jun. 10, 1996 [NZ] New Zealand 27652

[51] **LOC (6) Cl.** **24-02**

[52] **U.S. Cl.** **D24/107; D24/185**

[58] **Field of Search** D24/107, 185,
D24/186; D6/486; 272/70.3; D26/107; 248/121,
125, 188.7, 122, 124, 158, 161, 98; 602/88,
90, 96, 108, 112; 211/205

FIG. 1 is a front elevational view of a healthcare apparatus showing our new design;

FIG. 2 is a top plan view thereof;

FIG. 3 is a side elevational view thereof, the undisclosed side being a mirror image; and,

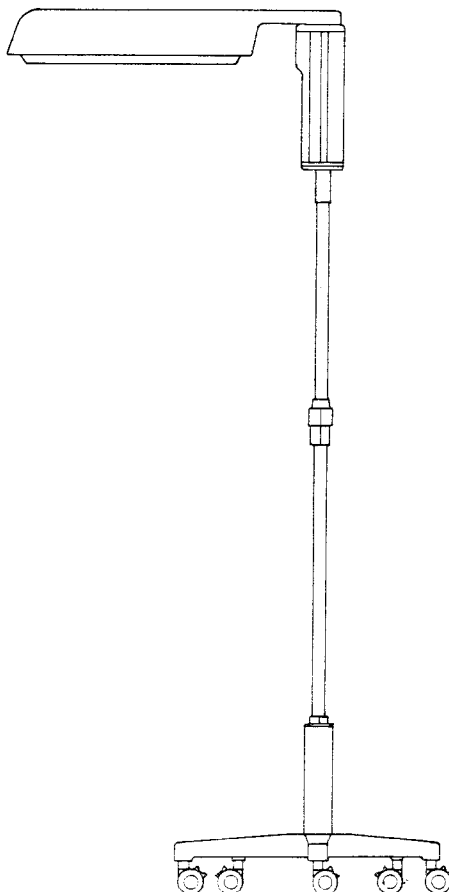
FIG. 4 is an enlarged perspective view thereof.

[56] References Cited

U.S. PATENT DOCUMENTS

D. 325,440 4/1992 Landis et al. D24/185

1 Claim, 3 Drawing Sheets



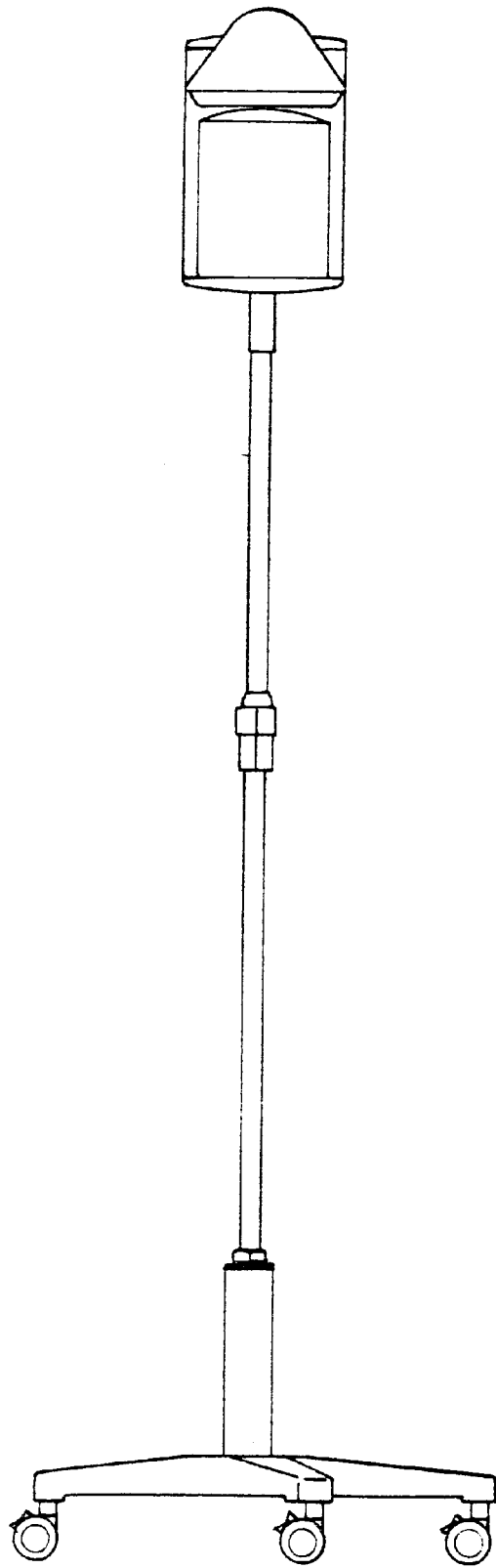


FIGURE 1

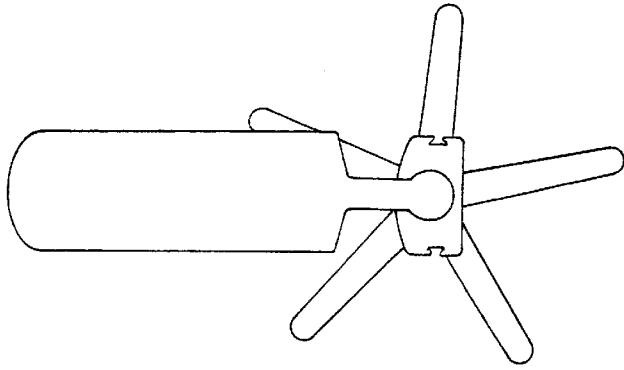


FIGURE 2

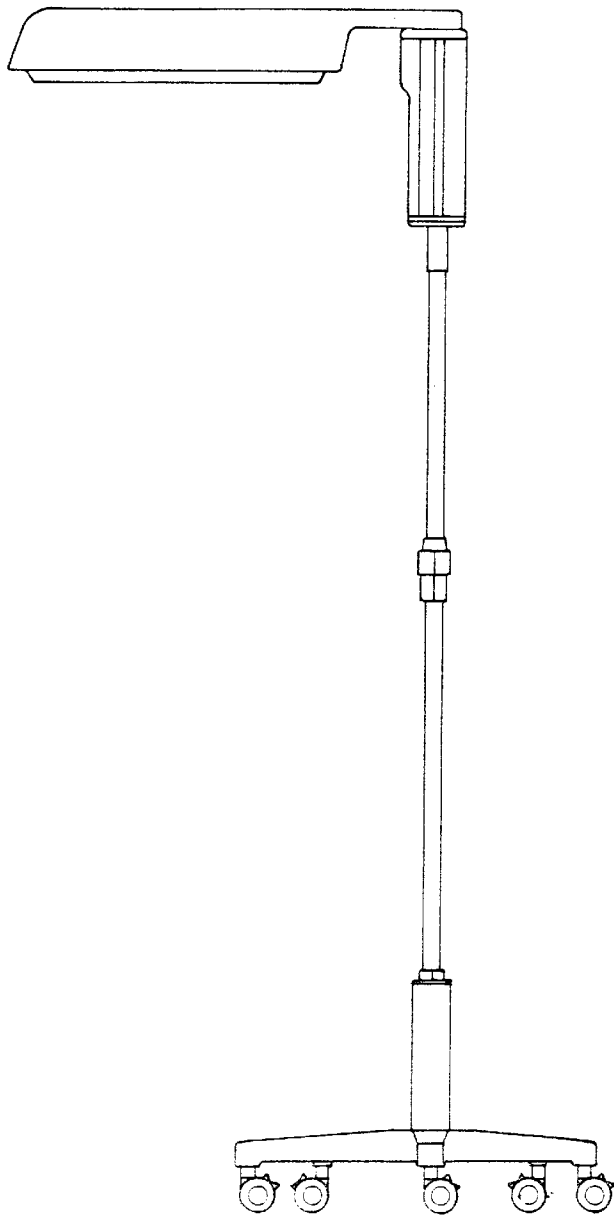


FIGURE 3

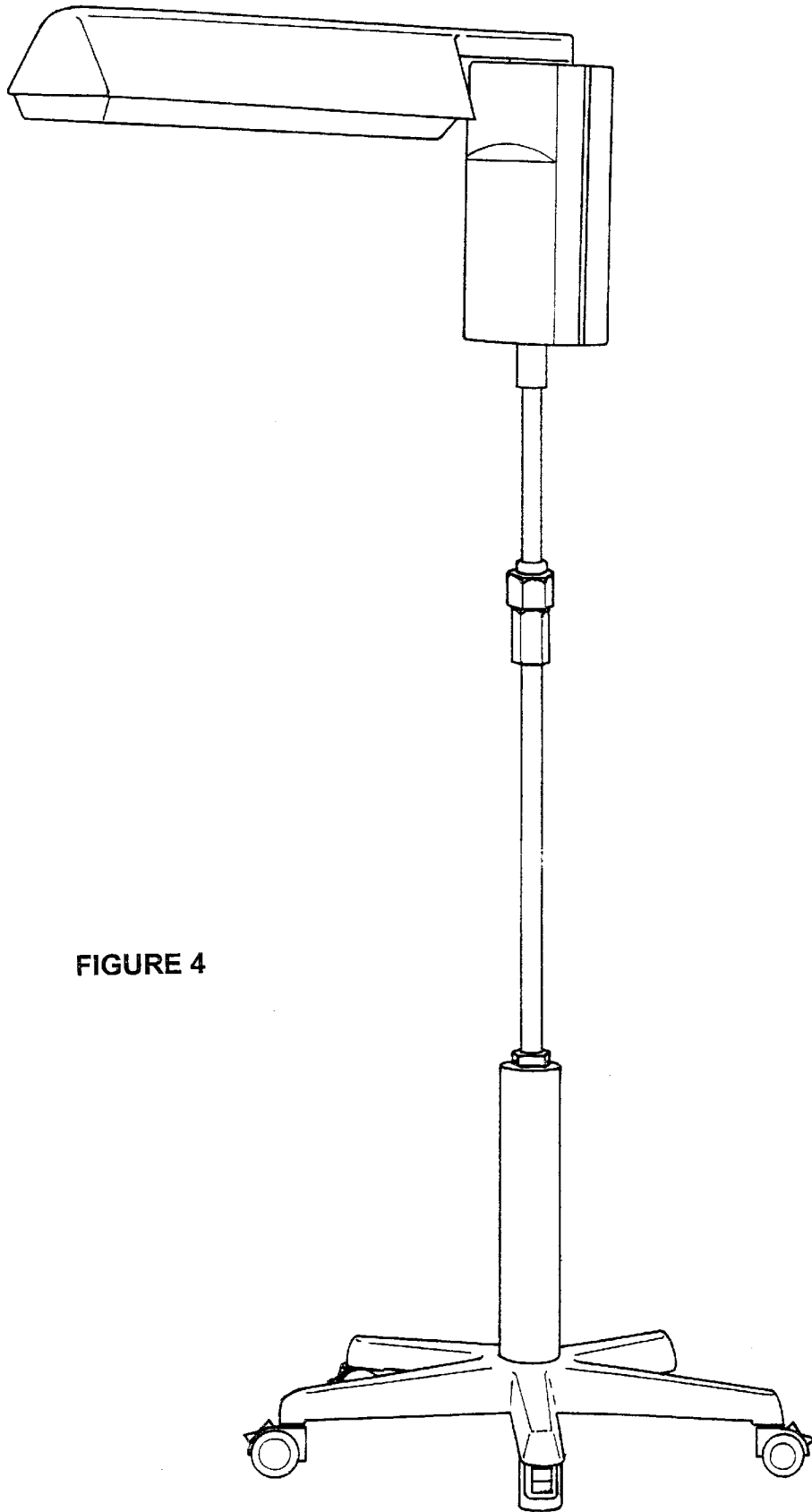


FIGURE 4