



US00D914006S

(12) **United States Design Patent**  
**Yoon**

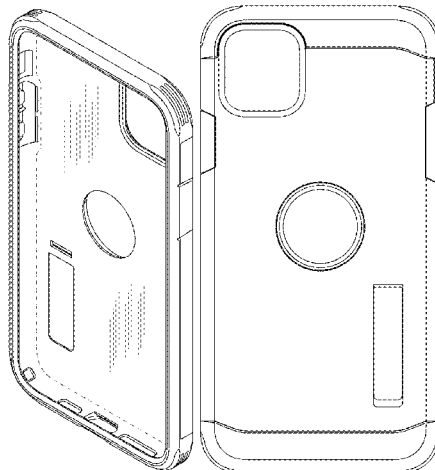
(10) **Patent No.:** **US D914,006 S**  
(45) **Date of Patent:** **\*\* Mar. 23, 2021**

- (54) **CASE FOR ELECTRONIC COMMUNICATIONS DEVICE**
- (71) Applicant: **SPIGEN KOREA CO., LTD.**, Seoul (KR)
- (72) Inventor: **Tae sung Yoon**, Seoul (KR)
- (73) Assignee: **SPIGEN KOREA CO., LTD.**, Seoul (KR)
- (\*\*) Term: **15 Years**
- (21) Appl. No.: **29/697,691**
- (22) Filed: **Jul. 10, 2019**
- (51) **LOC (13) Cl.** ..... **14-03**
- (52) **U.S. Cl.**  
USPC ..... **D14/250**
- (58) **Field of Classification Search**  
USPC ..... D14/440, 203.3–203.7, 439, 238.1,  
D14/251–253, 447, 217, 240, 248, 250;  
D3/201, 218, 247, 269, 273, 301, 303;  
D13/103, 119, 107–108  
CPC ..... H04B 1/3888; H04M 1/0283; H04M  
1/0202; A45C 1/06; A45C 11/00; A45C  
13/02; A45C 2011/002; A45F 2005/026;  
A45F 2200/0525; A45F 2200/0516  
See application file for complete search history.

D687,027 S	7/2013	Melanson et al.	
8,517,172 B1	8/2013	Chang	
D689,852 S	9/2013	Azoulay	
D690,305 S	9/2013	Wen	
D692,419 S *	10/2013	Rayner	D14/250
D692,878 S	11/2013	Akana	
D700,598 S	3/2014	Kim	
8,681,491 B1	3/2014	Cruz	
D703,652 S	4/2014	Melanson	
D703,653 S	4/2014	Brubaker et al.	
D703,654 S	4/2014	Melanson	
D703,655 S	4/2014	Melanson	
D706,254 S	6/2014	Chang	
D706,255 S	6/2014	Akana	
D712,386 S	9/2014	Lu	
D714,274 S	9/2014	Jung	
D714,276 S	9/2014	Hu	
D718,291 S	11/2014	Hong	
D718,757 S	12/2014	Jaffee	
D721,067 S	1/2015	Su	
D732,498 S	6/2015	Huang	
D732,543 S	6/2015	Westrup et al.	
9,049,283 B1	6/2015	Kim	
D736,205 S	8/2015	Park	
D739,391 S	9/2015	Chen	
D739,394 S *	9/2015	Rayner	D14/250
9,143,181 B1	9/2015	Jia	
D740,798 S	10/2015	Poon et al.	
D741,279 S	10/2015	Tai	
D741,844 S	10/2015	Rayner	
D741,845 S	10/2015	Kim	
D743,389 S	11/2015	Akana	
D743,931 S	11/2015	Hubbard	
D744,471 S	12/2015	Fitzgerald	
D746,275 S	12/2015	Mohammad	
D746,805 S	1/2016	Kim	
D747,303 S	1/2016	Su et al.	
D747,306 S	1/2016	Kim	
D748,614 S	2/2016	Ju	
D749,563 S	2/2016	Akana	
D749,567 S	2/2016	Lee	
D749,591 S	2/2016	Akana	
9,247,795 B2	2/2016	Kim	
D752,037 S	3/2016	Akana	
9,295,174 B2	3/2016	Witter	
9,300,768 B1	3/2016	Dining et al.	
9,301,414 B2	3/2016	Chao	
D753,099 S	4/2016	Kim	
D753,641 S	4/2016	Roberts	
D754,651 S	4/2016	Roberts	
D754,652 S	4/2016	Robert	
D756,340 S	5/2016	Babichenko	
D756,343 S	5/2016	Wall et al.	

(56) **References Cited**  
**U.S. PATENT DOCUMENTS**

7,301,759 B2	11/2007	Hslung	
D559,230 S	1/2008	Griffin	
D583,572 S	12/2008	Zhai	
D590,386 S	4/2009	Leith	
D625,303 S *	10/2010	Kim	D14/250
D648,332 S	11/2011	Kim et al.	
D657,782 S	4/2012	Biller	
D663,263 S	7/2012	Gupta	
D663,294 S	7/2012	Buxton	
8,243,428 B2	8/2012	Fu	
D671,930 S	12/2012	Akana	
D676,845 S	2/2013	Melanson et al.	
D679,271 S	4/2013	Liu	



D756,947	S	5/2016	Walliser	
D761,239	S	7/2016	Kim	
D765,628	S	9/2016	Watt et al.	
D765,629	S	9/2016	Watt	
D765,633	S	9/2016	Northrup et al.	
D765,635	S	9/2016	Chang et al.	
D765,644	S	9/2016	Witter et al.	
D771,028	S	11/2016	Kim	
D771,607	S	11/2016	Kim	
D771,608	S	11/2016	Kim	
D772,209	S	11/2016	Kim	
D772,211	S	11/2016	Poon et al.	
D775,619	S	* 1/2017	Tien	D14/250
D775,620	S	1/2017	Kim	
D776,649	S	1/2017	Kim	
D777,155	S	1/2017	Kim	
D777,156	S	1/2017	Kim	
D777,716	S	1/2017	Kim	
D777,717	S	1/2017	Kim	
D778,897	S	2/2017	Kim	
D778,898	S	2/2017	Kim	
D780,167	S	2/2017	Tien	
D780,738	S	3/2017	Barfoot et al.	
D781,837	S	3/2017	Kim et al.	
D786,233	S	5/2017	Kim	
D786,851	S	5/2017	Kim	
D787,498	S	* 5/2017	Chen	D14/250
D788,090	S	5/2017	Kim	
D788,757	S	* 6/2017	Kim	D14/250
D788,760	S	* 6/2017	Kim	D14/250
D789,344	S	6/2017	Kim	
D796,497	S	* 9/2017	Kim	D14/250
D796,498	S	9/2017	Babichenko	
D798,284	S	* 9/2017	Kim	D14/250
D800,713	S	* 10/2017	Kim	D14/250
D803,206	S	* 11/2017	Kim	D14/250
D807,338	S	* 1/2018	Kim	D14/250
D815,085	S	4/2018	Kim	
D816,650	S	* 5/2018	Jia	D14/250
D819,012	S	5/2018	Kim et al.	
D819,013	S	5/2018	Kim et al.	
D819,014	S	5/2018	Kim et al.	
D820,245	S	6/2018	Kim et al.	
D824,376	S	* 7/2018	Lee	D14/250
D824,377	S	7/2018	Kim et al.	
D827,627	S	* 9/2018	Lee	D14/250
D836,623	S	* 12/2018	Hyun	D14/250
D837,197	S	* 1/2019	Kim	D14/250
D841,639	S	* 2/2019	Liao	D14/250
D841,640	S	* 2/2019	Huang	D14/250
D845,941	S	* 4/2019	Chen	D14/250
D849,734	S	* 5/2019	Wu	D14/250
10,361,742	B2	* 7/2019	Kim	F16M 13/022
10,362,847	B1	* 7/2019	Okada	A45C 11/00
2011/0164358	A1	7/2011	Duan	
2013/0077211	A1	3/2013	Wang	
2013/0257240	A1	10/2013	Hong	
2014/0146441	A1	5/2014	Hautamaki	
2014/0284096	A1	9/2014	Wu	
2015/0194997	A1	7/2015	Johnson	
2015/0382495	A1	12/2015	Lim	
2016/0101902	A1	4/2016	Kim	
2016/0204817	A1	7/2016	Kim	
2017/0150792	A1	* 6/2017	Kim	B08B 3/022
2017/0230072	A1	* 8/2017	Kim	H04B 1/3888
2019/0372614	A1	* 12/2019	Kovacs	H04B 1/3877

“Spigen Tough Armor Galaxy S5 Case with Extreme Heavy Duty Protection and Air Cushion Technology for Samsung Galaxy S5 2014—Gunmetal”, <https://www.amazon.com/Spigen-Extreme-Protection-Cushion-Technology/dp/B00I3UWDV8>, Earliest review date of Mar. 9, 2014, Downloaded on Aug. 9, 2018.

“Spigen Tough Armor iPhone 6 Plus Case with Kickstand and Extreme Heavy Duty Protection and Air Cushion Technology for iPhone 6S Plus / iPhone 6 Plus—Gunmetal”, <https://www.amazon.com/dp/B00LL987W2>, Earliest review date of Jul. 8, 2014, Downloaded on Oct. 4, 2017.

“Spigen Tough Armor iPhone 6 Case with Extreme Heavy Duty Protection and Air Cushion Technology for iPhone 6S/iPhone 6—Smooth Black”, <https://www.amazon.com/Spigen-Extreme-Protection-Cushion-Technology/dp/B00NSSX23I>, Earliest review date of Aug. 14, 2014, Downloaded on Aug. 9, 2018.

“Spigen Tough Armor iPhone 6 Case with Extreme Heavy Duty Protection and Air Cushion Technology for iPhone 6S / iPhone 6—Gunmetal”, <https://www.amazon.com/Spigen-Extreme-Protection-Cushion-Technology/dp/B00LL60JU8>, Earliest review date of Sep. 10, 2014, Downloaded on Jan. 15, 2019.

“Spigen Tough Armor S iPhone 6 Case with Extreme Heavy Duty Protection and Card Kickstand Feature for iPhone 6S / iPhone 6—S Mint”, <https://www.amazon.com/Spigen-Extreme-Protection-Kickstand-Feature/dp/B00LL65B06>, Earliest review date of Sep. 18, 2014, Downloaded on Jan. 15, 2019.

“Spigen Tough Armor Galaxy Note 4 Case with Extreme Heavy Duty Protection and Air Cushion Technology for Samsung Galaxy Note 4 2014—Gunmetal”, <https://www.amazon.com/dp/B00MAWQU14>, Earliest review date of Oct. 9, 2014, Downloaded on Aug. 31, 2018.

“Spigen Tough Armor FX iPhone 6 Case with Extreme Protection and Front Built-In Screen Protector Cover for iPhone 6S / iPhone 6—Gunmetal”, <https://www.amazon.com/Spigen-iPhone-Extreme-Protection-Protector/dp/B00PR9XE5C>, Earliest review date of Jan. 8, 2015, Downloaded on Jan. 15, 2019.

“Spigen Tough Armor Galaxy S6 Edge Case with Kickstand and Extreme Heavy Duty Protection and Air Cushion Technology for Galaxy S6 Edge 2015—Gunmetal”, <https://www.amazon.com/dp/B00SV63L38>, Earliest review date of Mar. 12, 2015, Downloaded on Aug. 9, 2018.

“Spigen Tough Armor Galaxy S6 Case with Kickstand and Air Cushion Technology for Galaxy S6 2015—Gunmetal”, <https://www.amazon.com/dp/B00QU4PUKK>, Earliest review date of Mar. 23, 2015, Downloaded on Aug. 9, 2018.

Spigen Tough Armor iPhone 6S Case with Extreme Heavy Duty Protection and Air Cushion Technology for iPhone 6S/iPhone 6—Rose Gold, <https://www.amazon.com/dp/B013TKNNGK>, Earliest review date of Aug. 30, 2015, Downloaded on Aug. 8, 2018.

“Spigen Tough Armor iPhone 6S Plus Case with Kickstand and Heavy Duty Air Cushion Technology Protection for iPhone 6S Plus/iPhone 6 Plus Only—Gunmetal”, <https://www.amazon.com/Spigen-Kickstand-Cushion-Technology-Protection/dp/B010MVQJPQ>, Earliest review date of Sep. 9, 2015, Downloaded on Aug. 9, 2018.

“Spigen Tough Armor Galaxy S7 Edge Case with Kickstand and Extreme Heavy Duty Protection and Air Cushion Technology for Samsung Galaxy S7 Edge 2016—Gunmetal”, <https://www.amazon.com/dp/B01A7IDNWQ>, Earliest review date of Feb. 24, 2016, Downloaded on Aug. 9, 2018.

“Spigen Tough Armor Galaxy S7 Case with Extreme Heavy Duty Protection and Air Cushion Technology for Samsung Galaxy S7 2016—Gunmetal”, <https://www.amazon.com/dp/B01A7ID3PS>, Earliest review date of Feb. 25, 2016, Downloaded on Aug. 9, 2018.

“Spigen Tough Armor LG G5 Case with Reinforced Kickstand and Heavy Duty Protection and Air Cushion Technology for LG G5 (2016)—Gunmetal”, <https://www.amazon.com/dp/B01B1GQL6I>, Earliest review date of Mar. 11, 2016, Downloaded on Aug. 9, 2018.

“Spigen Tough Armor iPhone SE Case with Extreme Heavy Duty Protection and Air Cushion Technology for iPhone SE 2016—Black”, <https://www.amazon.com/Spigen-Extreme-Protection-Cushion-Technology/dp/B01BEJB9XM>, Earliest review date of Apr. 7, 2016, Downloaded on Aug. 9, 2018.

OTHER PUBLICATIONS

“Spigen Tough Armor iPhone Se/5S/5 Case with Extreme Heavy Duty Protection and Air Cushion Technology for iPhone SE/iPhone 5S/iPhone 5—Metal Slate”, <https://www.amazon.com/Spigen-Extreme-Protection-Cushion-Technology/dp/B00DMKGPP4>, Earliest review date of Aug. 1, 2013, Downloaded on Aug. 9, 2018.

“Spigen Tough Armor Designed for Apple iPad Mini 3 Case, iPad Mini 2 Case, iPad Mini Case—Metal Slate”, <https://www.amazon.com/Spigen-Tough-Armor-Designed-Apple/dp/B00FRVDVXK>, Earliest review date of Dec. 27, 2013, Downloaded on Jan. 15, 2019.

“Spigen Tough Armor Heavy Duty Extreme Protection Rugged Slim Dual Layer Protective Cover Case for Apple iPhone 7—Gunmetal”, <https://www.amazon.co.uk/dp/B01GIVWY30>, Date first available at Amazon.co.uk of Aug. 2, 2016, Downloaded on Sep. 17, 2018.

“Spigen Tough Armor iPhone 7 Plus / iPhone 8 Plus Case with Extreme Heavy Duty Protection and Air Cushion Technology with Kickstand for Apple iPhone 7 Plus 2016 / iPhone 8 Plus 2017—Rose Gold”, <https://www.amazon.com/dp/B01GIWGE8A>, Earliest review date of Sep. 6, 2016, Downloaded on Aug. 9, 2018.

“Spigen Tough Armor iPhone 7 Case with Extreme Heavy Duty Protection and Air Cushion Technology for iPhone 7 2016—Black”, <https://www.amazon.com/dp/B01GIVX30I>, Earliest review date of Sep. 9, 2016, Downloaded on Aug. 9, 2018.

“Spigen Tough Armor iPhone 7 Case with Jet Black Optimized Color and Extreme Heavy Duty Protection and Air cushion Technology for iPhone 7 2016—Jet Black”, <https://www.amazon.com/Spigen-Optimized-Extreme-Protection-Technology/dp/B01LRSFLFM>, Earliest review date of Sep. 25, 2016, Downloaded on Aug. 9, 2018.

“Spigen Tough Armor Google Pixel Case with Kickstand and Heavy Duty Air Cushion Technology Protection for Google Pixel 2016—Black”, <https://www.amazon.com/Spigen-Kickstand-Cushion-Technology-Protection/dp/B01M12Z4PY>, Earliest review date of Oct. 20, 2016, Downloaded on Aug. 9, 2018.

“Spigen Tough Armor Google Pixel XL Case with Kickstand and Heavy Duty Air Cushion Technology Protection for Google Pixel XL 2016—Gunmetal”, <https://www.amazon.com/Spigen-Kickstand-Cushion-Technology-Protection/dp/B01LZGCH6E>, Earliest review date of Oct. 21, 2016, Downloaded on Aug. 9, 2018.

“Spigen Tough Armor LG V20 Case with Kickstand and Extreme Heavy Duty Protection and Air Cushion Technology for LG V20—Gunmetal”, <https://www.amazon.com/Spigen-Kickstand-Extreme-Protection-Technology/dp/B01M9F154B>, Earliest review date of Dec. 2, 2016, Downloaded on Aug. 9, 2018.

“Spigen Tough Armor Designed for Apple Watch Case for 42mm Series 3 / Series 2/1 / Original (2015) / Nike+ Sport Edition and Built in Screen Protector—Gunmetal”, <https://www.amazon.com/dp/B01N74P26H>, Earliest review date of Jan. 4, 2017, Downloaded on Jan. 15, 2019.

“Spigen Tough Armor LG G6 Case with Extreme Heavy Duty Protection and Air Cushion Technology for LG G6 (2017)—Black”, <https://www.amazon.com/dp/B01MR8C4RY>, Earliest review date of Mar. 26, 2017, Downloaded on Aug. 3, 2018.

“Spigen Tough Armor Galaxy S8 Plus Case with Reinforced Kickstand and Heavy Duty Protection and Air Cushion Technology for Samsung Galaxy S8 Plus (2017)—Black”, <https://www.amazon.com/dp/B06XP4FP8N>, Earliest review date of Apr. 8, 2017, Downloaded on Aug. 9, 2018.

“Spigen Tough Armor Galaxy S8 Case with Kickstand and Extreme Heavy Duty Protection and Air Cushion Technology for Samsung Galaxy S8 (2017)—Black”, <http://www.amazon.com/dp/B0716CZ3Z1>, Earliest review date of Apr. 9, 2017, downloaded on Aug. 9, 2018.

“Spigen Tough Armor [2nd Generation] iPhone 8 Plus Case/iPhone 7 Plus Case with Kickstand Air Cushion Technology for Apple iPhone 8 Plus (2017) / iPhone 7 Plus (2016)—Black”, <http://www.amazon.com/dp/B07482KRLP>, Earliest review date of Aug. 18, 2017, downloaded on Jan. 15, 2019.

“Spigen Tough Armor [2nd Generation] iPhone 8 Plus Case/iPhone 7 Plus Case with Kickstand Air Cushion Technology for Apple iPhone 8 Plus (2017)/iPhone 7 Plus (2016)—Rose Gold”, <http://www.amazon.com/dp/B074826HMD>, Earliest review date of Aug. 18, 2017, downloaded on Aug. 9, 2018.

“Spigen Tough Armor Galaxy Note 8 Case with Kickstand and Extreme Heavy Duty Protection and Air Cushion Technology for Galaxy Note 8 (2017)—Orchid Gray”, <http://www.amazon.com/dp/B073R7MND3>, Earliest review date of Aug. 26, 2017, downloaded on Aug. 9, 2018.

“Spigen Tough Armor [2nd Generation] iPhone 8 Case/iPhone 7 Case with Kickstand and Heavy Duty Protection and Air Cushion Technology for Apple iPhone 8 (2017)/iPhone 7 (2016)—Gunmetal”, <http://www.amazon.com/dp/B07482KVD3>, Earliest review date of Sep. 2, 2017, downloaded on Aug. 9, 2018.

“Spigen Tough Armor LG V30 Case with Kickstand and Heavy Duty Protection for LG V30 (2017)—Black”, <http://www.amazon.com/dp/B071WS1TYG>, Earliest review date of Sep. 8, 2017, downloaded on Aug. 9, 2018.

“Spigen Tough Armor Galaxy S8 Active Case with Kickstand and Extreme Heavy Duty Protection and Air Cushion Technology for Galaxy S8 Active (2017)—Gunmetal”, <http://www.amazon.com/dp/B0746PT25T>, Earliest review date of Sep. 15, 2017, downloaded on Aug. 9, 2018.

“Spigen Tough Armor Designed for Apple iPhone X Case (2018) / Designed for Apple iPhone X Case (2017)—Matte Black”, <http://www.amazon.com/dp/B074CMT7HV>, Earliest review date of Sep. 27, 2017, downloaded on Jan. 15, 2019.

“Spigen Tough Armor Designed for Apple iPad Pro 10.5 Case (2017)—Black”, <http://www.amazon.com/dp/B0751GFB8X>, Earliest review date of Oct. 11, 2017, downloaded on Jan. 15, 2019.

“Spigen Tough Armor Designed for Apple iPad 9.7 Case iPad Case (2017/2018)—Black”, <http://www.amazon.com/dp/B072F7DGMI>, Earliest review date of Oct. 23, 2017, downloaded on Jan. 15, 2019.

“Spigen Tough Armor Google Pixel 2 Case with Kickstand and Extreme Heavy Duty Protection and Air Cushion Technology for Google Pixel 2 (2017)—Gunmetal”, <http://www.amazon.com/dp/B0747523HC>, Earliest review date of Oct. 28, 2017, downloaded on Aug. 9, 2018.

“Spigen Tough Armor Google Pixel 2 XL Case with Kickstand and Extreme Heavy Duty Protection and Air Cushion Technology for Google Pixel 2 XL (2017)—Black”, <http://www.amazon.com/dp/B07477LL8Q>, Earliest review date of Oct. 29, 2017, downloaded on Aug. 9, 2018.

“Spigen Tough Armor Moto Z2 Force Case with Kickstand and Extreme Heavy Duty Protection and Air Cushion Technology for Moto Z2 Force (2017)—Gunmetal”, <http://www.amazon.com/dp/B074PB5HQ1>, Earliest review date of Nov. 21, 2017, downloaded on Aug. 9, 2018.

“Spigen Tough Armor TECH Designed for Apple iPad 9.7 Case iPad Case (2017/2018)—Black”, <http://www.amazon.com/dp/B078FGC17H>, Earliest review date of Feb. 18, 2018, downloaded on Jan. 15, 2019.

“Spigen Tough Armor Galaxy S9 Plus Case with Reinforced Kickstand and Heavy Duty Protection and Air Cushion Technology for Samsung Galaxy S9 Plus (2018)—Lilac Purple”, <http://www.amazon.com/dp/B078BBPY98>, Earliest review date of Mar. 1, 2018, downloaded on Jan. 15, 2019.

“Spigen Tough Armor Galaxy S9 Case with Reinforced Kickstand and Heavy Duty Protection and Air Cushion Technology for Samsung Galaxy S9 (2018)—Graphite Gray”, <http://www.amazon.com/dp/B078B3K513>, Earliest review date of Mar. 10, 2018, downloaded on Jan. 16, 2019.

“Spigen Tough Armor Galaxy S9 Case with Reinforced Kickstand and Heavy Duty Protection and Air Cushion Technology for Samsung Galaxy S9 (2018)—Graphite Gray”, <http://www.amazon.com/dp/B078B3K513>, Earliest review date of Mar. 10, 2018, downloaded on Aug. 9, 2018.

“Spigen Tough Armor LG G7 Case/LG G7 ThinQ Case with Reinforced Kickstand and Heavy Duty Protection and Air cushion Technology for LG G7 ThinQ (2018)—Gunmetal”, <https://www.amazon.com/Spigen-Reinforced-Kickstand-Protection-Technology/dp/B078MVT4YD>, Earliest review date of Jun. 1, 2018, downloaded on Aug. 9, 2018.

\* cited by examiner

*Primary Examiner* — Carla J Wright  
(74) *Attorney, Agent, or Firm* — Heedong Chae; Lucem, PC

(57) **CLAIM**

The ornamental design for a case for electronic communications device, as shown and described.

**DESCRIPTION**

FIG. 1 is a front perspective view of a case for electronic communications device showing my new design;

FIG. 2 is a rear perspective view thereof;  
FIG. 3 is a front elevational view thereof;  
FIG. 4 is a rear elevational view thereof;  
FIG. 5 is a left side elevational view thereof;  
FIG. 6 is a right side elevational view thereof;  
FIG. 7 is a top plan view thereof;  
FIG. 8 is a bottom plan view thereof;  
FIG. 9 is a front perspective view showing the inner shell component of the case separately for clarity of disclosure;  
FIG. 10 is a rear perspective view showing the inner shell component of the case separately for clarity of disclosure;  
FIG. 11 is a front perspective view showing the outer frame component of the case separately for clarity of disclosure;  
FIG. 12 is a rear perspective view showing the outer frame component of the case separately for clarity of disclosure;  
FIG. 13 is a front perspective view showing the support leg component of the case separately for clarity of disclosure;  
FIG. 14 is a rear perspective view showing the support leg component of the case separately for clarity of disclosure;

FIG. 15 is an exploded front perspective view showing the components of the case separated for clarity of disclosure; and,

FIG. 16 is an exploded rear perspective view showing the components of the case separated for clarity of disclosure. Although the case for electronic communications device, in which the claimed design is embodied, has an inner shell component, an outer frame component, and a support leg component, the claim is directed to the overall ornamental appearance of the case in its entirety and does not extend to the ornamental appearance of each of the individual components in isolation.

The broken lines throughout the drawing figures depict portions of the case for electronic communications device that form no part of the claimed design. Except for the interior button region and the interior edges of the various openings which are shown in solid lines, the unshaded interior surface that is delineated by a broken line in FIGS. 1, 9, and 15 forms no part of the claimed design.

**1 Claim, 16 Drawing Sheets**

FIG. 1

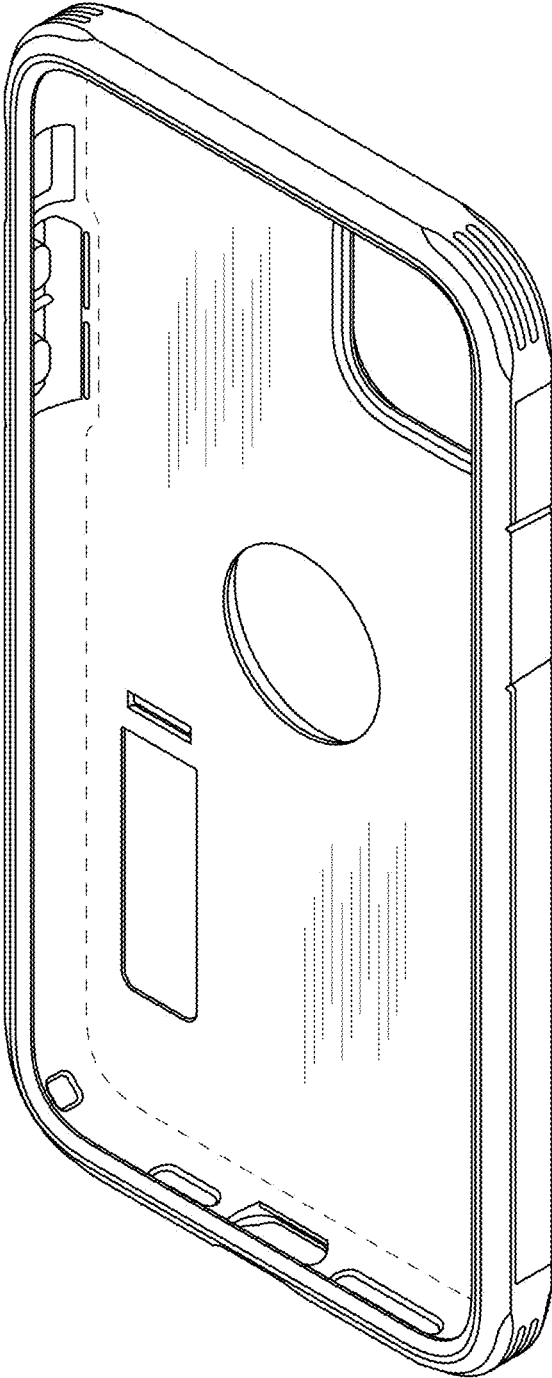


FIG. 2

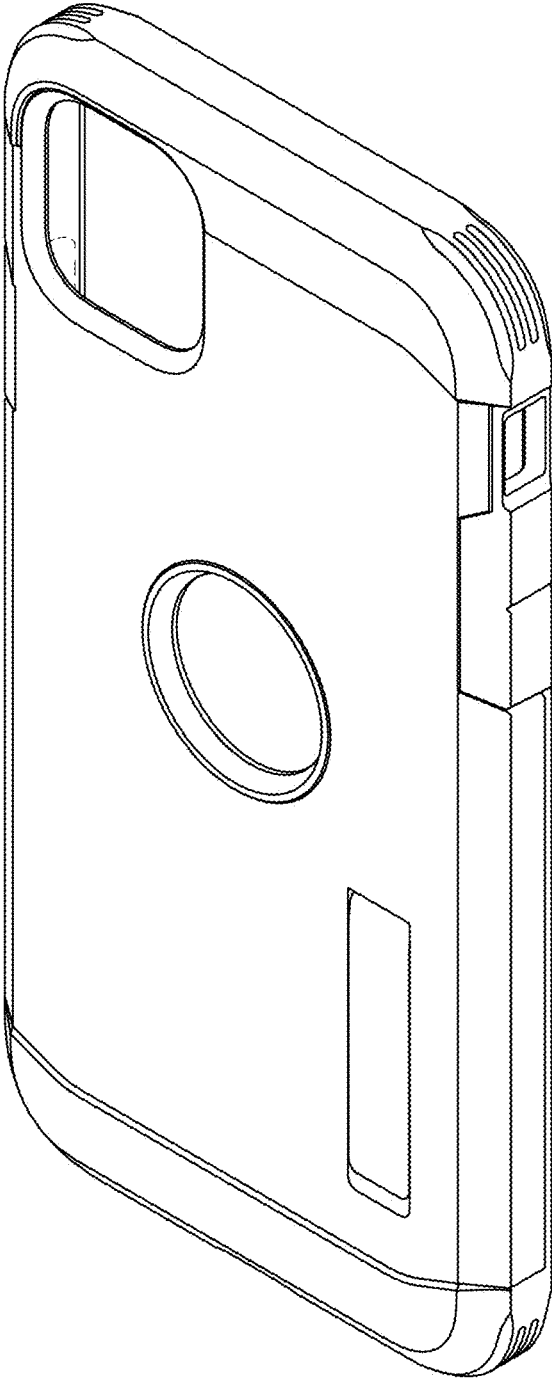


FIG. 3

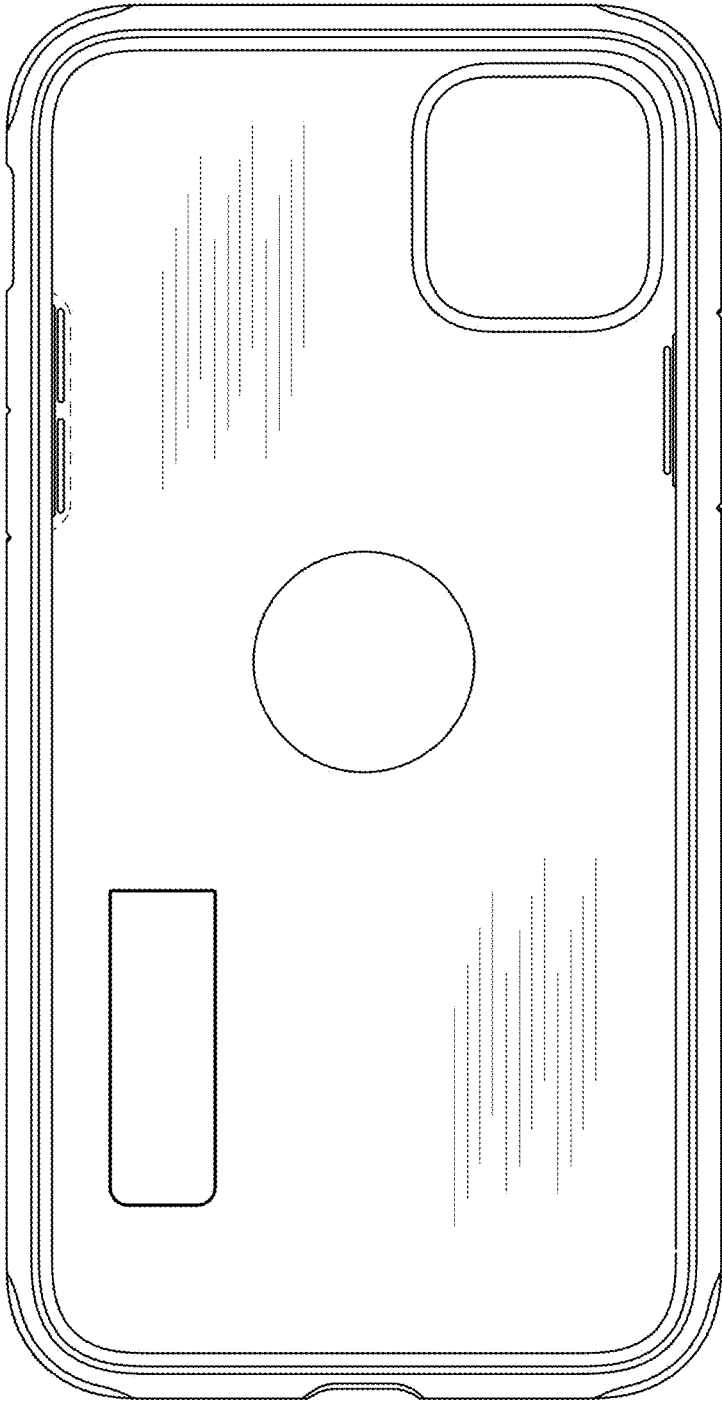


FIG. 4

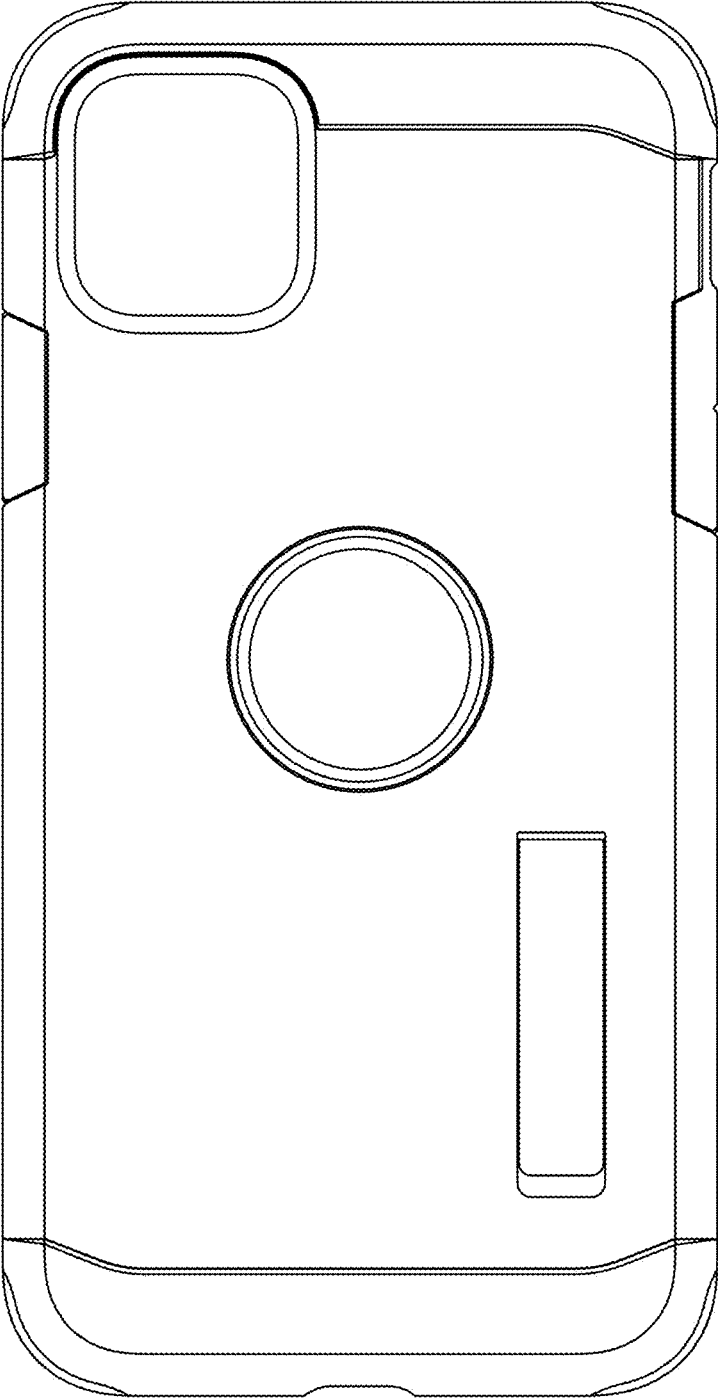




FIG. 5



FIG. 6

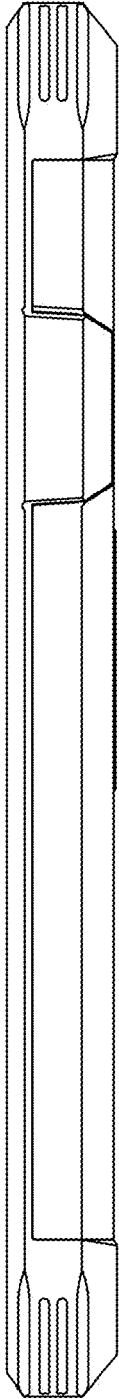


FIG. 7

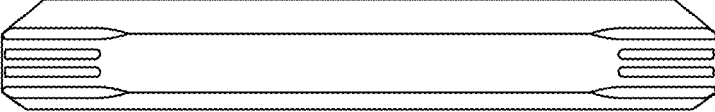


FIG. 8

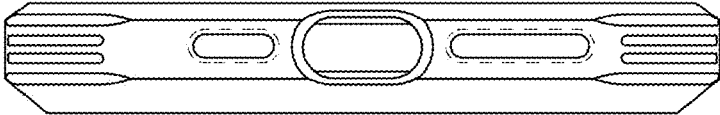


FIG. 9

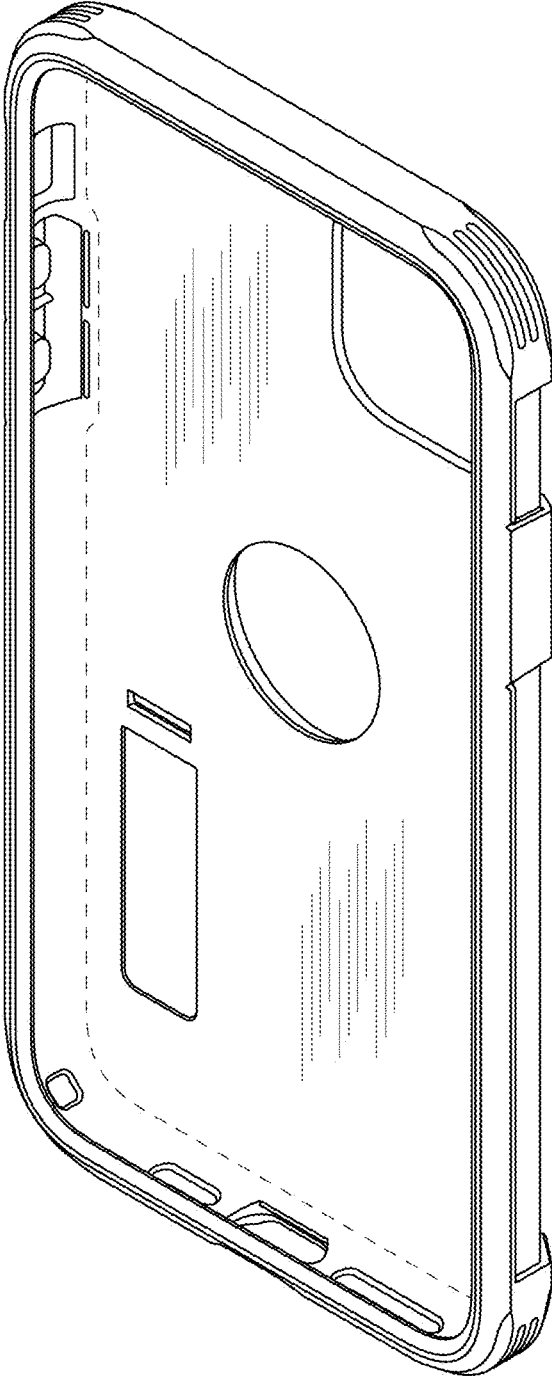


FIG. 10

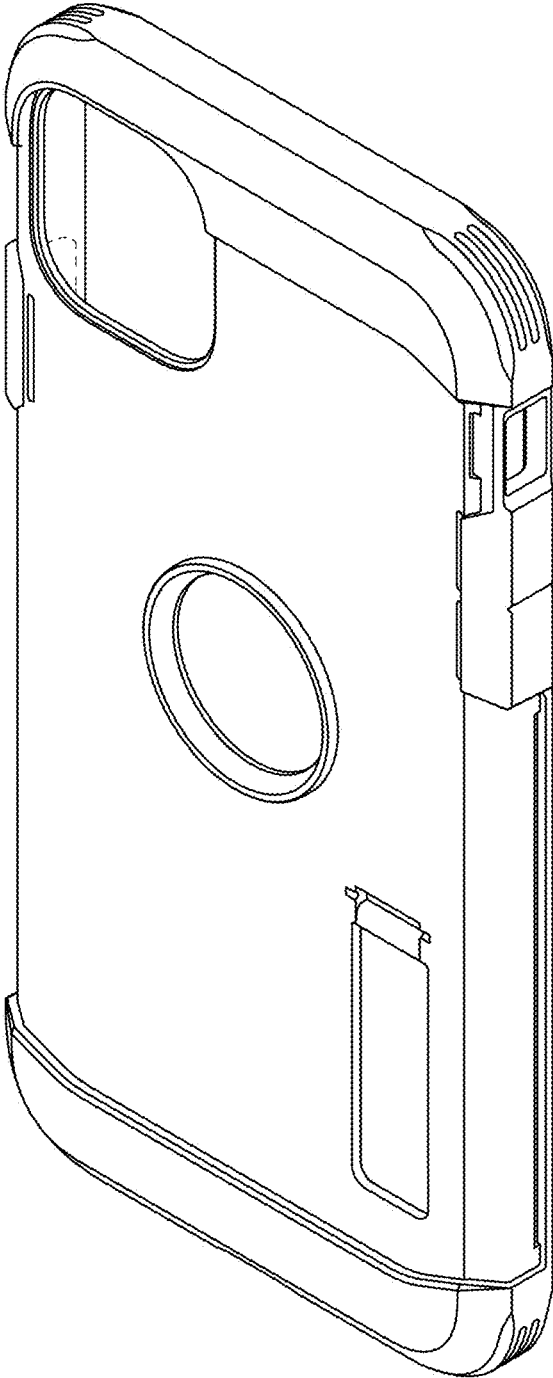


FIG. 11

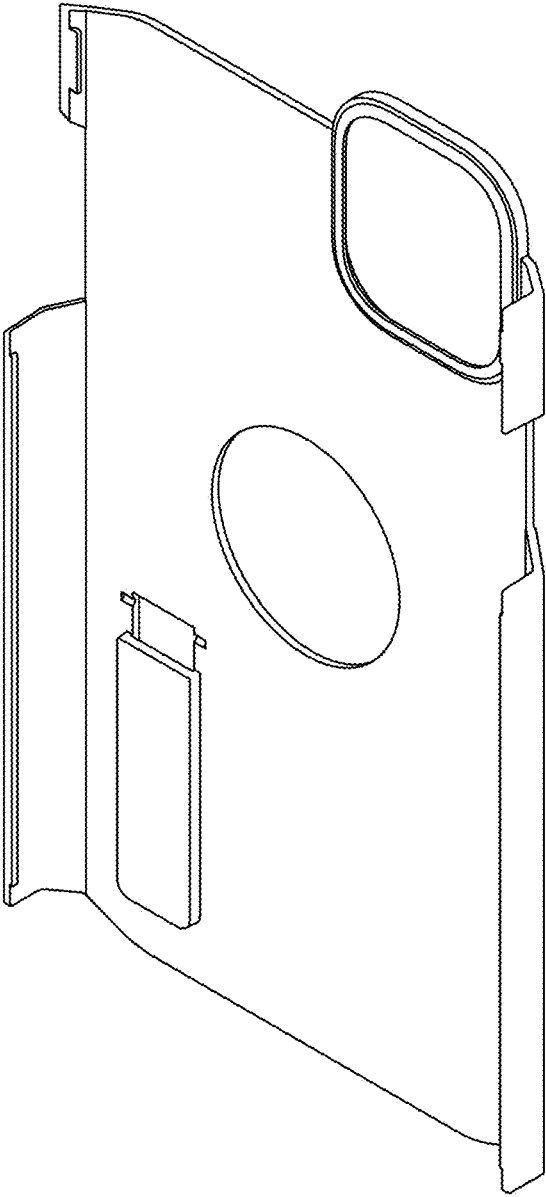


FIG. 12

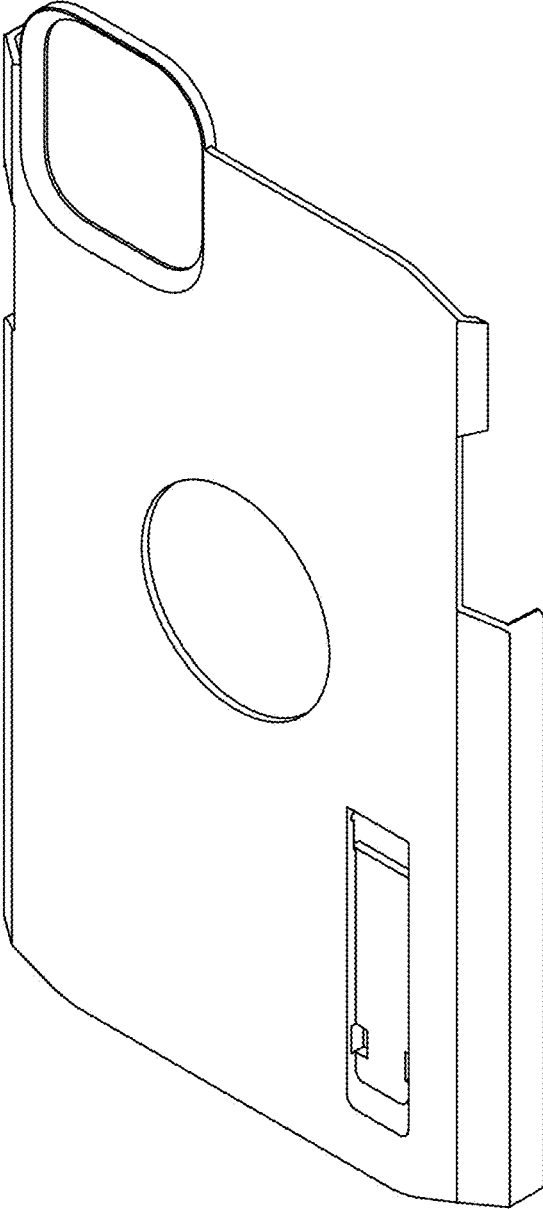




FIG. 13



FIG. 14



FIG. 15

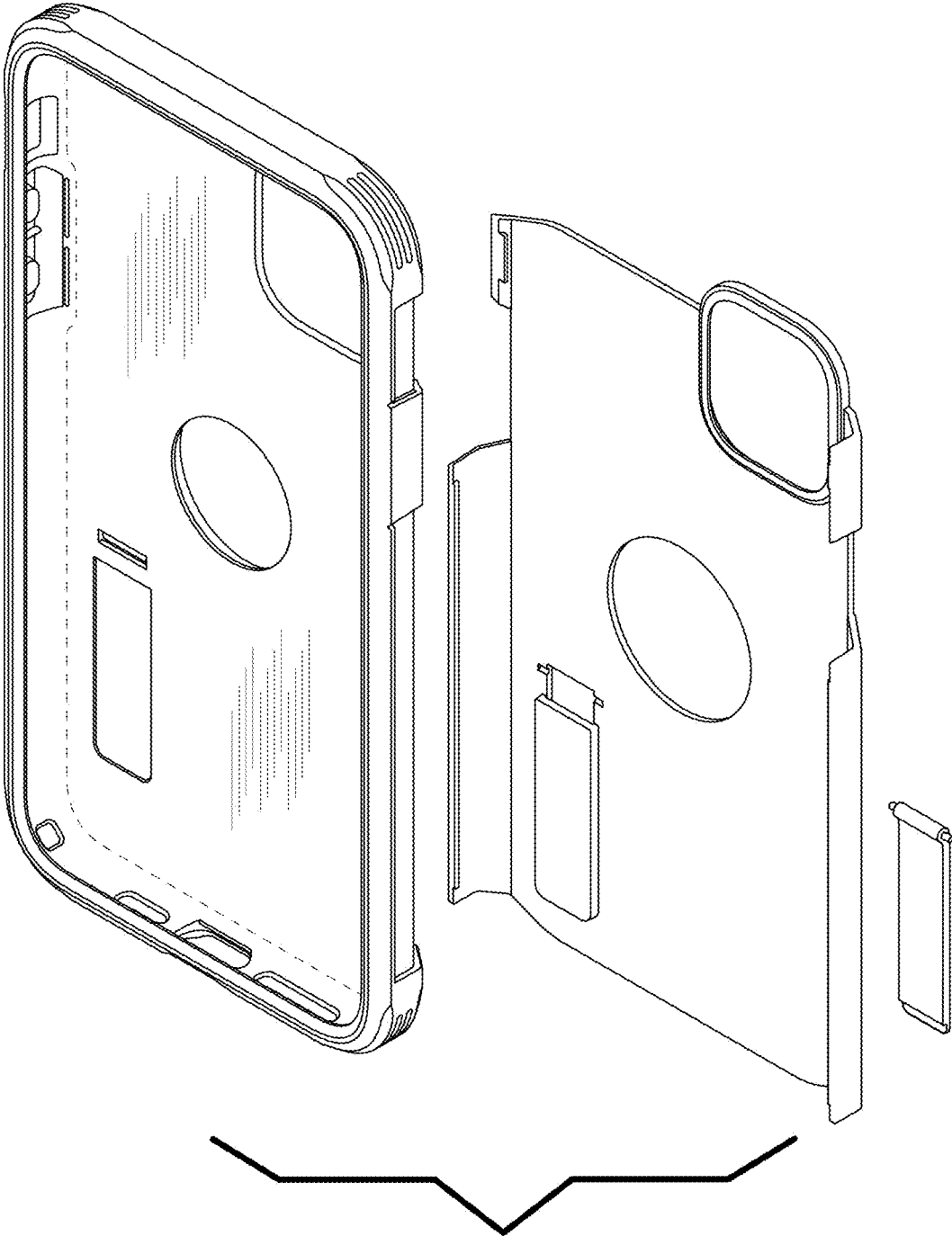


FIG. 16

