



US00D785735S

(12) **United States Design Patent**  
**Bacon et al.**

(10) **Patent No.:** **US D785,735 S**  
(45) **Date of Patent:** **\*\* May 2, 2017**

- (54) **GOLF CLUB HEAD**
- (71) Applicant: **Karsten Manufacturing Corporation**,  
Phoenix, AZ (US)
- (72) Inventors: **Cory Bacon**, Phoenix, AZ (US); **Ryan Stokke**, Phoenix, AZ (US); **Martin Jertson**, Phoenix, AZ (US); **Xiaojian Chen**, Phoenix, AZ (US); **Daniel Lee**, Phoenix, AZ (US)
- (73) Assignee: **Karsten Manufacturing Corporation**,  
Phoenix, AZ (US)
- (\*\*) Term: **15 Years**
- (21) Appl. No.: **29/540,205**

D557,362 S *	12/2007	Serrano	.....	D21/752
D557,363 S	12/2007	Jertson		
D558,287 S	12/2007	Jertson		
D558,288 S	12/2007	Jertson		
D562,421 S	2/2008	Jertson		
D563,498 S	3/2008	Jertson		
D564,054 S	3/2008	Jertson		
D564,055 S	3/2008	Jertson		
D564,056 S	3/2008	Chen		
D566,214 S	4/2008	Evans		
D567,317 S	4/2008	Jertson		
D567,891 S	4/2008	Serrano		
D569,933 S	5/2008	Jertson		
D569,934 S	5/2008	Jertson		
D569,935 S	5/2008	Schweigert		
D569,936 S	5/2008	Schweigert		
D569,937 S	5/2008	Sanchez		
D569,938 S	5/2008	Sanchez		
D570,937 S	6/2008	Schweigert		
D570,938 S	6/2008	Jertson		

(Continued)

*Primary Examiner* — Mitchell Siegel

- (22) Filed: **Sep. 22, 2015**
- (51) **LOC (10) Cl.** ..... **21-02**
- (52) **U.S. Cl.**  
USPC ..... **D21/752**
- (58) **Field of Classification Search**  
USPC ..... D21/759, 752  
CPC ..... A63B 53/04; A63B 53/0466; A63B  
2053/002; A63B 2053/0445; A63B  
2053/0433; A63B 2053/0437; A63B  
2053/0491  
See application file for complete search history.

(57) **CLAIM**

The ornamental design for a golf club head, as shown and described.

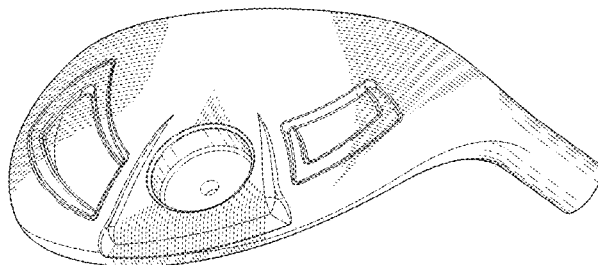
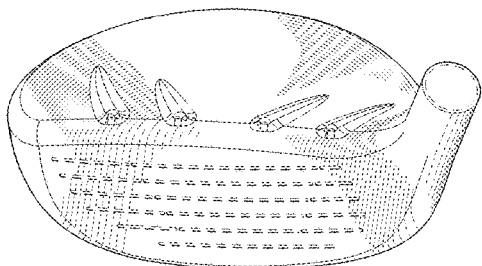
**DESCRIPTION**

FIG. 1 is a top perspective view of a golf club head; FIG. 2 is a bottom perspective view of the golf club head of FIG. 1; FIG. 3 is a front view of the golf club head of FIG. 1; FIG. 4 is a rear view of the golf club head of FIG. 1; FIG. 5 is a top view of the golf club head of FIG. 1; FIG. 6 is a bottom view of the golf club head of FIG. 1; FIG. 7 is a left view of the golf club head of FIG. 1; and, FIG. 8 is a right view of the golf club head of FIG. 1. The broken lines shown in one or more of the figures are for illustrative purposes only and form no part of the claimed design.

**1 Claim, 4 Drawing Sheets**

(56) **References Cited**  
U.S. PATENT DOCUMENTS

D482,419 S *	11/2003	Burrows	.....	D21/752
D486,542 S *	2/2004	Burrows	.....	D21/752
D490,870 S *	6/2004	Burrows	.....	D21/752
D508,275 S *	8/2005	Burrows	.....	D21/752
D534,979 S *	1/2007	Chau	.....	D21/759
D537,139 S *	2/2007	Breier	.....	D21/759
D537,895 S *	3/2007	Breier	.....	D21/752
D538,370 S *	3/2007	Breier	.....	D21/759
D553,206 S	10/2007	Morales		



# US D785,735 S

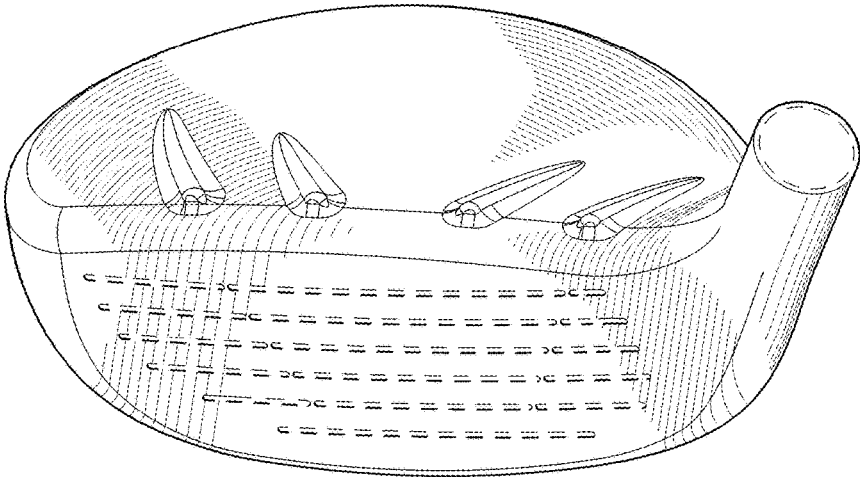
(56)

## References Cited

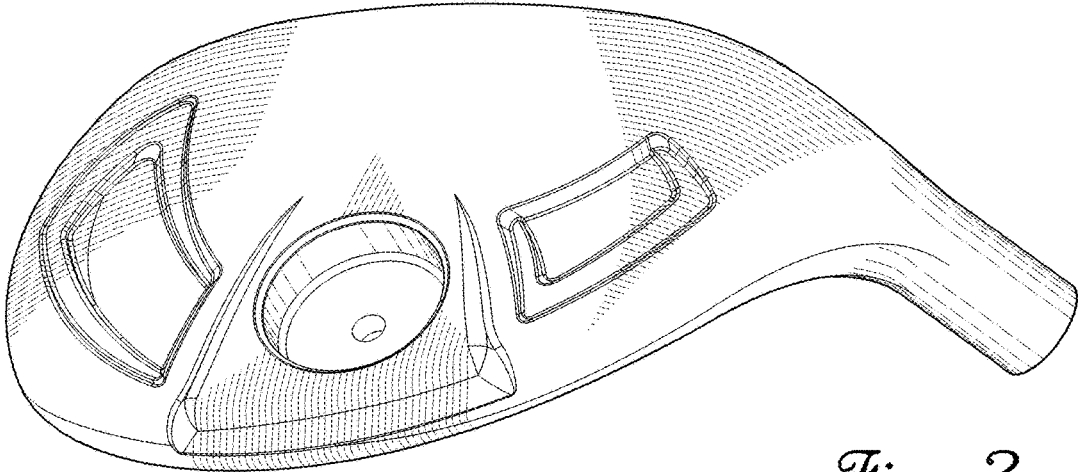
### U.S. PATENT DOCUMENTS

D570,939	S	6/2008	Chen		D609,294	S	2/2010	Oldknow
D570,940	S	6/2008	Chen		D611,555	S	3/2010	Oldknow
D570,941	S	6/2008	Chen		D612,005	S	3/2010	Oldknow
D571,882	S *	6/2008	Soracco	..... D21/752	D613,805	S	4/2010	Sutovsky
D572,324	S	7/2008	Chen		7,717,807	B2	5/2010	Evans et al.
D572,782	S	7/2008	Sanchez		D618,747	S	6/2010	Schweigert
D572,783	S	7/2008	Sanchez		D618,753	S *	6/2010	Jertson ..... D21/759
D572,784	S	7/2008	Sanchez		D618,754	S	6/2010	Schweigert
D572,785	S	7/2008	Chen		D621,892	S	8/2010	Kohno
D572,787	S	7/2008	Sanchez		7,892,111	B2	2/2011	Morales
D572,791	S	7/2008	Jertson		D635,626	S	4/2011	Nicolette
D573,213	S	7/2008	Sanchez		D638,896	S	5/2011	Schweigert
D573,214	S	7/2008	Sanchez		7,934,998	B2	5/2011	Yokota
D573,215	S	7/2008	Sanchez		8,012,034	B1	9/2011	Cackett
D573,216	S	7/2008	Sanchez		8,012,038	B1	9/2011	Beach et al.
D573,217	S	7/2008	Sanchez		D647,585	S	10/2011	Jertson
D573,218	S	7/2008	Sanchez		D661,751	S	6/2012	Nicolette
D573,674	S	7/2008	Sanchez		D661,752	S	6/2012	Stokke
D573,675	S	7/2008	Sanchez		D661,756	S	6/2012	Nicolette
D573,676	S	7/2008	Chen		D661,757	S	6/2012	Stokke
D573,678	S	7/2008	Kawami		8,235,841	B2	8/2012	Stites et al.
D574,046	S	7/2008	Chen		D669,546	S *	10/2012	Llewellyn ..... D21/752
D574,048	S	7/2008	Kadoya		D669,948	S *	10/2012	Sakamoto ..... D21/752
D574,049	S	7/2008	Kadoya		D669,949	S *	10/2012	Sakamoto ..... D21/752
D574,050	S	7/2008	Jones		8,337,319	B2	12/2012	Sargent et al.
7,396,296	B2	7/2008	Evans		8,337,326	B2	12/2012	Lukasiewicz, Jr.
D574,456	S	8/2008	Chen		8,337,328	B2	12/2012	Foster et al.
D578,587	S	10/2008	Hoffman		D673,630	S *	1/2013	Schweigert ..... D21/752
D579,066	S	10/2008	Dipert		D673,632	S	1/2013	Schweigert
D579,067	S	10/2008	Hoffman		D680,179	S *	4/2013	Solheim ..... D21/752
D580,504	S *	11/2008	Bosilkovski	..... D21/752	D686,291	S	7/2013	Foster
D583,432	S	12/2008	Serrano		D687,503	S	8/2013	Solheim
D587,772	S	3/2009	Ferguson		D691,230	S	10/2013	Chen et al.
D588,217	S	3/2009	Jertson		D696,739	S	12/2013	Stokke et al.
D588,220	S	3/2009	Ferguson		D705,879	S *	5/2014	Chen ..... D21/752
D588,659	S	3/2009	Jertson		D707,765	S	6/2014	Engel et al.
D589,576	S	3/2009	Kadoya		D709,153	S	7/2014	Fossum et al.
7,503,854	B2	3/2009	Galloway		D709,574	S	7/2014	Bacon et al.
D591,810	S *	5/2009	Murphy	..... D21/752	D720,025	S	12/2014	Nicolette
D591,816	S *	5/2009	Vehse	..... D21/759	D721,147	S *	1/2015	Chen ..... D21/759
D591,817	S *	5/2009	Murphy	..... D21/759	D721,777	S *	1/2015	Chen ..... D21/759
D591,818	S *	5/2009	Roberts	..... D21/759	D754,271	S *	4/2016	Chen ..... D21/759
D594,518	S	6/2009	Schweigert		D755,317	S *	5/2016	Chen ..... D21/759
D594,521	S	6/2009	Jertson		D763,983	S *	8/2016	Tang ..... D21/752
D594,919	S	6/2009	Schweigert		2006/0052181	A1 *	3/2006	Serrano ..... A63B 53/0466 473/345
D595,381	S	6/2009	Waggoner		2008/0171612	A1	7/2008	Serrano
D596,252	S	7/2009	Jertson		2008/0188322	A1	8/2008	Anderson
D598,062	S	8/2009	Dipert		2009/0275419	A1	11/2009	Cackett
D600,297	S	9/2009	Jertson		2010/0267461	A1	10/2010	Stites
D603,472	S	11/2009	Schweigert		2011/0053702	A1	3/2011	Stites et al.
D603,919	S	11/2009	Gray		2011/0143858	A1	6/2011	Peralta
D604,376	S	11/2009	Darley		2012/0252597	A1	10/2012	Thomas
D609,293	S	2/2010	Williams		2013/0029781	A1	1/2013	Beno et al.

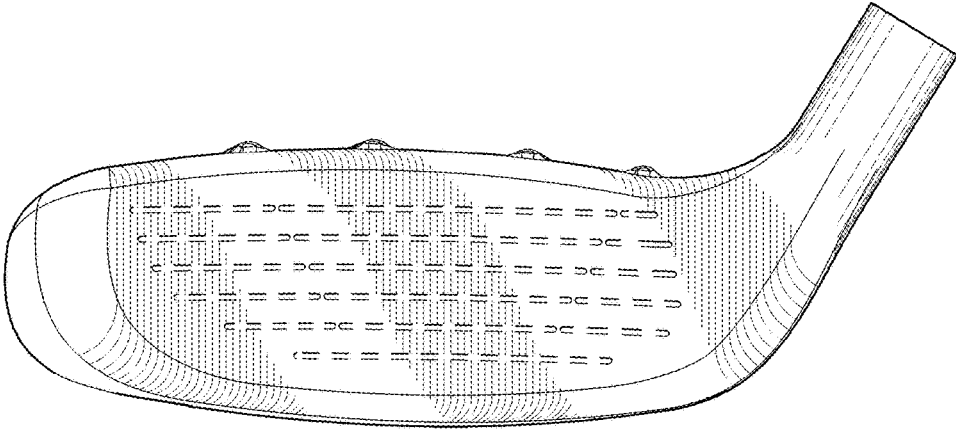
\* cited by examiner



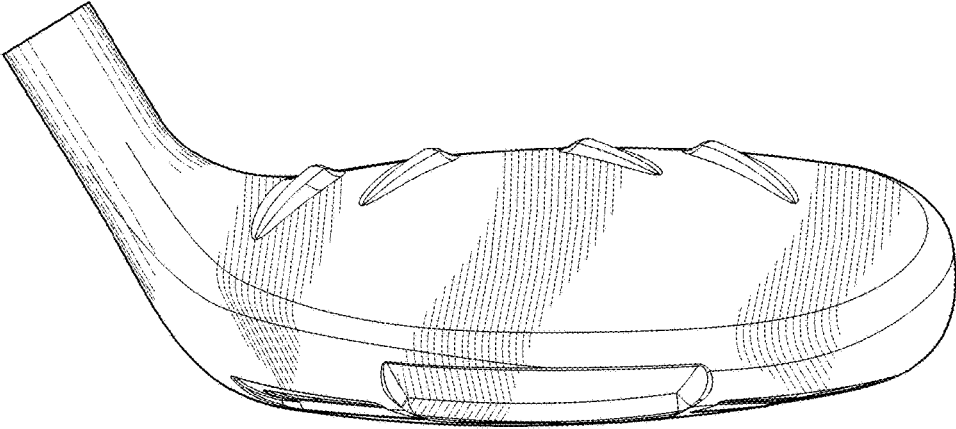
*Fig. 1*



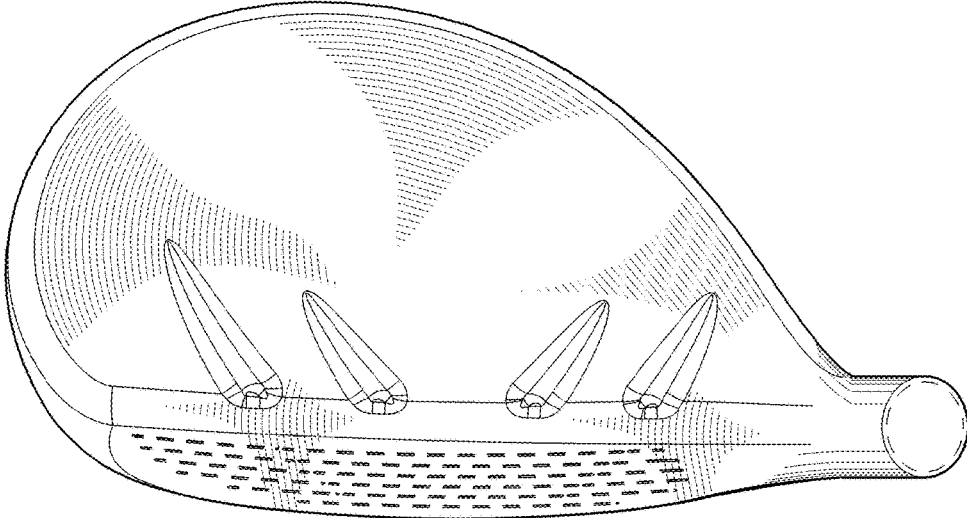
*Fig. 2*



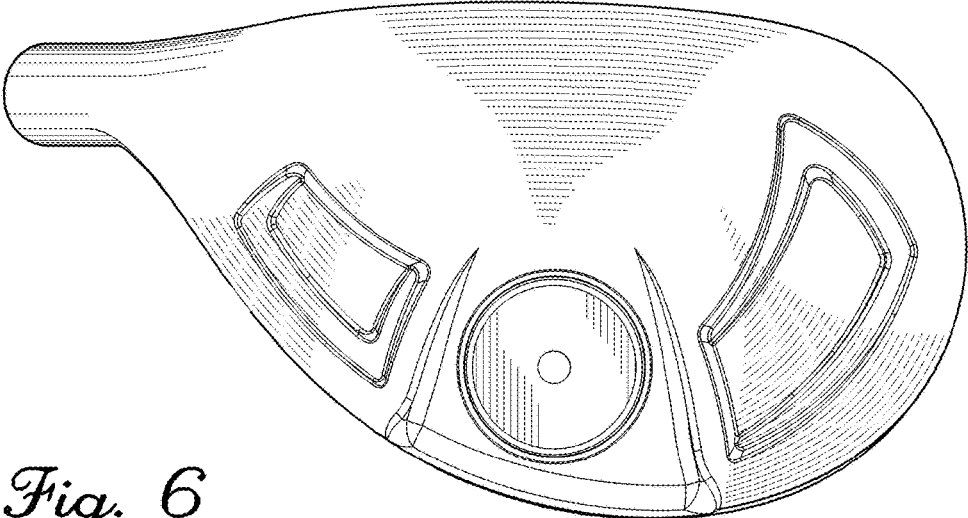
*Fig. 3*



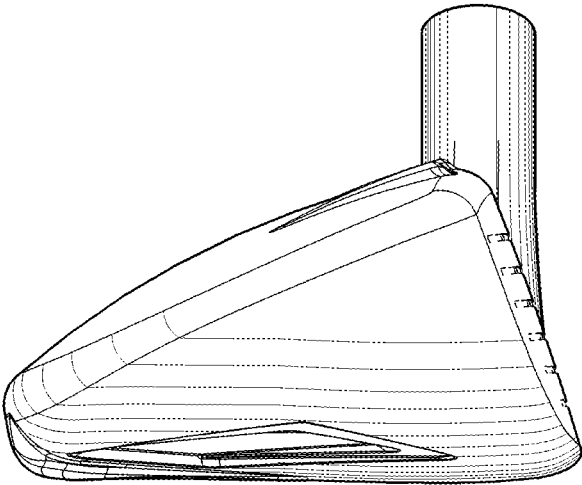
*Fig. 4*



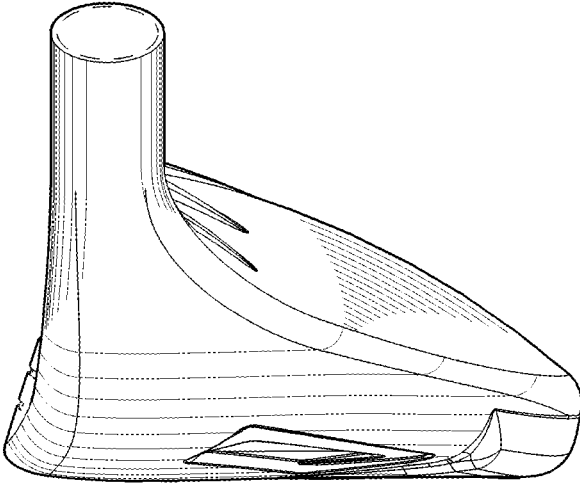
*Fig. 5*



*Fig. 6*



*Fig. 7*



*Fig. 8*