



- (51) International Patent Classification:  
A61B 17/64 (2006.01) A61B 17/88 (2006.01)  
A61B 17/66 (2006.01)
- (21) International Application Number:  
PCT/GB2012/050605
- (22) International Filing Date:  
20 March 2012 (20.03.2012)
- (25) Filing Language: English
- (26) Publication Language: English
- (30) Priority Data:  
1105304.8 30 March 2011 (30.03.2011) GB  
1115299.8 5 September 2011 (05.09.2011) GB
- (71) Applicant (for all designated States except US): BATH INSTITUTE OF MEDICAL ENGINEERING [GB/GB]; Royal United Hospital, Bath Somerset BA1 3NG (GB).
- (72) Inventors; and
- (75) Inventors/Applicants (for US only): HALSEY, Simon [GB/GB]; The Bath Institute of Medical Engineering, Royal United Hospital, Bath Somerset BA1 3NG (GB). ADLAM, Tim [GB/GB]; The Bath Institute of Medical Engineering, Royal United Hospital, Bath Somerset BA1 3NG (GB).

- (74) Agents: HOCKING, Adrian et al.; Eagle Tower, Montpellier Drive, Cheltenham Gloucestershire GL50 1TA (GB).
- (81) Designated States (unless otherwise indicated, for every kind of national protection available): AE, AG, AL, AM, AO, AT, AU, AZ, BA, BB, BG, BH, BR, BW, BY, BZ, CA, CH, CL, CN, CO, CR, CU, CZ, DE, DK, DM, DO, DZ, EC, EE, EG, ES, FI, GB, GD, GE, GH, GM, GT, HN, HR, HU, ID, IL, IN, IS, JP, KE, KG, KM, KN, KP, KR, KZ, LA, LC, LK, LR, LS, LT, LU, LY, MA, MD, ME, MG, MK, MN, MW, MX, MY, MZ, NA, NG, NI, NO, NZ, OM, PE, PG, PH, PL, PT, QA, RO, RS, RU, RW, SC, SD, SE, SG, SK, SL, SM, ST, SV, SY, TH, TJ, TM, TN, TR, TT, TZ, UA, UG, US, UZ, VC, VN, ZA, ZM, ZW.
- (84) Designated States (unless otherwise indicated, for every kind of regional protection available): ARIPO (BW, GH, GM, KE, LR, LS, MW, MZ, NA, RW, SD, SL, SZ, TZ, UG, ZM, ZW), Eurasian (AM, AZ, BY, KG, KZ, MD, RU, TJ, TM), European (AL, AT, BE, BG, CH, CY, CZ, DE, DK, EE, ES, FI, FR, GB, GR, HR, HU, IE, IS, IT, LT, LU, LV, MC, MK, MT, NL, NO, PL, PT, RO, RS, SE, SI, SK, SM, TR), OAPI (BF, BJ, CF, CG, CI, CM, GA, GN, GQ, GW, ML, MR, NE, SN, TD, TG).

Published:  
— with international search report (Art. 21(3))

[Continued on next page]

(54) Title: DYNAMIC FINGER FIXATOR

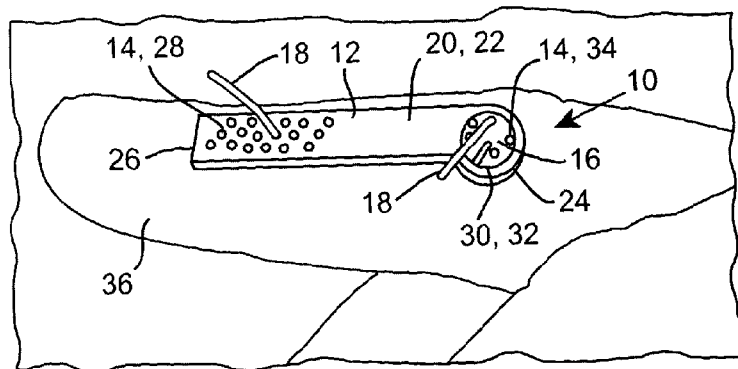


Fig. 1

(57) Abstract: A dynamic finger fixator (10) comprises a two-part elongate strut element (12) and two pin-engagable elements (14) spaced apart on the two-part elongate strut element (12). The two-part elongate strut element (12) includes spacing-adjustment means (16) for selectively adjusting and setting a spacing between the two pin-engagable elements (14). Preferably, a first said part of the strut element includes a strut member (20), and a second said part includes a rotatable adjuster (32) forming at least part of the spacing-adjustment means (16) rotatably mounted on the strut member (20). The strut member (20) includes a first said pin-engagable element (14) and the rotatable adjuster (32) includes a second said pin-engagable element (14, 34) which is off-centre on the rotatable adjuster (32), so that dynamic fixation is impartable to a patient's finger.





---

— *before the expiration of the time limit for amending the claims and to be republished in the event of receipt of amendments (Rule 48.2(h))*

**(88) Date of publication of the international search report:**  
22 November 2012

**INTERNATIONAL SEARCH REPORT**

International application No  
PCT/GB2012/050605

**A. CLASSIFICATION OF SUBJECT MATTER**  
 INV. A61B17/64 A61B17/66  
 ADD. A61B17/88

According to International Patent Classification (IPC) or to both national classification and IPC

**B. FIELDS SEARCHED**  
 Minimum documentation searched (classification system followed by classification symbols)  
 A61B

Documentation searched other than minimum documentation to the extent that such documents are included in the fields searched

Electronic data base consulted during the international search (name of data base and, where practicable, search terms used)  
 EPO-Internal, WPI Data

**C. DOCUMENTS CONSIDERED TO BE RELEVANT**

Category*	Citation of document, with indication, where appropriate, of the relevant passages	Relevant to claim No.
X	FR 2 753 077 A1 (PROVIS SA [FR]) 13 March 1998 (1998-03-13)	1-4, 10, 14-17, 41-44, 50, 53-55, 57
Y	page 5, line 23 - page 8, line 8 figures 1, 4, 5	5-7, 45-47
X	WO 98/51227 A1 (WRIGHT MEDICAL TECH INC [US]) 19 November 1998 (1998-11-19)	1-3, 5-8, 41-43, 45-48
	page 11, line 17 - page 13, line 35; figures 1-3	
	----- -/--	

Further documents are listed in the continuation of Box C.

See patent family annex.

\* Special categories of cited documents :

<p>"A" document defining the general state of the art which is not considered to be of particular relevance</p> <p>"E" earlier application or patent but published on or after the international filing date</p> <p>"L" document which may throw doubts on priority claim(s) or which is cited to establish the publication date of another citation or other special reason (as specified)</p> <p>"O" document referring to an oral disclosure, use, exhibition or other means</p> <p>"P" document published prior to the international filing date but later than the priority date claimed</p>	<p>"T" later document published after the international filing date or priority date and not in conflict with the application but cited to understand the principle or theory underlying the invention</p> <p>"X" document of particular relevance; the claimed invention cannot be considered novel or cannot be considered to involve an inventive step when the document is taken alone</p> <p>"Y" document of particular relevance; the claimed invention cannot be considered to involve an inventive step when the document is combined with one or more other such documents, such combination being obvious to a person skilled in the art</p> <p>"&amp;" document member of the same patent family</p>
---	---

Date of the actual completion of the international search  27 June 2012	Date of mailing of the international search report  17/09/2012
---	--

Name and mailing address of the ISA/ European Patent Office, P.B. 5818 Patentlaan 2 NL - 2280 HV Rijswijk Tel. (+31-70) 340-2040, Fax: (+31-70) 340-3016	Authorized officer  Louka, Maria
--	--

## INTERNATIONAL SEARCH REPORT

International application No  
PCT/GB2012/050605

C(Continuation). DOCUMENTS CONSIDERED TO BE RELEVANT		
Category*	Citation of document, with indication, where appropriate, of the relevant passages	Relevant to claim No.
X	US 4 730 608 A (SCHLEIN ALLEN P [US]) 15 March 1988 (1988-03-15)  figures 1-3 column 3, line 22 - column 4, line 59 -----	1,2,18, 41,42, 56,58
Y	EP 0 704 192 A1 (NEWSON CHARLES JAMES [GB]) 3 April 1996 (1996-04-03) column 3, lines 25-60; figures 1,2 -----	5-7, 45-47

# INTERNATIONAL SEARCH REPORT

International application No.  
PCT/GB2012/050605

## Box No. II Observations where certain claims were found unsearchable (Continuation of item 2 of first sheet)

This international search report has not been established in respect of certain claims under Article 17(2)(a) for the following reasons:

1.  Claims Nos.:  
because they relate to subject matter not required to be searched by this Authority, namely:
  
2.  Claims Nos.:  
because they relate to parts of the international application that do not comply with the prescribed requirements to such an extent that no meaningful international search can be carried out, specifically:
  
3.  Claims Nos.:  
because they are dependent claims and are not drafted in accordance with the second and third sentences of Rule 6.4(a).

## Box No. III Observations where unity of invention is lacking (Continuation of item 3 of first sheet)

This International Searching Authority found multiple inventions in this international application, as follows:

see additional sheet

1.  As all required additional search fees were timely paid by the applicant, this international search report covers all searchable claims.
  
2.  As all searchable claims could be searched without effort justifying an additional fees, this Authority did not invite payment of additional fees.
  
3.  As only some of the required additional search fees were timely paid by the applicant, this international search report covers only those claims for which fees were paid, specifically claims Nos.:
  
4.  No required additional search fees were timely paid by the applicant. Consequently, this international search report is restricted to the invention first mentioned in the claims; it is covered by claims Nos.:

1-11, 14-18, 41-50, 53-58

### Remark on Protest

- The additional search fees were accompanied by the applicant's protest and, where applicable, the payment of a protest fee.
- The additional search fees were accompanied by the applicant's protest but the applicable protest fee was not paid within the time limit specified in the invitation.
- No protest accompanied the payment of additional search fees.

**FURTHER INFORMATION CONTINUED FROM PCT/ISA/ 210**

This International Searching Authority found multiple (groups of) inventions in this international application, as follows:

1. claims: 1-11, 14-18, 41-50, 53-58

Dynamic finger fixator with a plurality of pin receivable apertures through the strut body and a plurality of pins.

---

2. claims: 12, 13, 51, 52

Dynamic finger fixator with indexing means for the rotatable adjuster.

---

3. claims: 19-32

Dynamic finger fixator with interengagable teeth on each of the two strut members.

---

4. claims: 33-40

Dynamic finger fixator with each strut including a saddle member.

---

# INTERNATIONAL SEARCH REPORT

Information on patent family members

International application No

PCT/GB2012/050605

Patent document cited in search report	Publication date	Patent family member(s)	Publication date
FR 2753077	A1	13-03-1998	NONE
-----			
WO 9851227	A1	19-11-1998	EP 0983032 A1 08-03-2000
			JP 2001524859 A 04-12-2001
			US 5897555 A 27-04-1999
			WO 9851227 A1 19-11-1998
-----			
US 4730608	A	15-03-1988	NONE
-----			
EP 0704192	A1	03-04-1996	EP 0704192 A1 03-04-1996
			GB 2293550 A 03-04-1996
			US 5810814 A 22-09-1998
-----			