

(19) World Intellectual Property Organization
International Bureau



(43) International Publication Date
27 April 2006 (27.04.2006)

PCT

(10) International Publication Number
WO 2006/044490 A3

- (51) International Patent Classification:
A61B 17/10 (2006.01)
- (21) International Application Number:
PCT/US2005/036740
- (22) International Filing Date: 12 October 2005 (12.10.2005)
- (25) Filing Language: English
- (26) Publication Language: English
- (30) Priority Data:

60/620,268	18 October 2004 (18.10.2004)	US
60/620,269	18 October 2004 (18.10.2004)	US
60/620,066	18 October 2004 (18.10.2004)	US
60/620,140	18 October 2004 (18.10.2004)	US
60/669,104	7 April 2005 (07.04.2005)	US

(71) Applicant (for all designated States except US): **TYCO HEALTHCARE GROUP, LP** [US/US]; 150 Glover Avenue, Norwalk, CT 06856 (US).

(72) Inventors; and

(75) Inventors/Applicants (for US only): **BETTUCHI, Michael** [US/US]; 40 Blacksmith Drive, Middletown, CT 06457 (US). **FOWLER, David, N.** [US/US]; 40 Autumn Ct., Chesire, CT 06410 (US). **VIOLA, Frank, J.** [US/US]; 320 Great Quarter Road, Sandy Hook, CT

06482 (US). **CRISCUOLO, Christopher, J.** [US/US]; 10 Fitzgerald Lane, Branford, CT 06405 (US). **TARINELLI, Danyl, J.** [US/US]; 1390 Bartholomew Road, Middletown, CT 06457 (US). **CAPELLA, Robert** [US/US]; 11 Grace Lane, Shelton, CT 06484 (US). **SNIFFIN, Kevin** [US/US]; 38 Grand Street, Danbury, CT 06810 (US). **HADBA, Ahmad, Robert** [US/US]; 37 Brentwood Drive, Wallingford, CT 06492 (US).

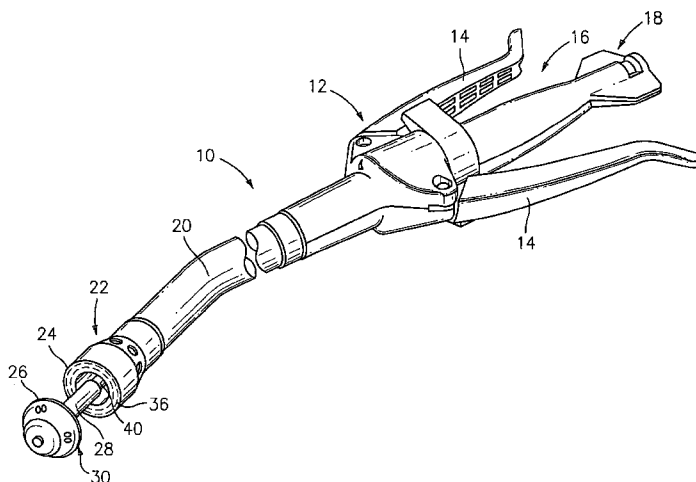
(74) Agent: **FARBER, Mark**; U.S. Surgical, A division of Tyco Healthcare Group LP, 195 McDermott Road, North Haven, CT 06473 (US).

(81) Designated States (unless otherwise indicated, for every kind of national protection available): AE, AG, AL, AM, AT, AU, AZ, BA, BB, BG, BR, BW, BY, BZ, CA, CH, CN, CO, CR, CU, CZ, DE, DK, DM, DZ, EC, EE, EG, ES, FI, GB, GD, GE, GH, GM, HR, HU, ID, IL, IN, IS, JP, KE, KG, KM, KP, KR, KZ, LC, LK, LR, LS, LT, LU, LV, LY, MA, MD, MG, MK, MN, MW, MX, MZ, NA, NG, NI, NO, NZ, OM, PG, PH, PL, PT, RO, RU, SC, SD, SE, SG, SK, SL, SM, SY, TJ, TM, TN, TR, TT, TZ, UA, UG, US, UZ, VC, VN, YU, ZA, ZM, ZW.

(84) Designated States (unless otherwise indicated, for every kind of regional protection available): ARIPO (BW, GH, GM, KE, LS, MW, MZ, NA, SD, SL, SZ, TZ, UG, ZM, ZW), Eurasian (AM, AZ, BY, KG, KZ, MD, RU, TJ, TM),

[Continued on next page]

(54) Title: ANNULAR ADHESIVE STRUCTURE



(57) Abstract: An apparatus for forming an anastomosis between adjacent intestinal sections of tissue is provided. The apparatus includes a circular surgical stapler having an anvil assembly with an anvil shaft and an anvil, the circular surgical stapler further having a tubular body portion with an annular knife and a body portion shaft selectively attachable to the anvil shaft; and a seal structure for deposition between the intestinal sections of tissue including a hub configured to engage attachment structure on at least one of the anvil shaft and the body portion shaft. The attachment structure is positioned so that the seal structure is located between the intestinal sections of tissue when the circular surgical stapler is disposed within the intestinal sections of tissue.

WO 2006/044490 A3



European (AT, BE, BG, CH, CY, CZ, DE, DK, EE, ES, FI, FR, GB, GR, HU, IE, IS, IT, LT, LU, LV, MC, NL, PL, PT, RO, SE, SI, SK, TR), OAPI (BF, BJ, CF, CG, CI, CM, GA, GN, GQ, GW, ML, MR, NE, SN, TD, TG).

(88) Date of publication of the international search report:
14 June 2007

Published:

— *with international search report*

For two-letter codes and other abbreviations, refer to the "Guidance Notes on Codes and Abbreviations" appearing at the beginning of each regular issue of the PCT Gazette.

INTERNATIONAL SEARCH REPORT

International application No.

PCT/US05/36740

A. CLASSIFICATION OF SUBJECT MATTER IPC: A61B 17/10(2006.01) USPC: 606/139 According to International Patent Classification (IPC) or to both national classification and IPC		
B. FIELDS SEARCHED Minimum documentation searched (classification system followed by classification symbols) U.S. : 606/139,140,144; 227/179.1 Documentation searched other than minimum documentation to the extent that such documents are included in the fields searched Electronic data base consulted during the international search (name of data base and, where practicable, search terms used)		
C. DOCUMENTS CONSIDERED TO BE RELEVANT		
Category *	Citation of document, with indication, where appropriate, of the relevant passages	Relevant to claim No.
X	US 5,205,459 A (Brinkerhoff et al) 27 April 1993, see entire document.	1-14,20-30
X	US 5,915,616 A (Viola et al) 29 June 1999, see entire document.	15-19 and 31-45
<input type="checkbox"/> Further documents are listed in the continuation of Box C. <input type="checkbox"/> See patent family annex.		
* Special categories of cited documents:		
"A" document defining the general state of the art which is not considered to be of particular relevance	"T" later document published after the international filing date or priority date and not in conflict with the application but cited to understand the principle or theory underlying the invention	
"E" earlier application or patent published on or after the international filing date	"X" document of particular relevance; the claimed invention cannot be considered novel or cannot be considered to involve an inventive step when the document is taken alone	
"L" document which may throw doubts on priority claim(s) or which is cited to establish the publication date of another citation or other special reason (as specified)	"Y" document of particular relevance; the claimed invention cannot be considered to involve an inventive step when the document is combined with one or more other such documents, such combination being obvious to a person skilled in the art	
"O" document referring to an oral disclosure, use, exhibition or other means	"&" document member of the same patent family	
"P" document published prior to the international filing date but later than the priority date claimed		
Date of the actual completion of the international search 20 February 2007 (20.02.2007)	Date of mailing of the international search report 23 MAR 2007	
Name and mailing address of the ISA/US Mail Stop PCT, Attn: ISA/US Commissioner for Patents P.O. Box 1450 Alexandria, Virginia 22313-1450 Facsimile No. (571) 273-3201	Authorized officer <i>Victor Nguyen</i> Telephone No. (703) 308-0858	