



US00D759019S

(12) **United States Design Patent**  
**Harper**

(10) **Patent No.:** **US D759,019 S**

(45) **Date of Patent:** **\*\* Jun. 14, 2016**

(54) **LANYARD**

(71) Applicant: **Plantronics, Inc.**, Santa Cruz, CA (US)

(72) Inventor: **Pierre Harper**, Santa Cruz, CA (US)

(73) Assignee: **Plantronics, Inc.**, Santa Cruz, CA (US)

(\*\*) Term: **14 Years**

(21) Appl. No.: **29/517,392**

(22) Filed: **Feb. 12, 2015**

(51) **LOC (10) Cl.** ..... **14-03**

(52) **U.S. Cl.**

USPC ..... **D14/435.1**

(58) **Field of Classification Search**

USPC ..... D14/435.1, 480.1-480.7, 411, 433, 436,  
D14/484.1, 137, 155, 203.1-203.8, 240,  
D14/242, 133, 154

CPC ..... H05K 5/0278; G06K 19/07732  
See application file for complete search history.

(56)

**References Cited**

**U.S. PATENT DOCUMENTS**

D556,194	S	*	11/2007	Rambossek	.....	D11/2
D558,198	S	*	12/2007	Blankenship	.....	D11/2
7,345,954	B2	*	3/2008	Ehram	.....	A44C 5/18
						368/10
D571,684	S	*	6/2008	Kim	.....	D11/2
7,455,525	B2	*	11/2008	Rambossek	.....	H05K 5/0278
						439/131
D583,815	S	*	12/2008	Giovannoni	.....	D11/3
D643,428	S	*	8/2011	Janky	.....	D14/240
8,456,826	B2	*	6/2013	Mao	.....	H05K 5/0278
						361/679.31
D686,217	S	*	7/2013	Andre	.....	D11/2

D707,689	S	*	6/2014	Billington	.....	D11/2
D713,281	S	*	9/2014	Chen	.....	D11/3
D733,142	S	*	6/2015	Solomon	.....	D14/433
2013/0021741	A1	*	1/2013	Huang	.....	G06K 19/07732
						361/679.32

**OTHER PUBLICATIONS**

Dachis, "Magnet Micro USB Cable Can Go Anywhere, Hook Onto Almost Anything," retrieved from URL <<http://lifelifehacker.com/5947947/magnet-micro-usb-cable-can-go-anywhere-hook-onto-almost-anything>>, Oct. 4, 2012.

Unknown, "VOJO+," Vojotech, retrieved from URL <[www.vojotech.us/magnet.html](http://www.vojotech.us/magnet.html)> on Jul. 30, 2015.

\* cited by examiner

*Primary Examiner* — Angela J Lee

(57)

**CLAIM**

The ornamental design for a lanyard, as shown and described.

**DESCRIPTION**

FIG. 1 is a bottom-left perspective view of a lanyard showing my new design;

FIG. 2 is a top-right perspective view thereof;

FIG. 3 is a left side view thereof;

FIG. 4 is a top view thereof;

FIG. 5 is a front view thereof;

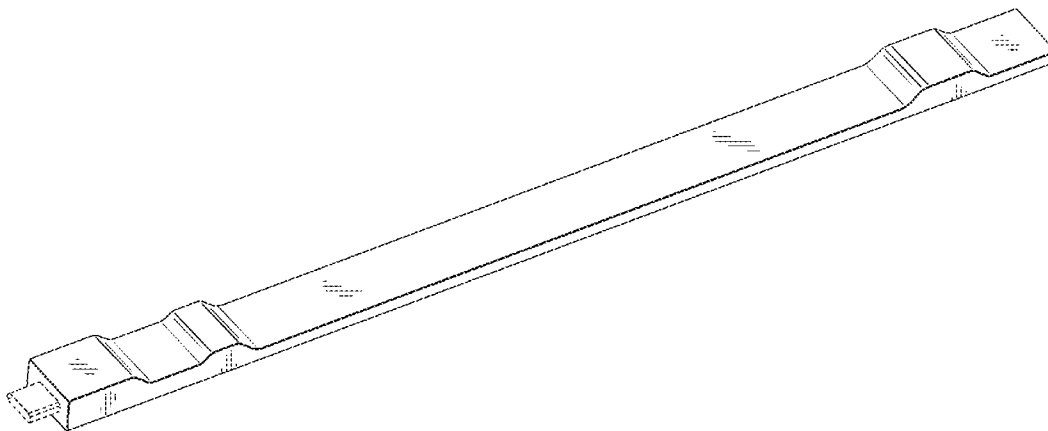
FIG. 6 is a back view thereof; and

FIG. 7 is a right side view thereof; and,

FIG. 8 is a bottom view thereof.

The broken lines showing the unclaimed features form no part of the claimed design.

**1 Claim, 3 Drawing Sheets**



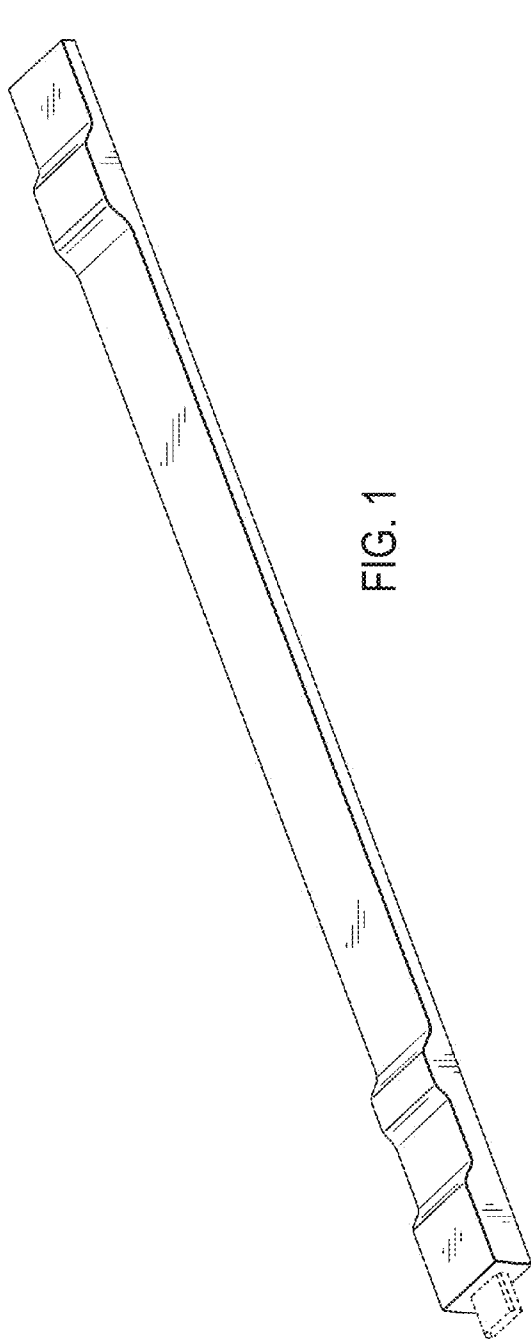


FIG. 1

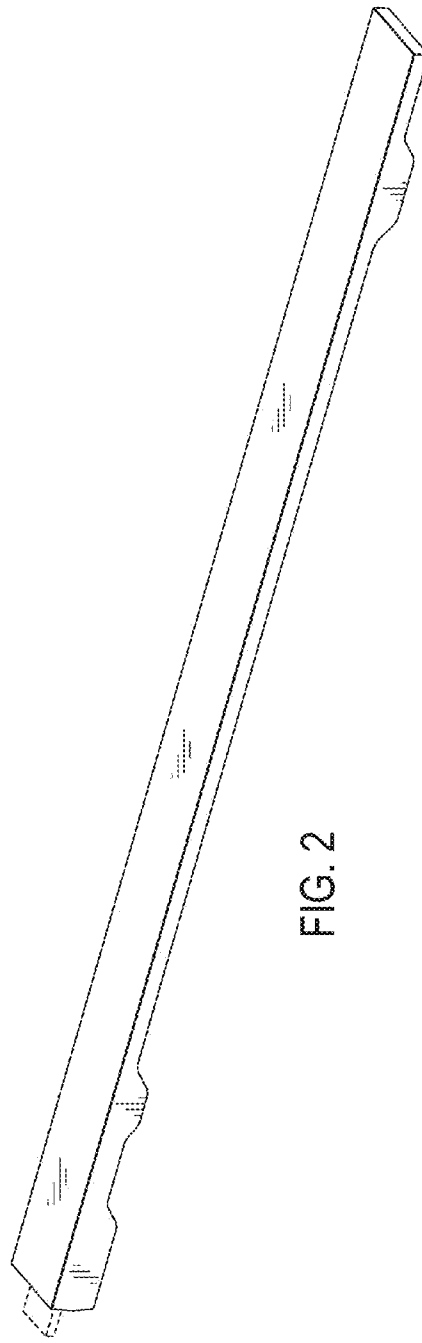


FIG. 2

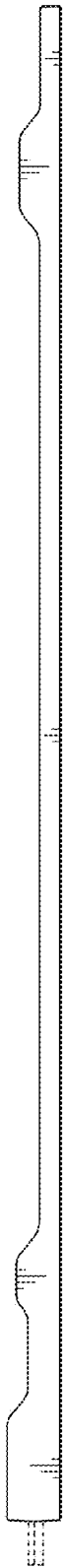


FIG. 3



FIG. 4

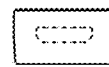


FIG. 5



FIG. 6

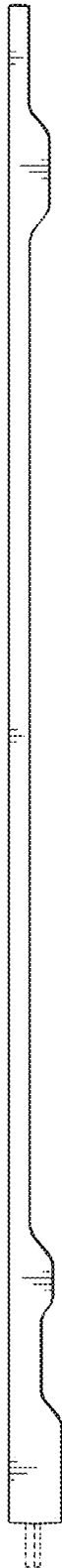


FIG. 7



FIG. 8