



(12) **United States Design Patent**  
**Knapp et al.**

(10) **Patent No.:** **US D934,519 S**  
(45) **Date of Patent:** **\*\* Oct. 26, 2021**

(54) **MULTI-SURFACE VACUUM CLEANER**

- (71) Applicant: **BISSELL Inc.**, Grand Rapids, MI (US)
- (72) Inventors: **Mackenzie L. Knapp**, Saranac, MI (US); **David M. Miller**, Zeeland, MI (US); **Colin J. Bloemendaal**, Grand Rapids, MI (US)
- (73) Assignee: **BISSELL Inc.**, Grand Rapids, MI (US)
- (\*\*) Term: **15 Years**
- (21) Appl. No.: **29/772,828**
- (22) Filed: **Mar. 4, 2021**

**Related U.S. Application Data**

- (62) Division of application No. 29/684,314, filed on Mar. 20, 2019, now Pat. No. Des. 917,810.
- (51) **LOC (13) Cl.** ..... **15-05**
- (52) **U.S. Cl.**  
USPC ..... **D32/22**
- (58) **Field of Classification Search**  
USPC ..... D32/21, 22, 32, 33, 38, 39, 41, 50  
CPC ... A46B 15/0053; A47L 13/225; A47L 5/225;  
A47L 5/24; A47L 5/28; A47L 5/30; A47L  
5/34; A47L 5/36; A47L 5/38; A47L 9/02;  
(Continued)

(56) **References Cited**

**U.S. PATENT DOCUMENTS**

- D56,947 S \* 1/1921 Sheffler ..... D32/32
  - D575,916 S 8/2008 Stein et al.
- (Continued)

**FOREIGN PATENT DOCUMENTS**

- CA 200468 \* 3/2021
  - CN 305744639 4/2020
- (Continued)

**OTHER PUBLICATIONS**

BISSELL Icon Cordless, available in Amazon.com, date first available Nov. 22, 2019 [online], [site visited Jun. 15, 2021, Available from the internet URL: [https://www.amazon.co.uk/BISSELL-Cordless-Tangle-Free-Brushroll-2602B/dp/B07WX4YC5N/ref=sr\\_1\\_21?dchild=1&keywords=bissell&qid=1623839258&sr=8-21](https://www.amazon.co.uk/BISSELL-Cordless-Tangle-Free-Brushroll-2602B/dp/B07WX4YC5N/ref=sr_1_21?dchild=1&keywords=bissell&qid=1623839258&sr=8-21) (Year: 2019).\*

(Continued)

*Primary Examiner* — Dana K Weiland  
*Assistant Examiner* — Jennylou M Binas  
(74) *Attorney, Agent, or Firm* — Warner Norcross + Judd LLP

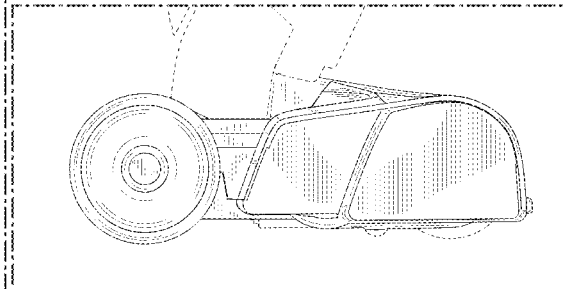
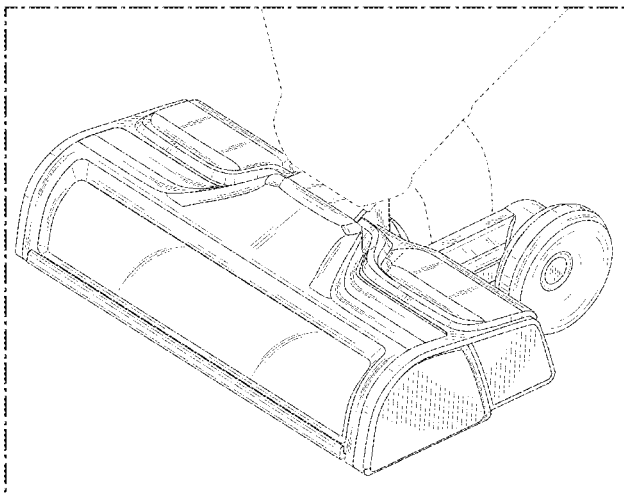
(57) **CLAIM**

The ornamental design for a multi-surface vacuum cleaner, as shown and described.

**DESCRIPTION**

FIG. 1 is a front perspective view of a multi-surface vacuum cleaner showing our new design;  
FIG. 2 is a front view thereof;  
FIG. 3 is a left side view thereof, the right side being a mirror image;  
FIG. 4 is an enlarged top view of the multi-surface vacuum cleaner;  
FIG. 5 is an enlarged view of the multi-surface vacuum cleaner shown within the area designated as 5 in FIG. 1;  
FIG. 6 is an enlarged view of the multi-surface vacuum cleaner shown within the area designated as 6 in FIG. 2; and,  
FIG. 7 is an enlarged view of the multi-surface vacuum cleaner shown within the area designated as 3 in FIG. 3.  
The details of the multi-surface vacuum cleaner shown in broken lines form no part of the claimed design. The oblique shade lines in FIGS. 1, 2, 4, 5, and 6 show transparency or translucency. The dot-dashed broken line in FIGS. 5-7 show a boundary of the enlarged view and forms no part of the claimed design.

**1 Claim, 7 Drawing Sheets**



(58) **Field of Classification Search**  
 CPC .... A47L 9/0411; A47L 9/0422; A47L 9/0461;  
 A47L 9/0693; A47L 9/325; A47L 11/20;  
 A47L 11/24; A47L 11/26; A47L 11/302;  
 A47L 11/32; A47L 11/34; A47L 11/4041;  
 B04C 5/185; B08B 1/002; B08B 9/035;  
 B60S 1/52; B23Q 11/0046; B23Q  
 11/0071; E01H 1/0854; E04H 4/1636  
 See application file for complete search history.

(56) **References Cited**

U.S. PATENT DOCUMENTS

D599,513	S	*	9/2009	Dyson	.....	D32/32
D600,869	S	*	9/2009	Dyson	.....	D32/32
D621,111	S	*	8/2010	Kim	.....	D32/32
D722,410	S		2/2015	Raven et al.		
D728,878	S		5/2015	Johnson et al.		
D730,604	S		5/2015	Luedke et al.		
D759,919	S		6/2016	Smith et al.		
D770,109	S	*	10/2016	Chu, Jr.	.....	D32/32
D773,137	S	*	11/2016	Niedzwecki	.....	D32/32
D778,015	S		1/2017	Miller et al.		
D790,142	S		6/2017	Carr et al.		
D791,421	S		7/2017	Wu et al.		
D820,541	S	*	6/2018	Haverkamp	.....	D32/32
D821,047	S		6/2018	Wroblewski et al.		
10,092,155	B2		10/2018	Xia		
D839,520	S	*	1/2019	Hribar-Green	.....	D32/33
D850,040	S	*	5/2019	Wroblewski	.....	D32/32
10,512,383	B2		12/2019	Luyckx et al.		
D877,434	S	*	3/2020	Burgess	.....	D32/31
D879,397	S	*	3/2020	Kim	.....	D32/32
D879,398	S	*	3/2020	Burgess	.....	D32/32
D880,089	S	*	3/2020	Kim	.....	D32/32
D880,090	S	*	3/2020	Tokoi	.....	D32/32
D881,493	S	*	4/2020	Lee	.....	D32/33
D882,894	S	*	4/2020	Lee	.....	D32/33
10,631,702	B2		4/2020	Xia et al.		
10,820,769	B2		11/2020	Xia et al.		
D912,348	S	*	3/2021	Choi	.....	D32/32
11,071,428	B2	*	7/2021	Resch	.....	A47L 11/19

2006/0162119	A1	*	7/2006	Smith	.....	A47L 9/0416 15/388
2014/0259510	A1		9/2014	Conrad		
2016/0135656	A1		5/2016	Grove		
2016/0150938	A1		6/2016	Grove		
2017/0119225	A1		5/2017	Xia et al.		
2018/0110388	A1		4/2018	Xia et al.		
2019/0082925	A1		3/2019	Conrad et al.		
2019/0159646	A1		5/2019	Luyckx et al.		
2019/0365182	A1		12/2019	Manning et al.		
2020/0214527	A1		7/2020	Resch et al.		
2020/0268225	A1		8/2020	Ashbaugh et al.		
2020/0405116	A1		12/2020	Resch et al.		
2020/0405117	A1		12/2020	Resch et al.		
2020/0405118	A1		12/2020	Resch et al.		

FOREIGN PATENT DOCUMENTS

EM	6694774-0004	8/2019
JP	D1656921	3/2020
JP	D1656923	3/2020
JP	D1668950	* 9/2020

OTHER PUBLICATIONS

Bissell Crosswave User Guide 1785, 2210, 2211 Series, 2018.  
 Bissell Crosswave Pet Pro User Guide 2305, 2306 Series, 2017.  
 Oreck One PWR, observed on display and photos taken on Feb. 13, 2019 at the Oreck booth at the 2019 VDTA-SDTA International Trade Show and Convention in Las Vegas, NV, held Feb. 12-14, 2019.  
 "How to Perform Maintenance on your CrossWave Cordless MAX", announced in YouTube on date [online], [site visited Nov. 16, 2020], Available from the internet URL: <https://www.youtube.com/watch?v=hfjGK1VYMPU> (Year: 2019).  
 Bissell JetScrub Pet Upright Carpet Cleaner, available in Amazon.com, customer review oldest date Aug. 21, 2019 [online], [site visited Nov. 16, 2020], Available from the Internet URL: [https://www.amazon.com/dp/B07TCJNCF4/ref=cm\\_sw\\_r\\_em\\_apa\\_i\\_dlc\\_YTmMFbVBRK6GG?\\_encoding=UTF8&ppsc=1](https://www.amazon.com/dp/B07TCJNCF4/ref=cm_sw_r_em_apa_i_dlc_YTmMFbVBRK6GG?_encoding=UTF8&ppsc=1) (Year: 2019).

\* cited by examiner

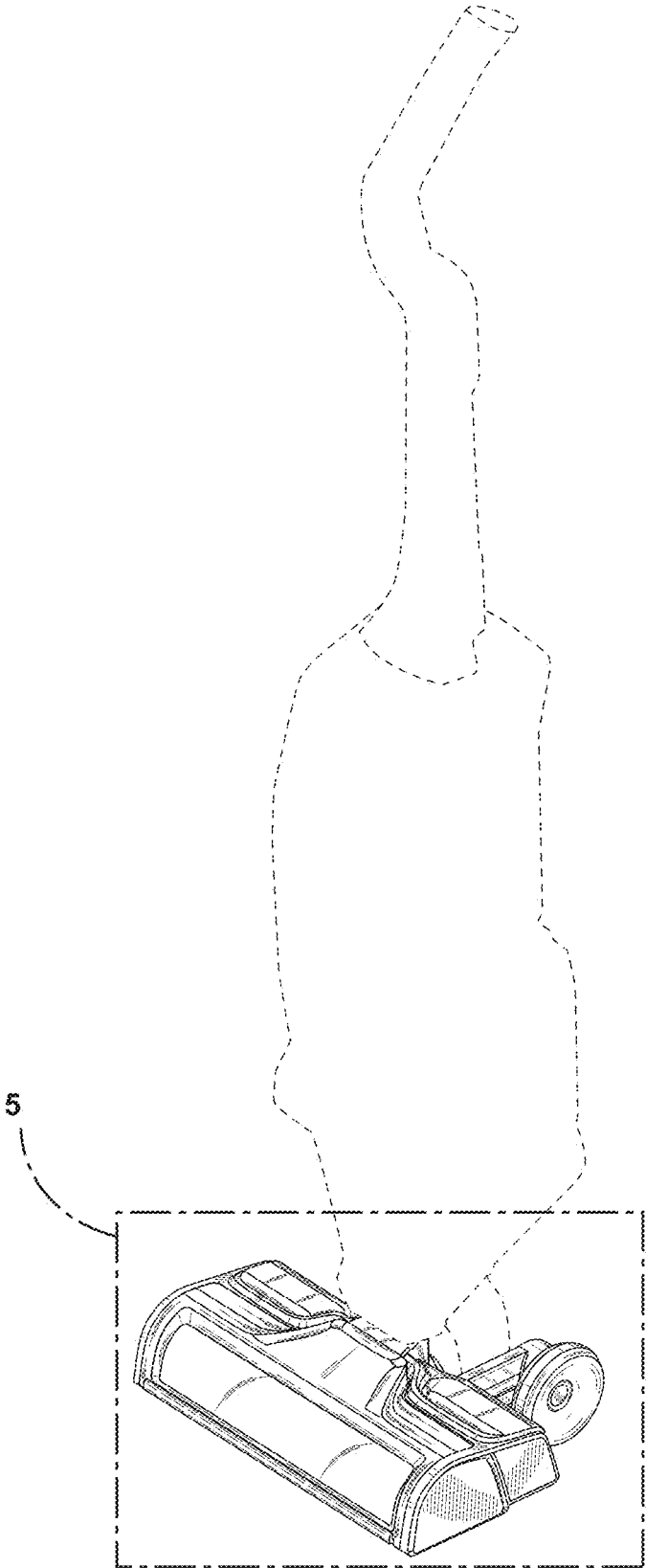


FIG. 1

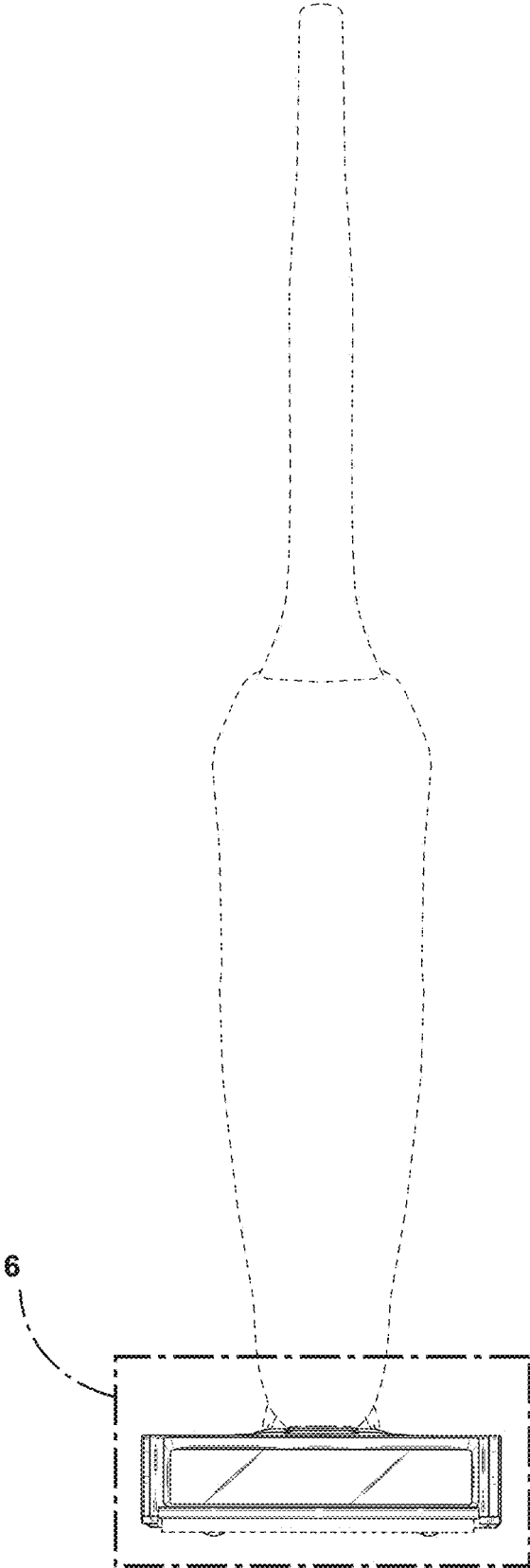
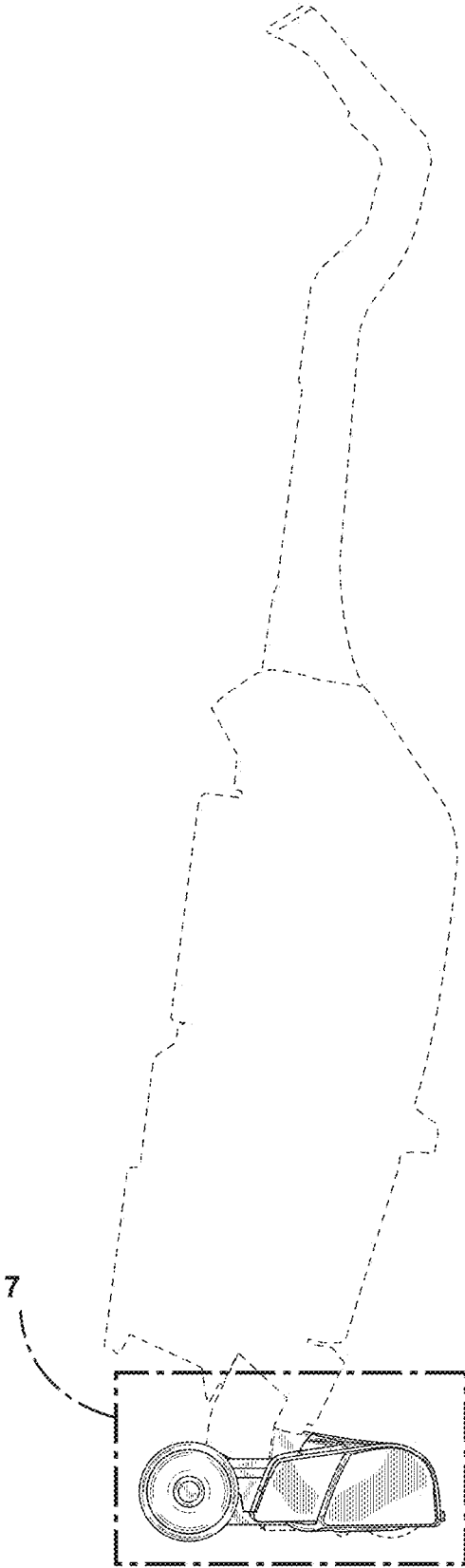


FIG. 2



**FIG. 3**

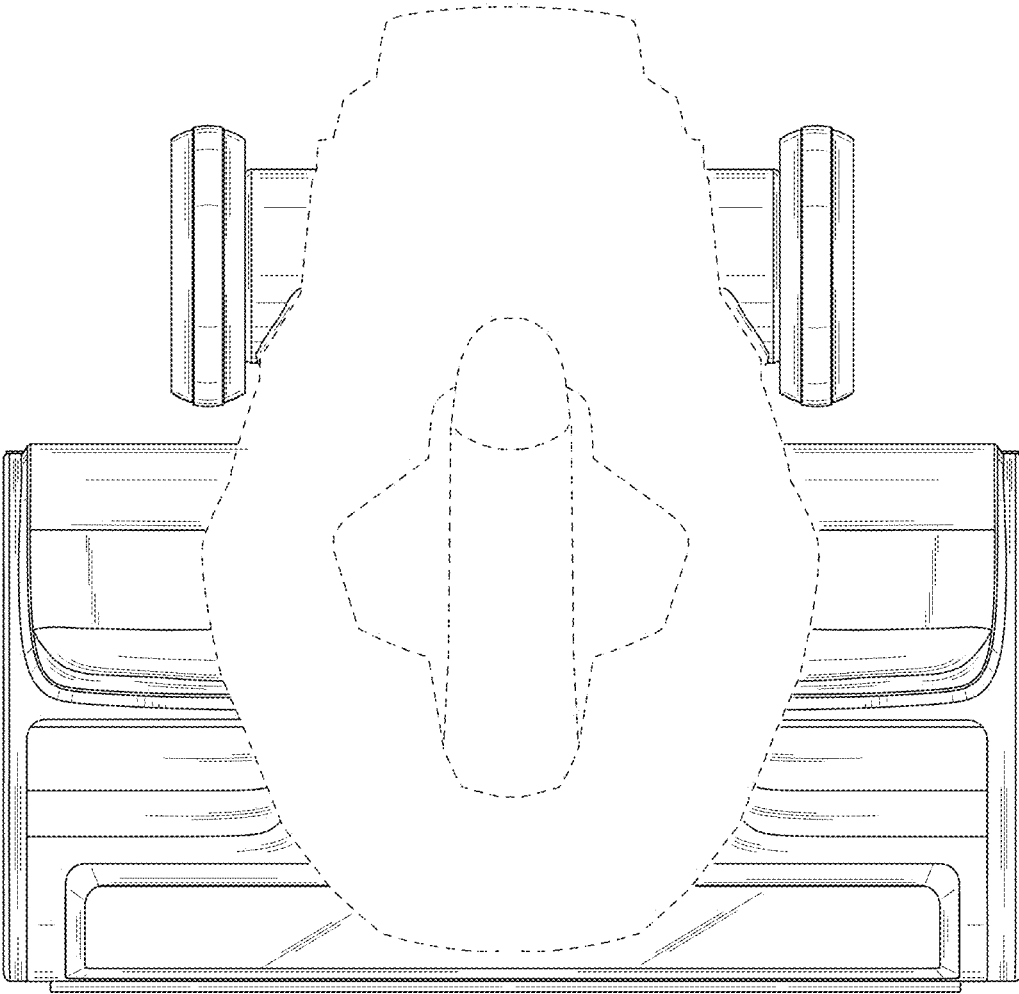


FIG. 4

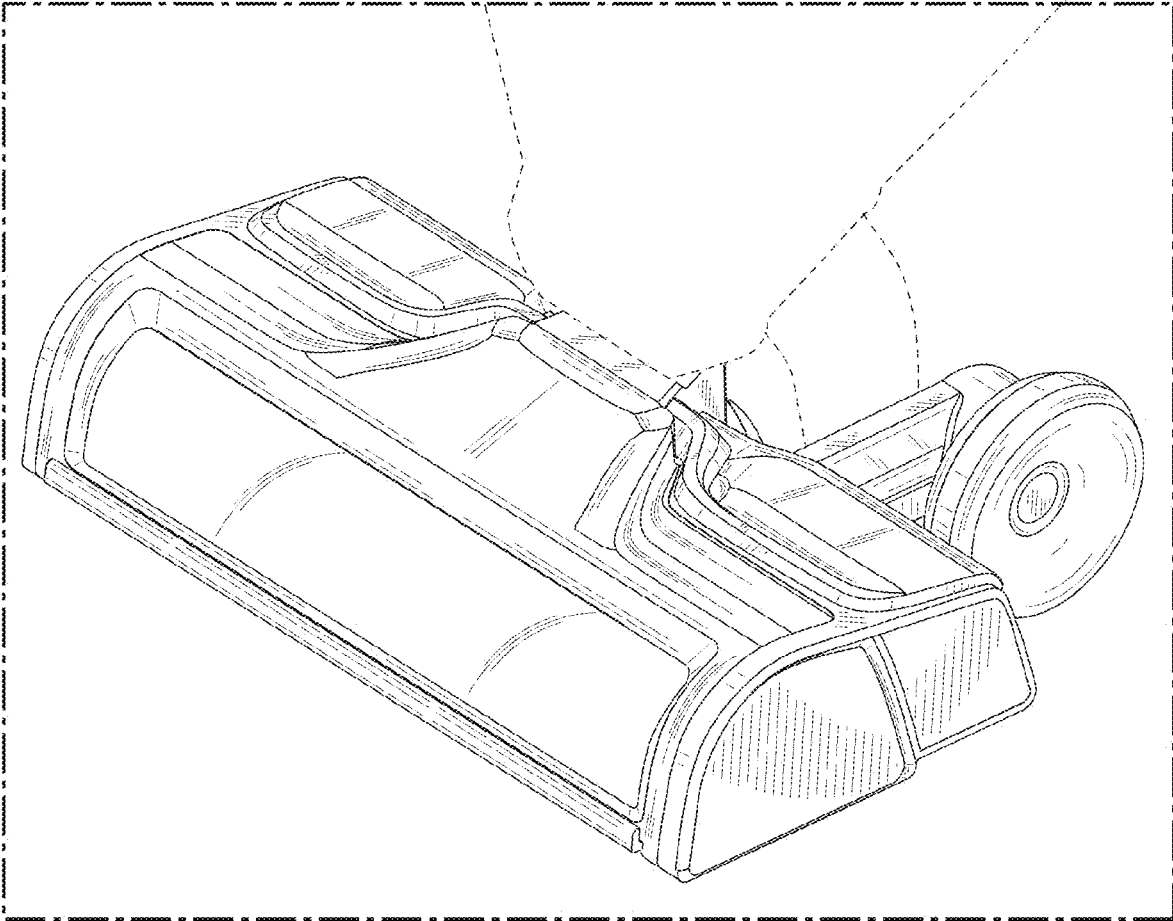
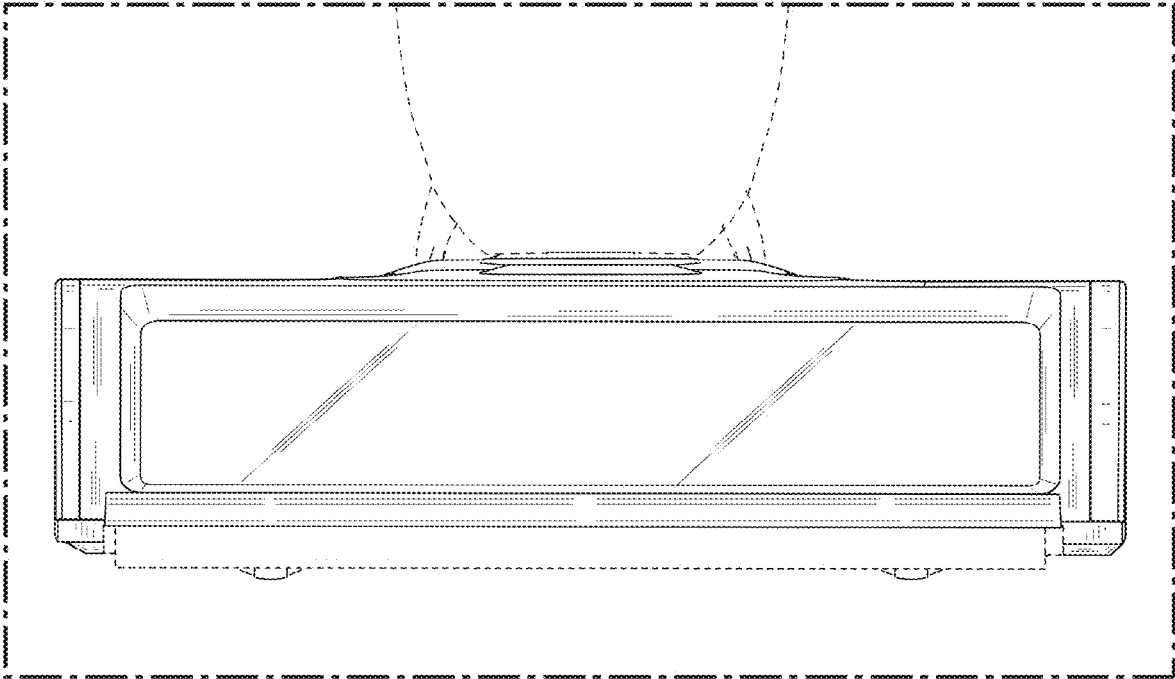
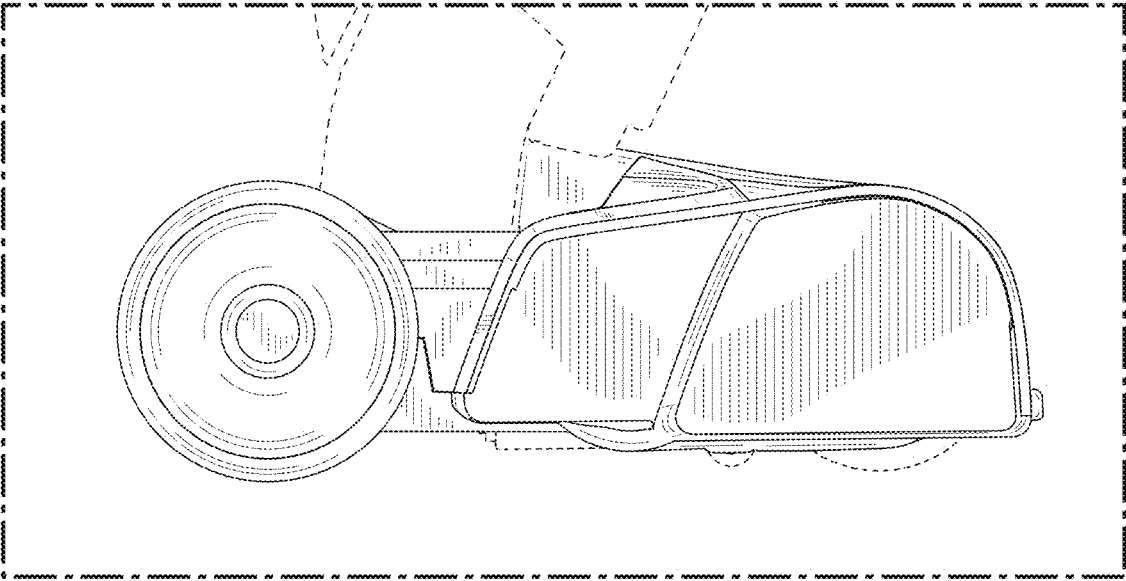


FIG. 5



**FIG. 6**





**FIG. 7**