



US00D751984S

(12) **United States Design Patent**
Lin

(10) **Patent No.:** **US D751,984 S**

(45) **Date of Patent:** **** Mar. 22, 2016**

(54) **RECHARGEABLE BATTERY DEVICE**

(71) Applicant: **Limefuel, LLC**, Boulder, CO (US)

(72) Inventor: **Paul Lin**, Boulder, CO (US)

(73) Assignee: **Limefuel, LLC**, Boulder, CO (US)

(**) Term: **14 Years**

(21) Appl. No.: **29/502,986**

(22) Filed: **Sep. 22, 2014**

(51) **LOC (10) Cl.** **13-02**

(52) **U.S. Cl.**

USPC **D13/103**

(58) **Field of Classification Search**

USPC D13/102-110, 118-119, 184, 199;
D14/356, 432, 251, 253, 434;
320/107-115, 135, 138, 140, 103-105
CPC Y02E 60/12; Y02E 60/122; Y02E 60/124;
Y02E 60/50; H01M 2/02; H01M 2/022;
H01M 2/0202; H01M 2/0207; H01M 2/0212;
H01M 2/1061; H01M 2/1022; H01M 2/1055;
H01M 2/1066; H01M 2/105; H01M 2/204;
H01M 2/20; H01M 2/202; H01M 2/206;
H01M 10/4257; H01M 10/0436; H01M 10/48;
H01M 10/44; H01M 10/46; H01M 10/465;
H01M 10/482; H01M 2200/30; H01M
2250/30; H01M 2250/40; H02J 7/00; H02J
7/0003; H02J 7/0011; H02J 7/0013; H02J
7/0054; H02J 7/0055; H02J 7/0057; H02J
2007/0062

See application file for complete search history.

(56) **References Cited**

U.S. PATENT DOCUMENTS

D311,373 S 10/1990 Morisse et al.
D320,212 S * 9/1991 Someya D13/184
D357,896 S 5/1995 Berry
D363,056 S * 10/1995 Vinciarelli D13/110

D375,933 S 11/1996 Kao
D382,536 S 8/1997 Amero, Jr.
D409,136 S * 5/1999 Sumita D13/103
D409,623 S 5/1999 Bianco
6,394,343 B1 5/2002 Berg et al.
6,406,811 B1 6/2002 Hall et al.
6,499,190 B2 12/2002 Ruiz Rodriguez
D468,720 S 1/2003 Birkholz
D496,906 S * 10/2004 Vinciarelli D13/110
D506,438 S * 6/2005 Vinciarelli D13/110
D509,472 S * 9/2005 Vinciarelli D13/110
D517,476 S 3/2006 Green
D524,242 S * 7/2006 Adams D13/103
D531,134 S 10/2006 Nielsen et al.

(Continued)

OTHER PUBLICATIONS

U.S. Appl. No. 29/502,977, filed Sep. 22, 2014, Lin.

(Continued)

Primary Examiner — Rosemary K Tarcza

Assistant Examiner — Sanjeev Paul

(74) *Attorney, Agent, or Firm* — Sheridan Ross P.C.

(57)

CLAIM

The ornamental design for a rechargeable battery device, as shown and described.

DESCRIPTION

FIG. 1 is a front perspective view of the rechargeable battery device;

FIG. 2 is a rear perspective view thereof;

FIG. 3 is a right elevation view thereof;

FIG. 4 is a left elevation view thereof;

FIG. 5 is a rear elevation view thereof;

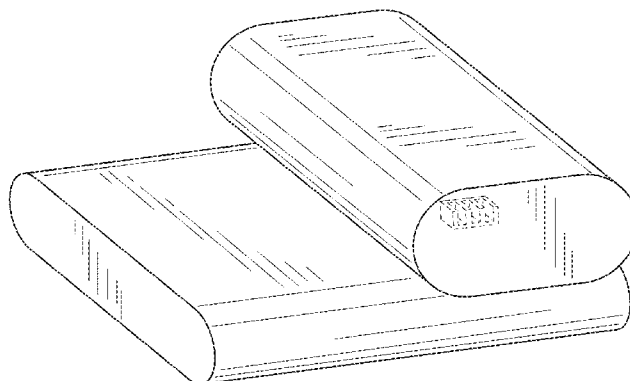
FIG. 6 is a front elevation view thereof;

FIG. 7 is a top plan view thereof; and,

FIG. 8 is a bottom plan view thereof.

The broken lines showing a rechargeable battery device are included for the purpose of illustrating environment and form no part of the claimed design.

1 Claim, 4 Drawing Sheets



(56)

References Cited

OTHER PUBLICATIONS

U.S. PATENT DOCUMENTS

D580,953 S 11/2008 Andre et al.
 D593,489 S 6/2009 Yang
 D611,407 S * 3/2010 Webb D13/108
 D629,365 S 12/2010 Garcia De Vicuna
 D662,044 S * 6/2012 Lemelman D13/103
 D669,427 S * 10/2012 Ignor D13/103
 D682,778 S 5/2013 Baumgartner et al.
 D684,926 S * 6/2013 Murchison D13/107
 D685,319 S * 7/2013 Ignor D13/103
 D689,019 S 9/2013 Sato et al.
 D700,139 S * 2/2014 Chan D13/103
 D705,782 S * 5/2014 McParland D14/435
 D711,311 S * 8/2014 Corbin D13/103
 D715,219 S * 10/2014 Cephress D13/103
 D719,087 S * 12/2014 Bataillou D13/103
 D724,020 S * 3/2015 Kwon D13/103
 D724,528 S * 3/2015 Kwon D13/103
 D724,530 S * 3/2015 Kwon D13/103
 D724,533 S * 3/2015 Kwon D13/103
 D725,590 S 3/2015 Clyne et al.
 D729,727 S * 5/2015 Lin D13/103
 D731,419 S * 6/2015 Kao D13/108
 D733,051 S * 6/2015 Wang D13/103
 2009/0098443 A1 4/2009 Yamamoto et al.
 2011/0117418 A1 * 5/2011 Meintschel H01M 2/0207
 429/153
 2013/0202932 A1 8/2013 Song et al.
 2014/0072850 A1 * 3/2014 Kwon H01M 10/0413
 429/94
 2015/0288021 A1 * 10/2015 Kwon H01M 10/052
 429/94

U.S. Appl. No. 29/502,983, filed Sep. 22, 2014, Lin.
 U.S. Appl. No. 29/502,985, filed Sep. 22, 2014, Lin.
 U.S. Appl. No. 29/502,988, filed Sep. 22, 2014, Lin.
 U.S. Appl. No. 29/502,990, filed Sep. 22, 2014, Lin.
 U.S. Appl. No. 29/479,883, filed Jan. 21, 2014, Lin.
 U.S. Appl. No. 29/491,238, filed May 19, 2014, Lin.
 U.S. Appl. No. 29/514,954, filed Jan. 19, 2015, Lin.
 U.S. Appl. No. 29/517,938, filed Feb. 18, 2015, Lin.
 U.S. Appl. No. 29/517,939, filed Feb. 18, 2015, Lin.
 U.S. Appl. No. 29/518,222, filed Feb. 20, 2015, Lin.
 Notice of Allowance for U.S. Appl. No. 29/491,238, mailed Jan. 5, 2015, 8 pages.
 Notice of Allowance for U.S. Appl. No. 29/479,883, mailed Jan. 21, 2015 6 pages.
 Notice of Allowance for U.S. Appl. No. 29/502,977, mailed Nov. 2, 2015 11 pages.
 Notice of Allowance for U.S. Appl. No. 29/502,983, mailed Nov. 13, 2015 8 pages.
 Notice of Allowance for U.S. Appl. No. 29/502,985, mailed Nov. 10, 2015 11 pages.
 Notice of Allowance for U.S. Appl. No. 29/502,988, mailed Nov. 18, 2015 12 pages.
 Notice of Allowance for U.S. Appl. No. 29/502,990, mailed Nov. 2, 2015 11 pages.

* cited by examiner

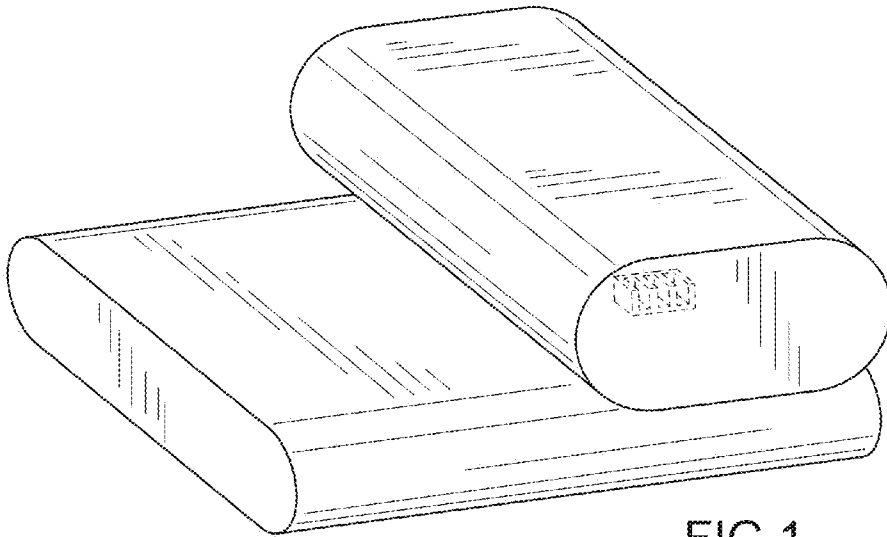


FIG. 1

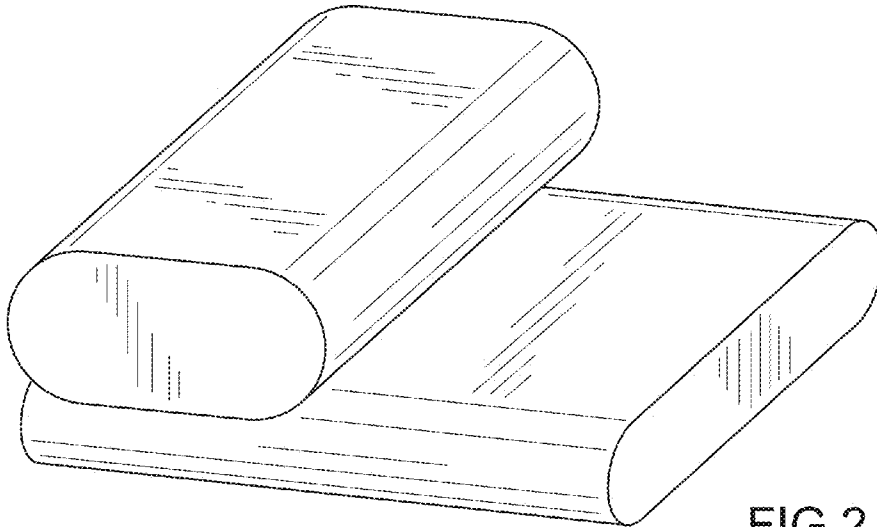


FIG. 2

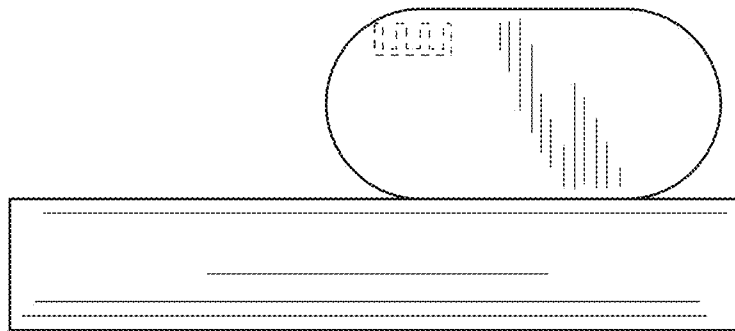


FIG.3

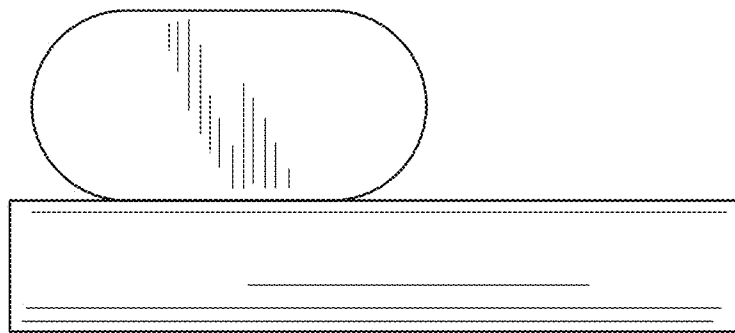


FIG.4

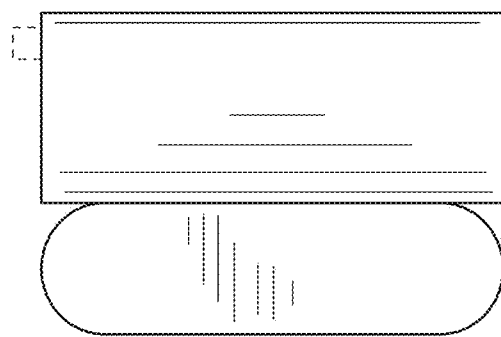


FIG. 5

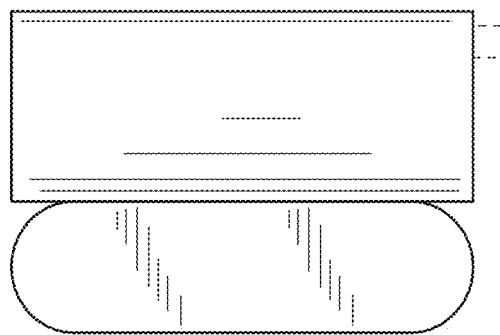


FIG. 6

