



US00D901477S

(12) **United States Design Patent**  
**Kim**

(10) **Patent No.:** **US D901,477 S**

(45) **Date of Patent:** **\*\* Nov. 10, 2020**

(54) **CASE FOR ELECTRONIC COMMUNICATIONS DEVICE**

(71) Applicant: **SPIGEN KOREA CO., LTD.**, Seoul (KR)

(72) Inventor: **Seung Joo Kim**, Seoul (KR)

(73) Assignee: **Spigen Korea CO., LTD.**, Seoul (KR)

(\*\*) Term: **15 Years**

(21) Appl. No.: **29/688,194**

(22) Filed: **Apr. 18, 2019**

(51) **LOC (12) Cl.** ..... **14-03**

(52) **U.S. Cl.**  
USPC ..... **D14/250**

(58) **Field of Classification Search**  
USPC ..... D3/201, 218, 226, 227, 247, 249, 250,  
D3/269, 303; D13/103, 107, 108, 119;  
(Continued)

(56) **References Cited**

**U.S. PATENT DOCUMENTS**

D613,761 S 4/2010 Jones  
D613,762 S 4/2010 Jones  
(Continued)

**OTHER PUBLICATIONS**

Spigen announces new line of cases for Samsung Galaxy S8 and S8+, publicaiotn date Mar. 30, 2017, [online][site visited Nov. 14, 2017] URL: <https://www.androidcentral.com/overview-spigens-samsung-galaxy-s8-and-s8-plus-case-line> (Year: 2017).\*  
(Continued)

*Primary Examiner* — Susan E Krakower  
*Assistant Examiner* — L. A. Grabenstetter  
(74) *Attorney, Agent, or Firm* — Heedong Chae; Lucem, PC

(57) **CLAIM**

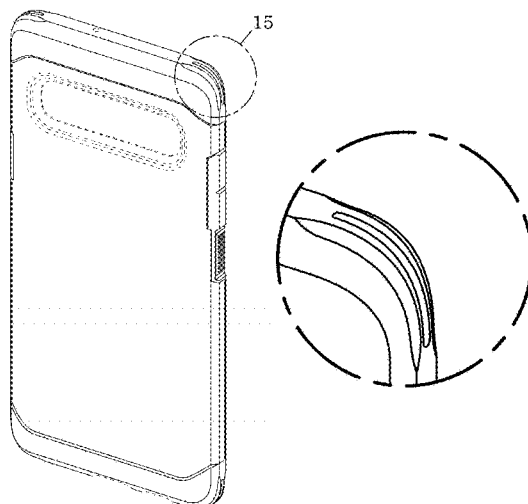
The ornamental design for a case for electronic communications device, as shown and described.

**DESCRIPTION**

FIG. 1 is a front perspective view of a case for electronic communications device showing my new design; FIG. 2 is a rear perspective view thereof; FIG. 3 is a front elevational view thereof; FIG. 4 is a rear elevational view thereof; FIG. 5 is a left side elevational view thereof; FIG. 6 is a right side elevational view thereof; FIG. 7 is a top plan view thereof; FIG. 8 is a bottom plan view thereof; FIG. 9 is a front perspective view showing the inner shell component of the case in isolation; FIG. 10 is a rear perspective view showing the inner shell component of the case in isolation; FIG. 11 is a front perspective view showing the outer frame component of the case in isolation; FIG. 12 is a rear perspective view showing the outer frame component of the case in isolation; FIG. 13 is an exploded front perspective view of the case, showing the components of the case separated for clarity of disclosure; FIG. 14 is an exploded rear perspective view of the case, showing the components of the case separated for clarity of disclosure; and, FIG. 15 is an enlarged detail view of the encircled region of FIG. 2.

Although the case for electronic communications device in which the claimed design is embodied comprises an inner shell component and an outer frame component, the claim is directed to the ornamental appearance of the case in its entirety and does not extend to the ornamental appearance of each of the individual components of the case in isolation. The dash-dot broken line circle in FIG. 2 delineates a portion of the case for electronic communications device that is part of the claimed design and that is shown on an enlarged scale in FIG. 15. The dashed broken lines depict portions of the case that form no part of the claimed design.

**1 Claim, 15 Drawing Sheets**



(58) **Field of Classification Search**

USPC ..... D14/137, 138 R, 138 AA, 138 C, 138 G,  
D14/172, 192, 203.3–203.7, 217, 238.1,  
D14/247, 248, 250–253, 434, 440, 447,  
D14/496

CPC ..... H04B 1/3888; H04M 1/0283;  
H04M 1/0202; A45C 1/06; A45C  
2011/002; A45C 11/00; A45F 2005/028;  
A45F 2200/0525

See application file for complete search history.

(56) **References Cited**

## U.S. PATENT DOCUMENTS

D613,763 S 4/2010 Jones  
D614,668 S 4/2010 Jones  
D619,361 S 7/2010 Andre  
D624,908 S 10/2010 Huskinson  
D636,387 S 4/2011 Willes  
D637,589 S 5/2011 Willes et al.  
D646,265 S 10/2011 Fathollahi  
D650,371 S \* 12/2011 Wibby ..... D14/238.1  
D663,294 S 7/2012 Buxton  
D673,547 S 1/2013 Melanson et al.  
D675,604 S \* 2/2013 Limber ..... D14/250  
D676,035 S 2/2013 Chang  
D679,271 S 4/2013 Liu  
D681,615 S 5/2013 Fathollahi  
D682,260 S \* 5/2013 Tages ..... D14/250  
8,517,172 B1 8/2013 Chang  
D691,123 S \* 10/2013 Lay ..... D14/250  
8,706,176 B1 4/2014 Jia  
D706,254 S 6/2014 Chang  
D709,871 S 7/2014 Lee  
D721,071 S 1/2015 Nelson  
D728,549 S \* 5/2015 Su ..... D14/250  
9,049,283 B1 6/2015 Kim  
9,185,954 B2 11/2015 Cheung  
D749,068 S 2/2016 Zaborski  
D749,535 S 2/2016 Joung  
D749,594 S 2/2016 Kim  
9,281,858 B2 \* 3/2016 Fathollahi ..... H04B 1/3888  
D753,099 S 4/2016 Kim  
D755,764 S 5/2016 Dong  
D755,772 S 5/2016 Sasaki  
D756,339 S 5/2016 Tussy  
D756,340 S 5/2016 Babichenko  
D756,343 S 5/2016 Wall et al.  
D756,909 S 5/2016 Gupta  
D756,977 S 5/2016 Schriefer  
D756,978 S 5/2016 Addonisio  
D756,980 S 5/2016 Beeman  
D757,703 S 5/2016 Kanazawa  
D759,641 S 6/2016 Lai et al.  
D759,642 S 6/2016 Chao  
D762,633 S 8/2016 Fife  
D765,634 S 9/2016 McCray et al.  
D765,635 S 9/2016 Chang  
D765,638 S 9/2016 Gaylord  
D765,640 S 9/2016 Bulkley  
D768,615 S 10/2016 Wang  
9,467,189 B2 10/2016 Day et al.  
D771,028 S 11/2016 Kim  
D771,607 S 11/2016 Kim  
D771,608 S 11/2016 Kim  
D772,209 S 11/2016 Kim  
D772,858 S 11/2016 Hu  
9,503,147 B2 11/2016 Witter et al.  
D775,620 S 1/2017 Kim  
D776,104 S 1/2017 Tien  
D776,648 S 1/2017 Kim  
D777,155 S 1/2017 Kim  
D777,156 S 1/2017 Kim  
D777,160 S 1/2017 Kim  
9,545,140 B1 1/2017 Johnson et al.  
D778,897 S \* 2/2017 Kim ..... D14/250  
D778,898 S 2/2017 Kim

D780,166 S 2/2017 Lin  
D780,167 S 2/2017 Tien  
D786,233 S 5/2017 Kim  
D786,851 S 5/2017 Kim  
D786,852 S 5/2017 Kim  
D787,491 S 5/2017 Kim  
D787,942 S 5/2017 Kim  
D788,760 S 6/2017 Kim  
D789,344 S \* 6/2017 Kim ..... D14/250  
D791,116 S 7/2017 Kim  
D791,755 S 7/2017 Kim  
D796,497 S 9/2017 Kim  
D797,094 S \* 9/2017 Kim ..... D14/250  
D798,284 S \* 9/2017 Kim ..... D14/250  
D802,574 S 11/2017 Kim  
D803,206 S \* 11/2017 Kim ..... D14/250  
D806,063 S \* 12/2017 Kim ..... D14/250  
D807,338 S 1/2018 Kim  
D808,944 S 1/2018 Kim  
D808,955 S 1/2018 Park et al.  
D809,498 S \* 2/2018 Ahn ..... D14/250  
D810,726 S 2/2018 Chou et al.  
D812,600 S \* 3/2018 Altaras ..... D14/250  
D813,854 S 3/2018 Lee et al.  
D815,085 S \* 4/2018 Kim ..... D14/250  
D819,013 S 5/2018 Kim  
D820,245 S \* 6/2018 Kim ..... D14/250  
D820,819 S \* 6/2018 Kim ..... D14/250  
D823,293 S 7/2018 Kim et al.  
D823,296 S 7/2018 Kim et al.  
D823,297 S 7/2018 Kim et al.  
D823,298 S 7/2018 Kim et al.  
D828,346 S \* 9/2018 Kim ..... D14/250  
D833,426 S \* 11/2018 Yun ..... D14/250  
D836,623 S \* 12/2018 Hyun ..... D14/250  
D858,501 S \* 9/2019 Jung ..... D14/250  
D861,658 S \* 10/2019 Yun ..... D14/250  
D861,662 S \* 10/2019 Ahn ..... D14/250  
D863,282 S \* 10/2019 Jung ..... D14/250  
D864,182 S \* 10/2019 Jung ..... D14/250  
2009/0017883 A1 1/2009 Lin  
2011/0050606 A1 3/2011 Zhang  
2013/0077211 A1 3/2013 Wang  
2013/0126531 A1 5/2013 Hyneccek  
2014/0262855 A1 9/2014 Gandhi  
2014/0360892 A1 12/2014 Lin  
2015/0156297 A1 6/2015 Crawford  
2015/0335116 A1 11/2015 Kim  
2016/0028430 A1 1/2016 Crawford  
2016/0101902 A1 4/2016 Kim  
2016/0204817 A1 7/2016 Kim  
2016/0285301 A1 9/2016 Kim  
2016/0374443 A1 12/2016 Kim  
2017/0150792 A1 6/2017 Kim

## OTHER PUBLICATIONS

“Spigen Slim Armor View Galaxy S4 Case with Automatic Sleep / Wake Feature for Galaxy S4 2013—Soul Black”, <https://www.amazon.com/dp/B00DCCVS5Y>, Earliest review date of Mar. 18, 2013, Downloaded on Feb. 19, 2019.

“Spigen Slim Armor View Galaxy S5 Case with Automatic Sleep / Wake Feature for Samsung Galaxy S5 2014—View Smooth White”, <https://www.amazon.com/dp/B00KGG02EI>, Earliest review date of Jan. 18, 2014, Downloaded on Jan. 16, 2019.

“Spigen Tough Armor Galaxy S5 Case with Extreme Heavy Duty Protection and Air Cushion Technology for Samsung Galaxy S5 2014—Gunmetal”, <https://www.amazon.com/Spigen-Extreme-Protection-Cushion-Technology/dp/B0013UWDV8>, Earliest review date of Mar. 9, 2014, Downloaded on Aug. 9, 2018.

“Spigen Slim Armor Galaxy S5 Case with Air Cushion Technology and Hybrid Drop Protection for Samsung Galaxy S5 2014—Metal Slate”, <https://www.amazon.com/dp/B0013UWD7C>, Earliest review date of Apr. 11, 2014, Downloaded on Sep. 18, 2018.

“Spigen Slim Armor Galaxy Note 4 Case with Air Cushion Technology and Hybrid Drop Protection for Samsung Galaxy Note 4

(56)

**References Cited**

## OTHER PUBLICATIONS

2014—Shimmery White”, <https://www.amazon.com/dp/B00MAWQPJQ>, Earliest review date of Oct. 7, 2014, Downloaded on Jul. 30, 2018.

“Spigen Tough Armor Galaxy Note 4 Case with Extreme Heavy Duty Protection and Air Cushion Technology for Samsung Galaxy Note 4 2014—Gunmetal”, <https://www.amazon.com/dp/B00MAWQU14>, Earliest review date of Oct. 9, 2014, Downloaded on Aug. 31, 2018.

“Spigen Tough Armor Galaxy S6 Edge Case with Kickstand and Extreme Heavy Duty Protection and Air Cushion Technology for Galaxy S6 Edge 2015—Gunmetal”, <https://www.amazon.com/dp/B00SV63L38>, Earliest review date of Mar. 12, 2015, Downloaded on Aug. 9, 2018.

“Spigen Slim Armor Galaxy S6 Case with Air Cushion Technology and Hybrid Drop Protection with Kickstand for Samsung Galaxy S6 (2015)—Shimmery White”, <https://www.amazon.com/dp/B00QU4NQMY>, Earliest review date of Mar. 21, 2015, Downloaded on Sep. 18, 2018.

“Spigen Tough Armor Galaxy S6 Case with Kickstand and Air Cushion Technology for Galaxy S6 2015—Gunmetal”, <https://www.amazon.com/dp/B00QU4PUKK>, Earliest review date of Mar. 23, 2015, Downloaded on Aug. 9, 2018.

Spigen Slim Armor Galaxy S6 Edge Case with Kickstand and Air Cushion Technology and Hybrid Drop Protection for Galaxy S6 Edge 2015—Gunmetal, <https://www.amazon.com/dp/B00SV638ZE>, Earliest review date of Apr. 3, 2015, Downloaded on Sep. 18, 2018.

“Spigen Slim Armor Galaxy Note 5 Case with Air Cushion Technology and Hybrid Drop Protection for Galaxy Note 5 2015—Metal Slate”, <https://www.amazon.com/dp/B010MWHIKA>, Earliest review date of Aug. 21, 2015, Downloaded on Jul. 18, 2018.

Korguenkomodo, “Slim Armor case—Galaxy S6 Edge Plus”, Published on Oct. 12, 2015, Downloaded on Mar. 19, 2019.

“Spigen Tough Armor Galaxy S7 Edge Case with Kickstand and Extreme Heavy Duty Protection and Air Cushion Technology for Samsung Galaxy S7 Edge 2016—Gunmetal”, <https://www.amazon.com/dp/B01A7IDNWQ>, Earliest review date of Feb. 24, 2016, Downloaded on Aug. 9, 2018.

“Spigen Tough Armor Galaxy S7 Case with Extreme Heavy Duty Protection and Air Cushion Technology for Samsung Galaxy S7 2016—Gunmetal”, <https://www.amazon.com/dp/B01A7ID3PS>, Earliest review date of Feb. 25, 2016, Downloaded on Aug. 9, 2018.

“Spigen Slim Armor Galaxy S7 Edge Case with Kickstand and Air Cushion Technology and Hybrid Drop Protection for Samsung Galaxy S7 Edge 2016—Champagne Gold”, <https://www.amazon.com/dp/B01BEBBVY6>, Earliest review late of Feb. 26, 2016, Downloaded on Sep. 18, 2018.

“Spigen Slim Armor Galaxy S7 Case with Air Cushion Technology and Hybrid Drop Protection for Samsung Galaxy S7 2016—Violet”, <https://www.amazon.com/dp/B01AUR1D8K>, Earliest review date of Mar. 2, 2016, Downloaded on Sep. 18, 2018.

“Spigen Slim Armor Galaxy A5 2017 Case with Air Cushion Technology and Hybrid Drop Protection with Kickstand for Samsung Galaxy A5 2017—Metal Slate”, <http://www.amazon.com/dp/B01MTA3AAN>, Earliest review date of Apr. 1, 2017, downloaded on Sep. 18, 2018.

“Spigen Slim Armor Galaxy S8 Plus Case with Air Cushion Technology and Hybrid Drop Protection for Galaxy S8 Plus (2017)—Orchid Gray”, <http://www.amazon.com/dp/B0716CZ3Z1>, Earliest review date of Aug. 8, 2017, downloaded on Jul. 18, 2018.

“Spigen Tough Armor Galaxy S8 Plus Case with Reinforced Kickstand and Heavy Duty Protection and Air Cushion Technology for Samsung Galaxy S8 Plus (2017)—Black”, <https://www.amazon.com/dp/B06XP4FP8N>, Earliest review late of Apr. 8, 2017, Downloaded on Aug. 9, 2018.

“Spigen Tough Armor Galaxy S8 Case with Kickstand and Extreme Heavy Duty Protection and Air Cushion Technology for Samsung Galaxy S8 (2017)—Black”, <http://www.amazon.com/dp/B0716CZ3Z1>, Earliest review date of Apr. 9, 2017, downloaded on Aug. 9, 2018.

“Spigen Slim Armor S8 Case with Air Cushion Technology and Hybrid Drop Protection for Samsung S8 (2017)—Black”, <http://www.amazon.com/dp/B01LP5XL0K>, Earliest review date of Apr. 22, 2017, downloaded on Sep. 18, 2018.

“Spigen Tough Armor Galaxy Note 8 Case with Kickstand and Extreme Heavy Duty Protection and Air Cushion Technology for Galaxy Note 8 (2017)—Orchid Gray”, <http://www.amazon.com/dp/B073R7MND3>, Earliest review date of Aug. 26, 2017, downloaded on Aug. 9, 2018.

“Spigen Tough Armor Galaxy S8 Active Case with Kickstand and Extreme Heavy Duty Protection and Air Cushion Technology for Galaxy S8 Active (2017)—Gunmetal”, <http://www.amazon.com/dp/B0746PT25T>, Earliest review date of Sep. 15, 2017, downloaded on Aug. 9, 2018.

“Spigen Slim Armor Galaxy Note P Case with Air Cushion Technology and Hybrid Drop Protection for Galaxy Note P (2017)—Metal Slate”, <https://www.amazon.com/Spigen-Galaxy-Cushion-Technology-Protection/dp/B073RWL7WP>, Earliest review date of Nov. 28, 2017, downloaded on Jan. 16, 2019.

“Spigen Tough Armor Galaxy S9 Plus Case with Reinforced Kickstand and Heavy Duty Protection and Air Cushion Technology for Samsung Galaxy S9 Plus (2018)—Lilac Purple”, <http://www.amazon.com/dp/B078BBPY98>, Earliest review date of Mar. 1, 2018, downloaded on Jan. 15, 2019.

“Spigen Tough Armor Galaxy S9 Case with Reinforced Kickstand and Heavy Duty Protection and Air Cushion Technology for Samsung Galaxy S9 (2018)—Graphite Gray”, <http://www.amazon.com/dp/B078B3K513>, Earliest review late of Mar. 10, 2018, downloaded on Jan. 16, 2019.

“Spigen Tough Armor Galaxy S9 Case with Reinforced Kickstand and Heavy Duty Protection and Air Cushion Technology for Samsung Galaxy S9 (2018)—Graphite Gray”, <http://www.amazon.com/dp/B078B3K513>, Earliest review date of Mar. 10, 2018, downloaded on Aug. 9, 2018.

“Speck Products Presidio V-Grip iPhone XR Case, Clear/Black”, <http://www.amazon.com/dp/B07H4X8CR7>, Earliest review date of Oct. 27, 2018, downloaded on Jun. 15, 2020.

“Speck Products Presidio V-Grip iPhone Xs Max Case, Clear/Black”, <http://www.amazon.com/dp/B07H4XQPZ9>, Earliest review date of Dec. 17, 2018, downloaded on Jun. 15, 2020.

\* cited by examiner

FIG. 1

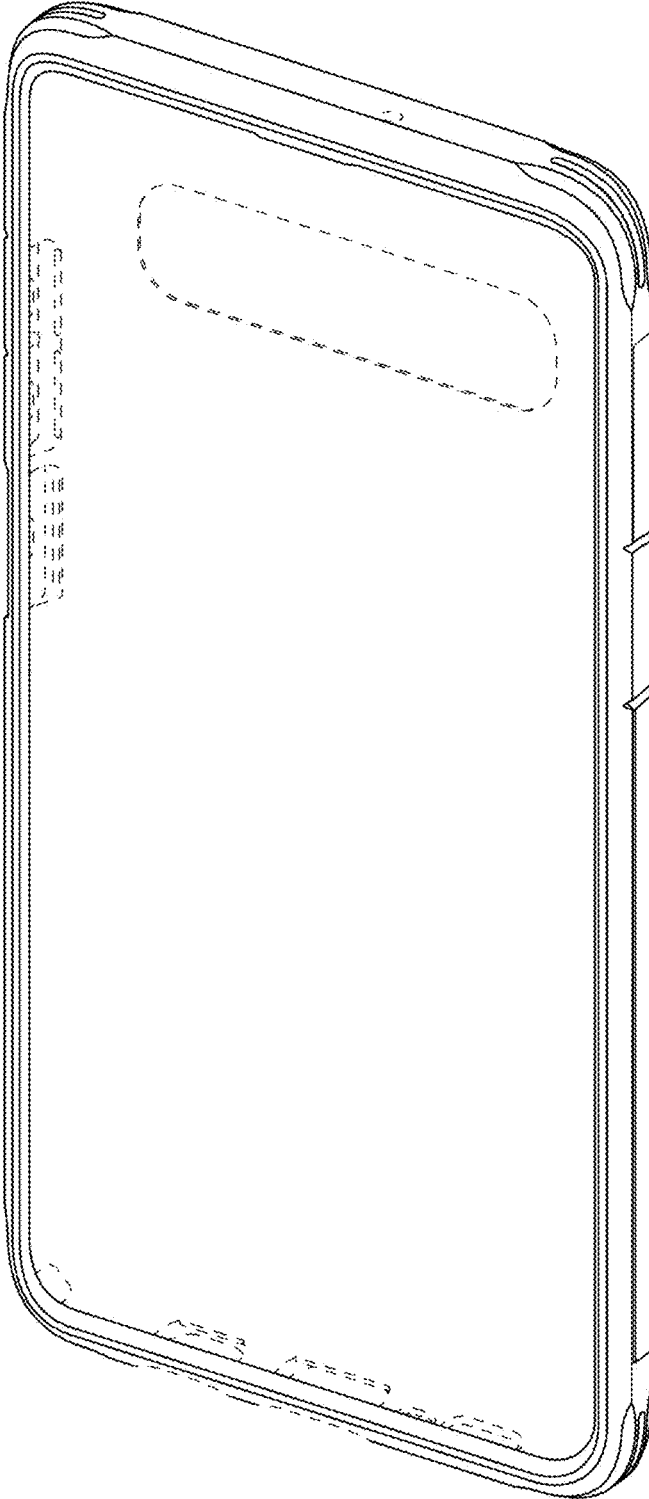


FIG. 2

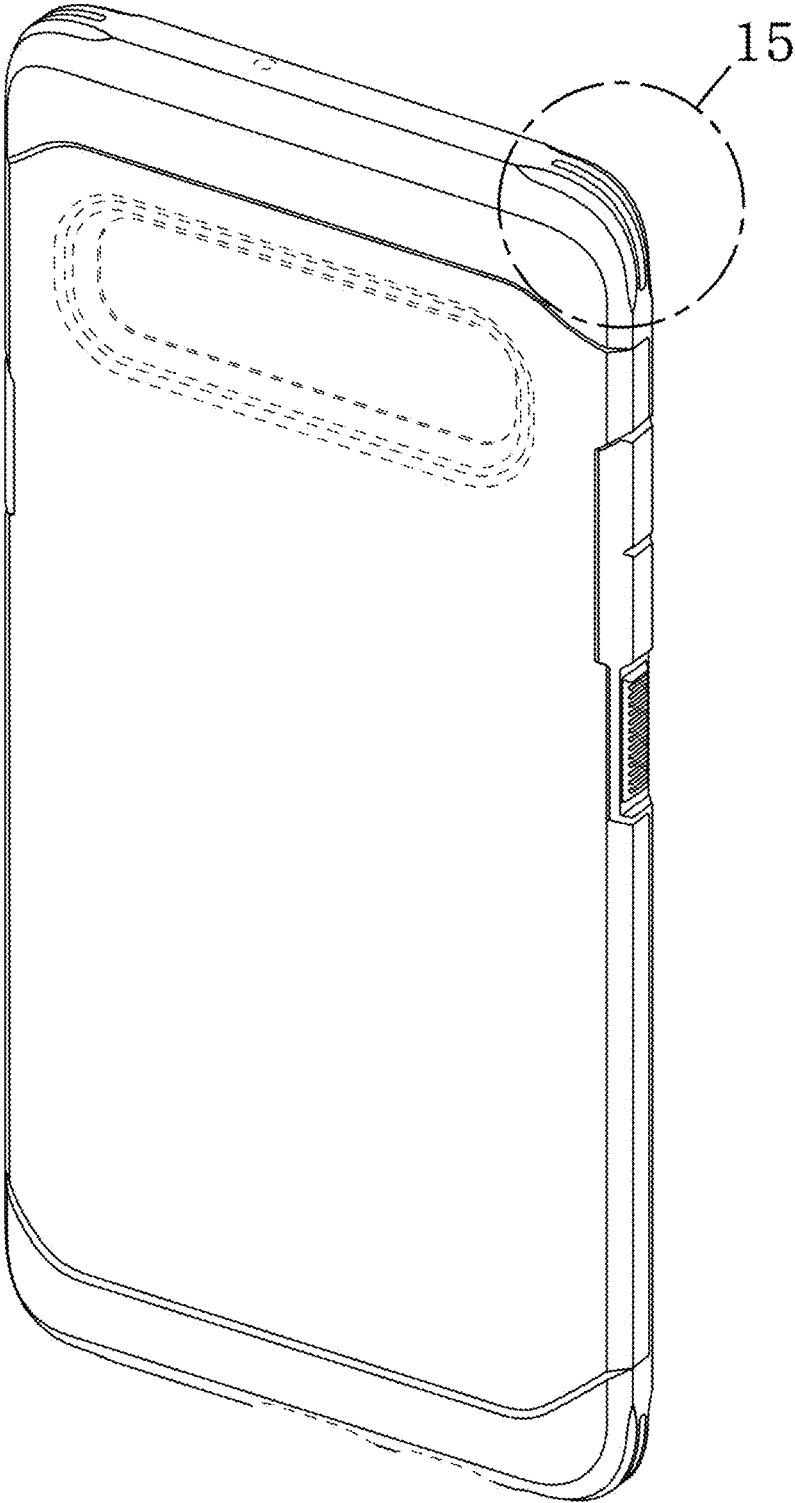


FIG. 3

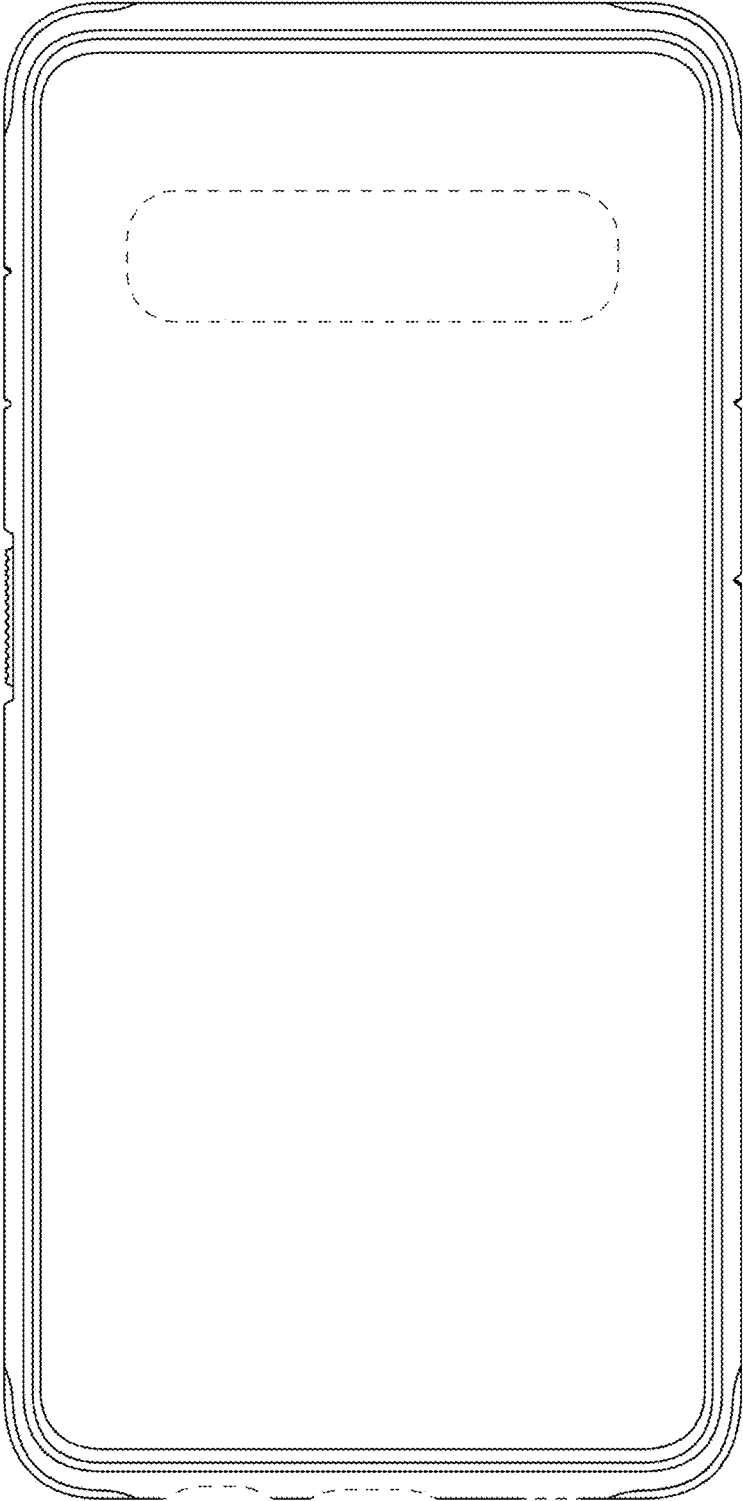


FIG. 4

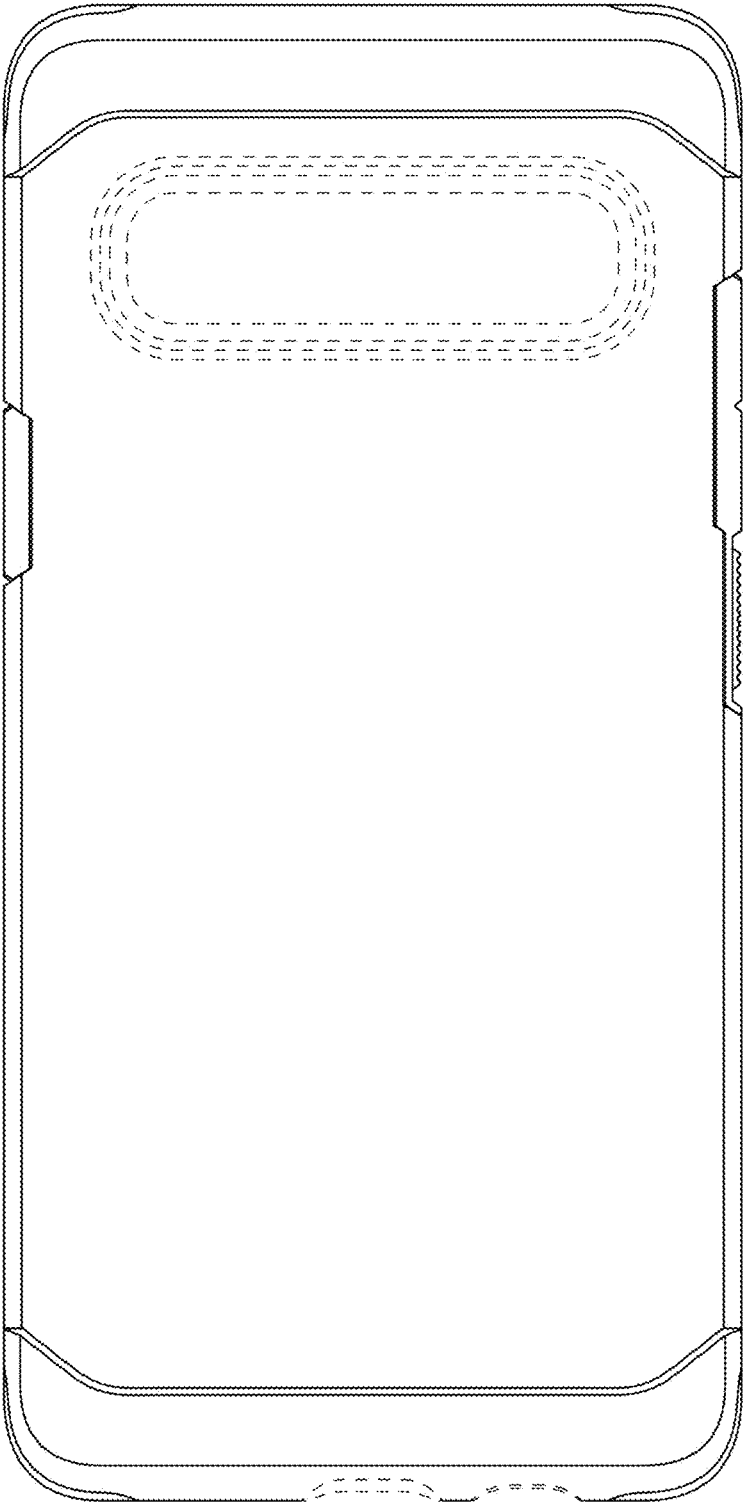


FIG. 5

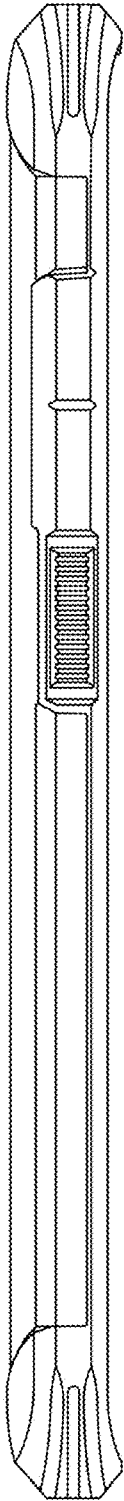




FIG. 6

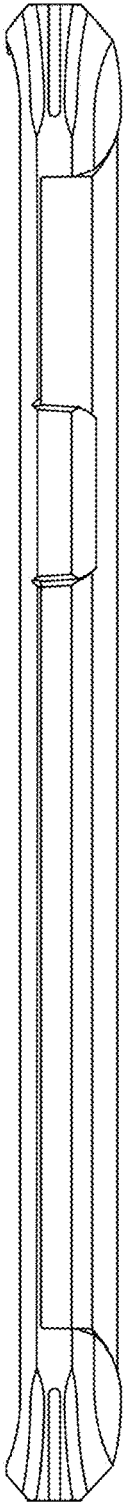


FIG. 7

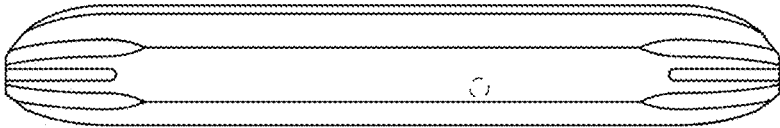


FIG. 8



FIG. 9

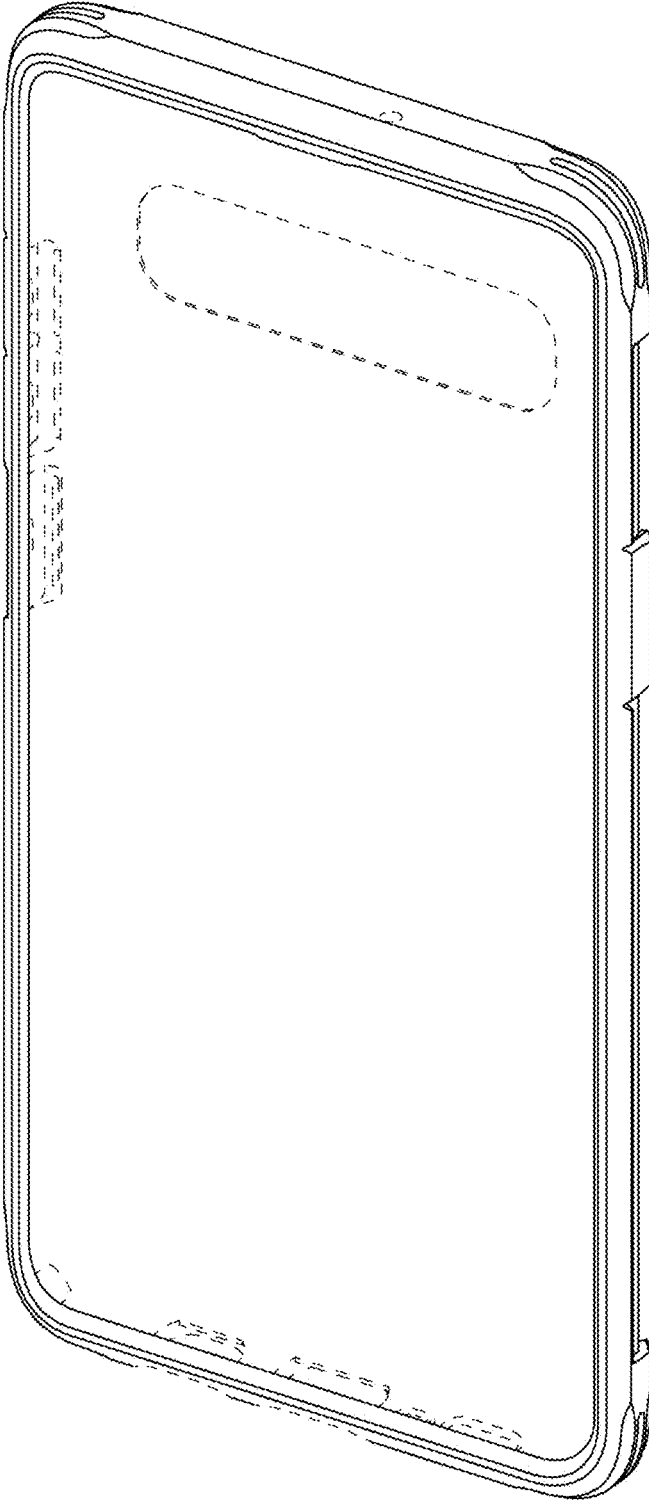


FIG. 10

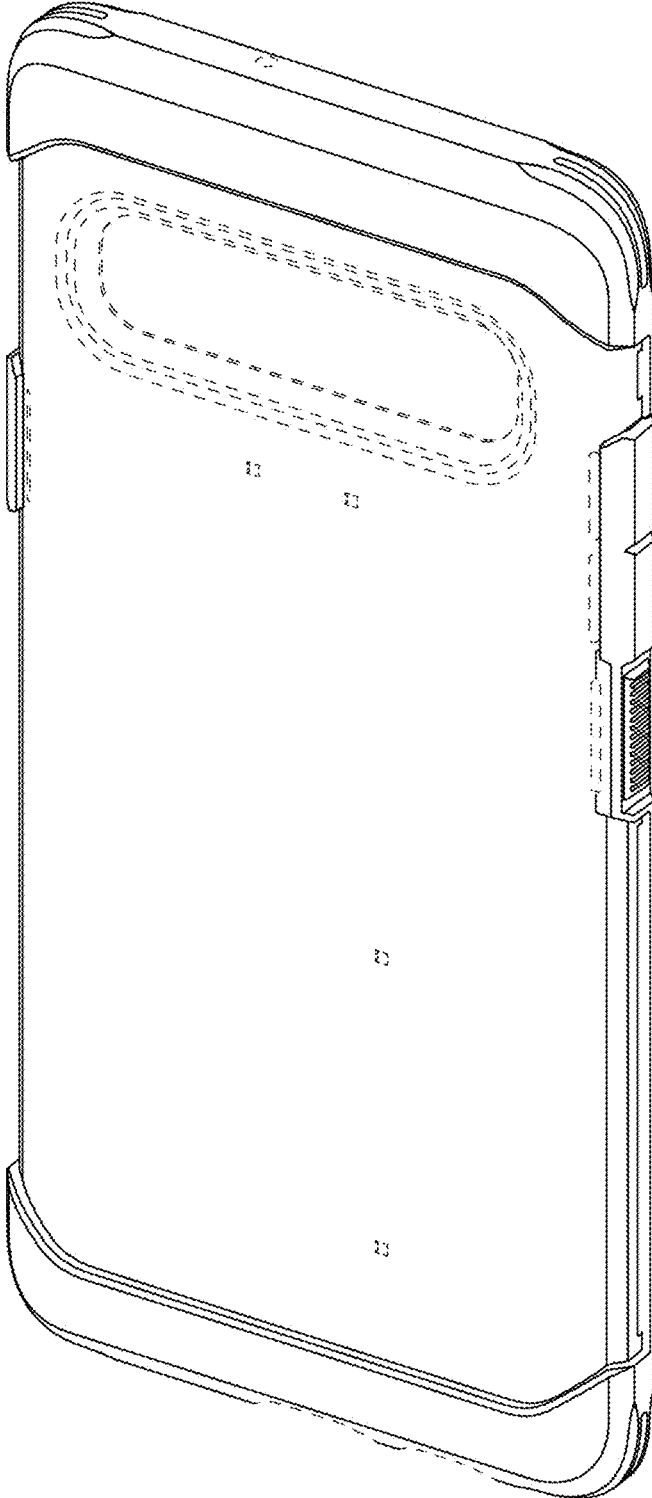


FIG. 11

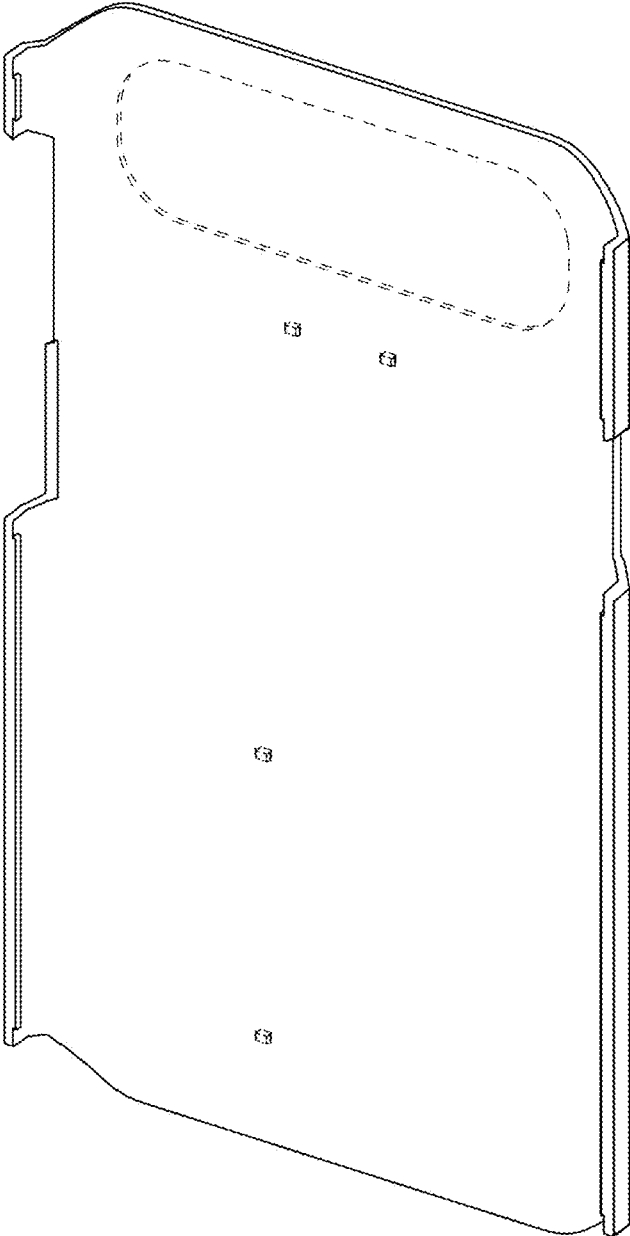


FIG. 12

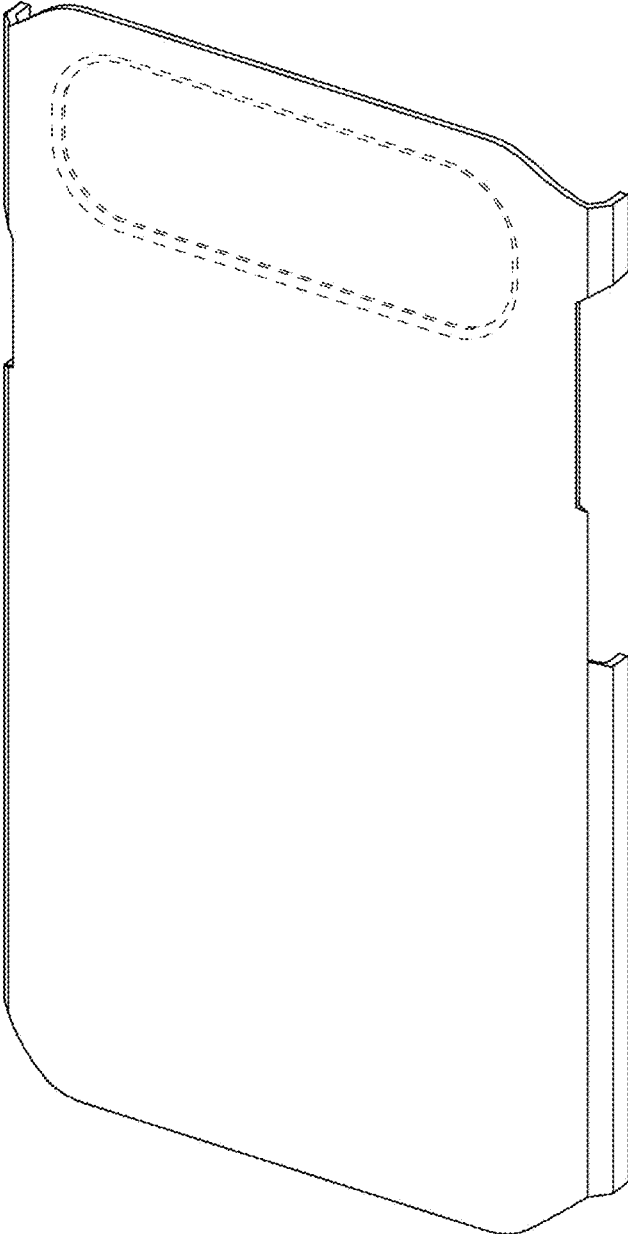


FIG. 13

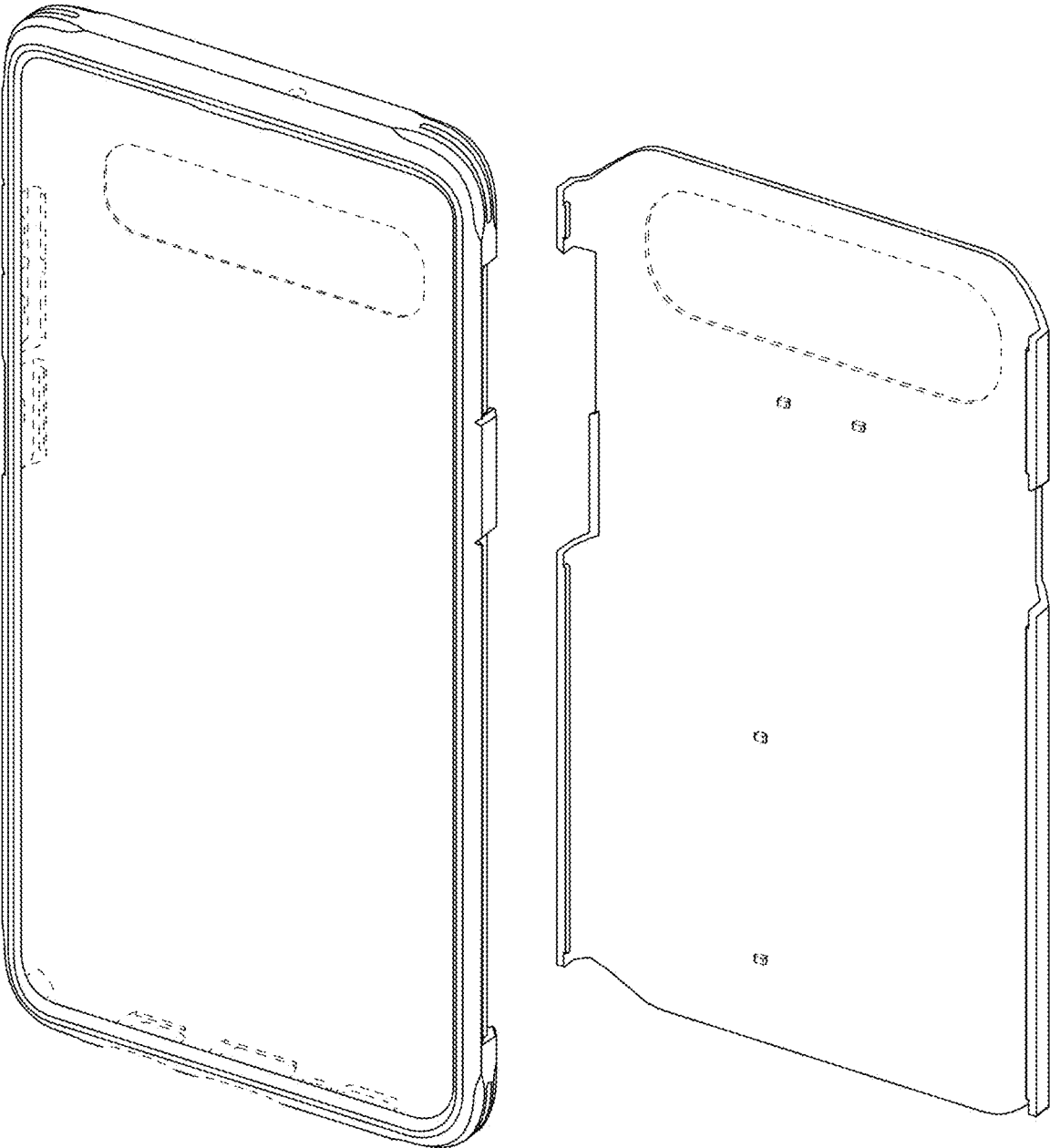




FIG. 14

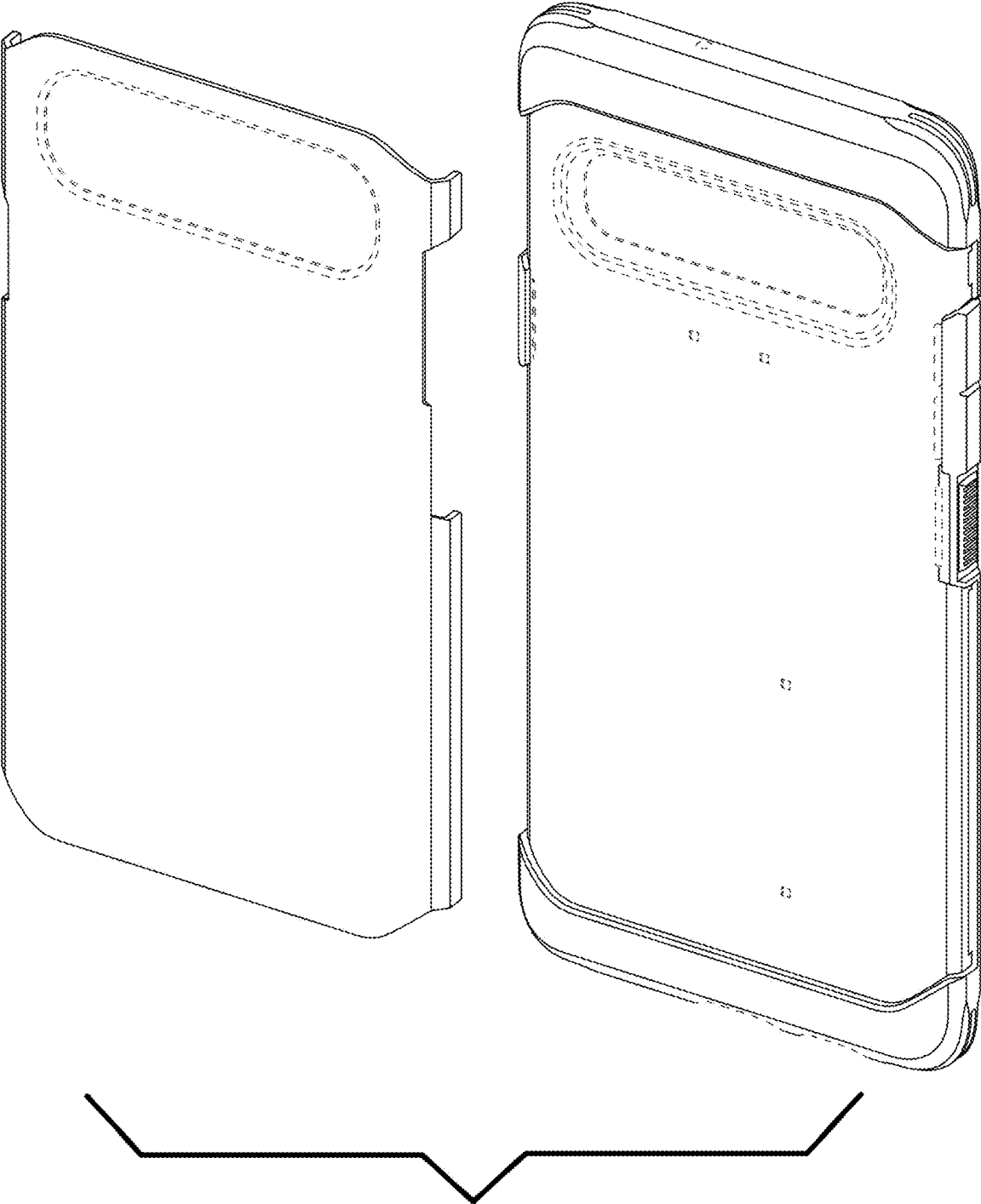


FIG. 15

