



US00D841615S

(12) **United States Design Patent**
Bian et al.

(10) **Patent No.:** **US D841,615 S**

(45) **Date of Patent:** **** Feb. 26, 2019**

- (54) **AUDIO LISTENING SYSTEM**
- (71) Applicant: **Head-Direct (Kunshan) Company Limited**, Kunshan (CN)
- (72) Inventors: **Fang Bian**, Kunshan (CN); **Carol Catalano**, Boston, MA (US); **Peter Castellucci**, Boston, MA (US)
- (73) Assignee: **HEAD-DIRECT (KUNSHAN) COMPANY LIMITED**, Kunshan (CN)
- (**) Term: **15 Years**
- (21) Appl. No.: **29/605,578**
- (22) Filed: **May 26, 2017**
- (30) **Foreign Application Priority Data**

Dec. 30, 2016 (CN) 2016 3 0660819

(51) **LOC (11) CL.** **14-01**

(52) **U.S. CL.**
USPC **D14/205**

(58) **Field of Classification Search**
USPC D14/205, 219, 188, 192, 221, 210, 215, D14/216, 225-228; D29/112; 2/209; 181/129, 130, 135; 379/430, 431; 381/380, 381, 370, 371, 379, 345, 328, 381/355, 180, 356, 300-303, 306, 332, 381/333, 336, 361-364, 385, 386; 455/90.3, 575.1, 569.1
CPC H04R 25/00; H04R 25/02; H04R 1/1066; H04R 1/1016; H04R 5/033; H04R 5/0335
See application file for complete search history.

(56) **References Cited**

U.S. PATENT DOCUMENTS

- 1,666,303 A * 4/1928 Platt F41H 5/26 109/10
- 1,804,529 A * 5/1931 Dreyfus D01C 5/00 216/83

- D156,329 S * 12/1949 Federico et al. D14/227
- D158,448 S * 5/1950 Ethington D14/215
- 2,670,807 A * 3/1954 Brown H04R 7/00 381/186
- D182,794 S * 5/1958 Eames D14/214
- 2,924,290 A * 2/1960 Zuerker H04R 7/12 181/165
- D199,676 S * 12/1964 Reed D14/215
- D203,187 S * 12/1965 Deschamps D14/225
- D246,519 S * 11/1977 Kato D14/205
- 4,424,881 A * 1/1984 Hattori H04R 1/025 181/150
- D278,901 S * 5/1985 Murphy D14/214
- 4,796,307 A * 1/1989 Vantine A63B 71/10 2/13
- D317,159 S * 5/1991 Kurata D14/216
- D317,160 S * 5/1991 Kurata D14/216
- D345,163 S * 3/1994 Yamatogi D14/205
- D346,804 S * 5/1994 Tokiyama D14/225
- 5,420,935 A * 5/1995 Shinohara H04R 1/1016 379/431

(Continued)

Primary Examiner — Paula Allen Greene

(74) *Attorney, Agent, or Firm* — Baker & Hostetler LLP

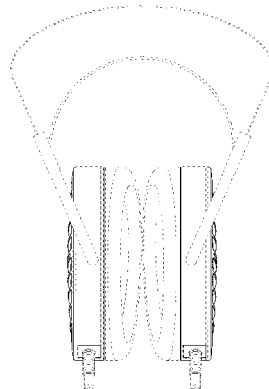
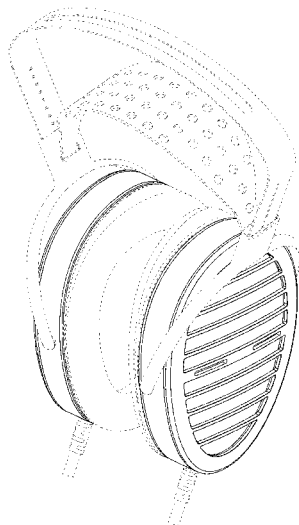
(57) **CLAIM**

The ornamental design for an audio listening system, as shown and described.

DESCRIPTION

FIG. 1 is a perspective view of an audio listening system showing our design; FIG. 2 is a front view thereof; FIG. 3 is a rear view thereof; FIG. 4 is a top view thereof; FIG. 5 is a bottom view thereof; and, FIG. 6 is a right side view thereof. The broken lines in the figures show portions of the audio listening system that form no part of the claimed design.

1 Claim, 4 Drawing Sheets



(56)

References Cited

U.S. PATENT DOCUMENTS

D376,598	S	*	12/1996	Hayashi	D14/205
D387,059	S	*	12/1997	Peng	D14/214
D390,951	S	*	2/1998	Yeh	D14/214
D410,466	S	*	6/1999	Mouri	D14/205
D420,356	S	*	2/2000	Suzuki	D14/205
D422,206	S	*	4/2000	Clark	D14/219
D432,522	S	*	10/2000	Kieltyka	D14/214
D435,249	S	*	12/2000	Yasutomi	D14/205
D467,580	S	*	12/2002	Mori	D14/223
D519,495	S	*	4/2006	Lum	D14/221
D567,215	S	*	4/2008	Lee	D14/205
7,388,960	B2	*	6/2008	Kuo	H04R 1/1041 379/430
D652,022	S	*	1/2012	Miyawaki	D14/216
D712,872	S	*	9/2014	Yuen	D14/205
D727,281	S	*	4/2015	Levine	D14/205
D728,512	S	*	5/2015	Nakagawa	D14/205
D736,175	S	*	8/2015	Levine	D14/205
D746,790	S	*	1/2016	Strasberg	D14/205
D762,191	S	*	7/2016	Levine	D14/205
D765,055	S	*	8/2016	Hsieh	D14/205
D766,870	S	*	9/2016	Catalano	D14/205
D784,956	S	*	4/2017	Homewood	D14/205
9,774,943	B1	*	9/2017	Weitzner	H04R 1/105
D812,588	S	*	3/2018	Levine	D14/205
D812,589	S	*	3/2018	Wernblad	D14/205
D815,615	S	*	4/2018	Wernblad	D14/205

* cited by examiner

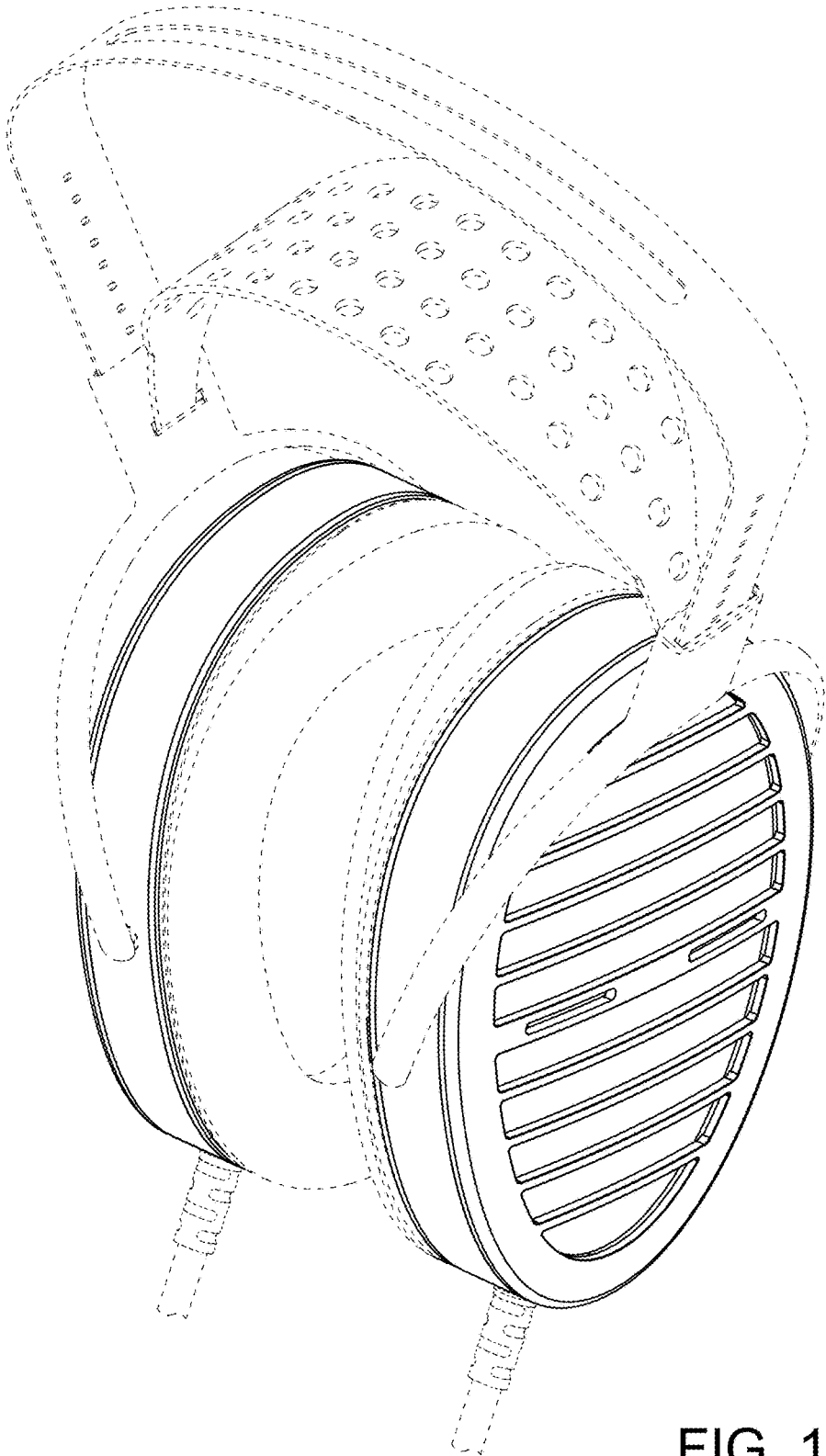


FIG. 1

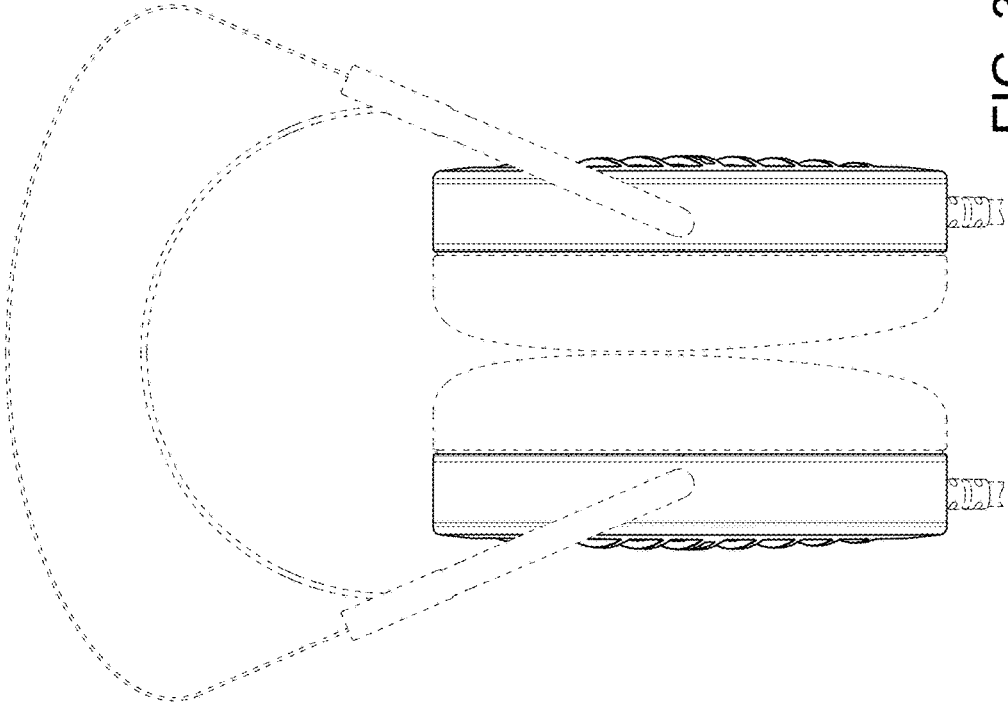


FIG. 3

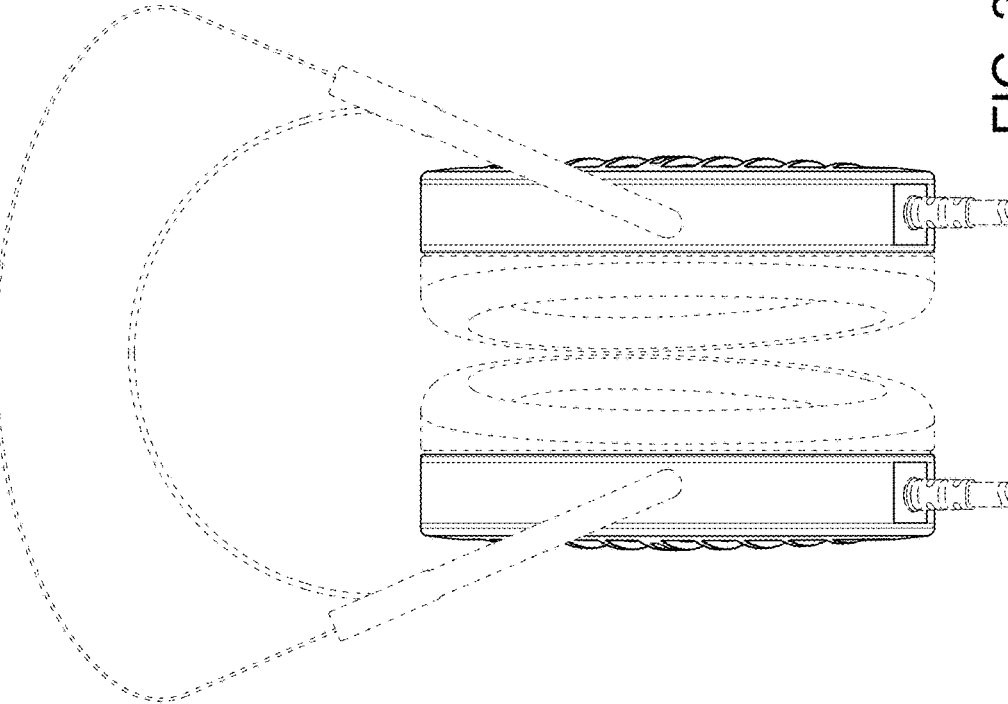


FIG. 2

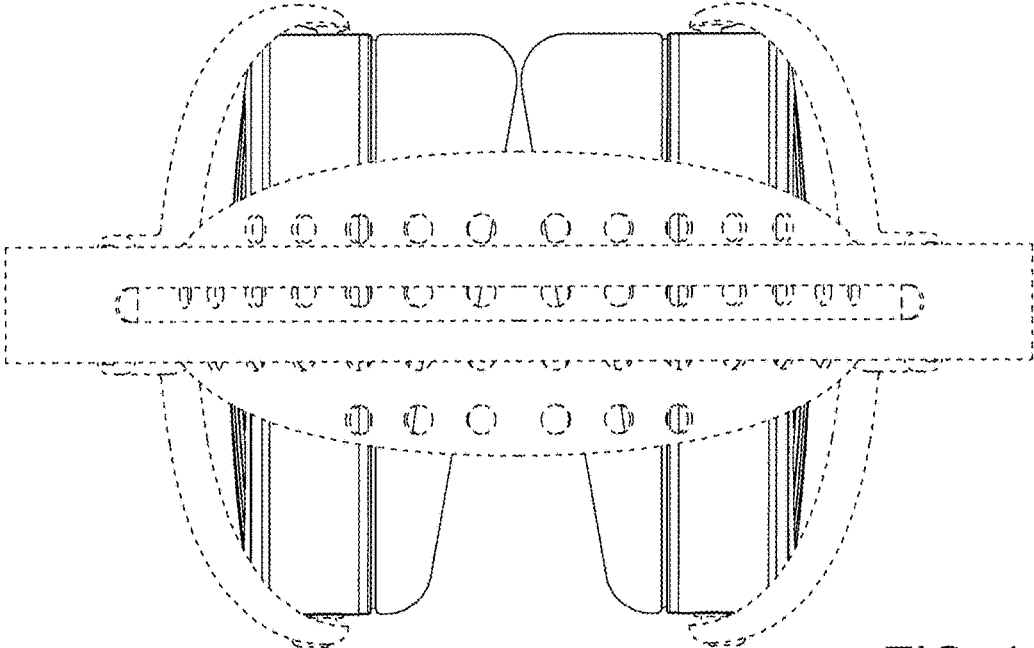


FIG. 4

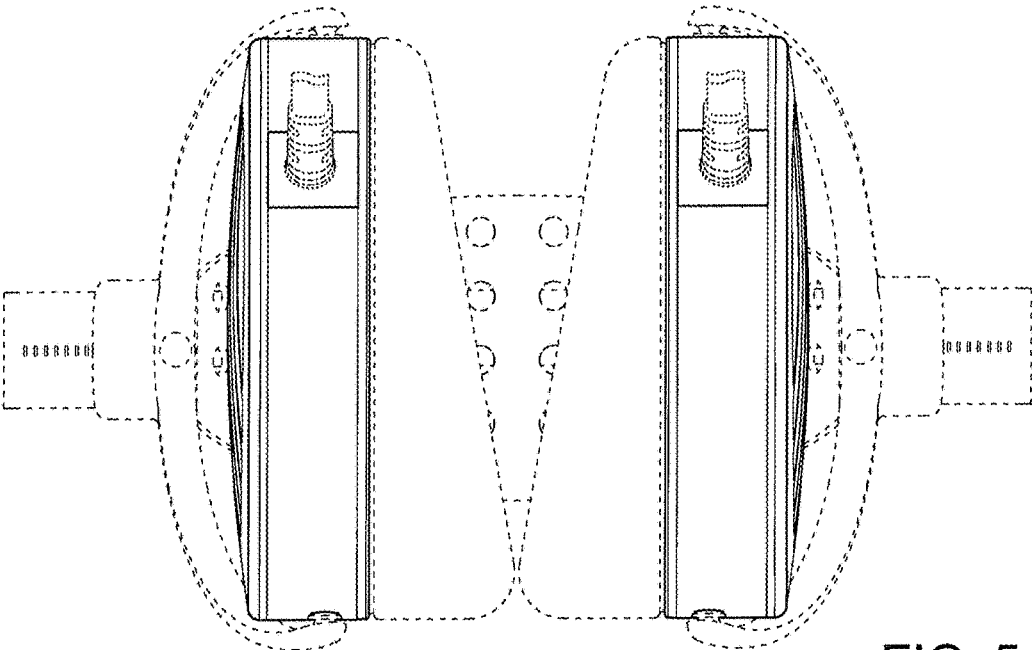


FIG. 5

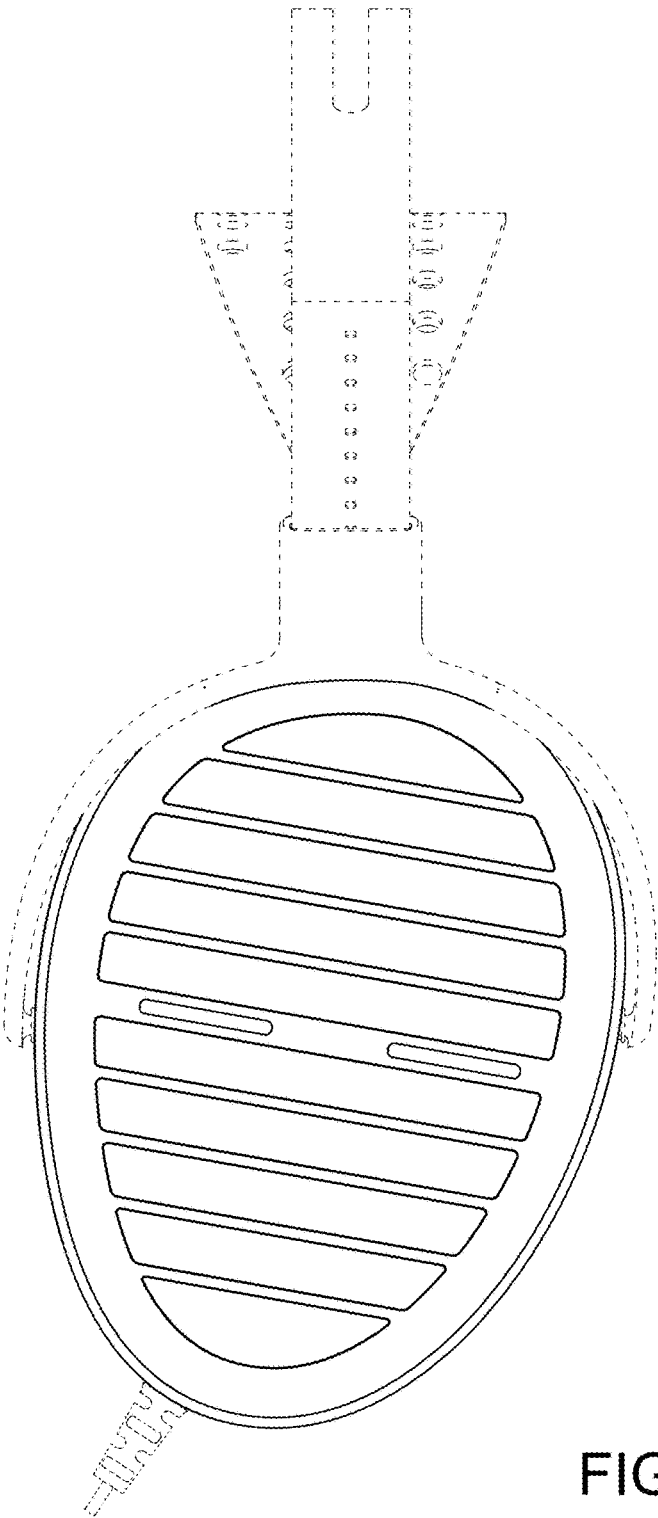


FIG. 6