



US00D676449S

(12) **United States Design Patent**
Probst et al.

(10) **Patent No.:** **US D676,449 S**

(45) **Date of Patent:** **** Feb. 19, 2013**

(54) **TABLET COMPUTER CASE**

(75) Inventors: **Brian Hullinger Probst**, Orem, UT
(US); **David W. Osborne**, Cedar Hills,
UT (US)

(73) Assignee: **CruxCase, LLC**, Orem, UT (US)

(**) Term: **14 Years**

(21) Appl. No.: **29/405,127**

(22) Filed: **Oct. 28, 2011**

(51) **LOC (9) Cl.** **14-02**

(52) **U.S. Cl.** **D14/440**

(58) **Field of Classification Search** D14/250,
D14/251, 253, 240, 217, 496, 440, 203.3,
D14/203.4, 203.5, 203.8, 432, 439, 300;
D3/218, 215, 201; 220/4.02; 248/309.1;
361/679.56, 679.03, 683, 679.09; 379/426,
379/433.11, 455; 455/575.1, 575.8; 190/100;
206/305, 320; 345/173

See application file for complete search history.

(56) **References Cited**

U.S. PATENT DOCUMENTS

4,259,568	A *	3/1981	Dynesen	235/1 D
5,375,076	A *	12/1994	Goodrich et al.	361/679.17
5,383,138	A *	1/1995	Motoyama et al.	361/679.27
5,847,698	A *	12/1998	Reavey et al.	345/173
7,042,712	B2 *	5/2006	Ghosh et al.	361/679.03
7,318,521	B2 *	1/2008	Lau	206/45.24
7,502,225	B2 *	3/2009	Solomon et al.	361/679.41
D611,045	S *	3/2010	Andre et al.	D14/327
D620,001	S *	7/2010	Reed et al.	D14/315
D637,596	S *	5/2011	Akana et al.	D14/341
D652,831	S *	1/2012	Lee et al.	D14/315
8,139,357	B2 *	3/2012	Trang	361/679.59
D659,139	S *	5/2012	Gengler	D14/392
8,201,687	B2 *	6/2012	Zeliff et al.	206/320
8,230,992	B2 *	7/2012	Law et al.	206/320
8,253,595	B2 *	8/2012	Yang et al.	341/20
2001/0009500	A1 *	7/2001	Selker	361/683
2005/0168925	A1	8/2005	Fang et al.		
2006/0044288	A1	3/2006	Nakamura et al.		
2007/0097087	A1	5/2007	Homer et al.		
2008/0225471	A1	9/2008	Takizawa		

2009/0017883	A1 *	1/2009	Lin	455/575.8
2010/0294909	A1 *	11/2010	Hauser et al.	248/456
2011/0199727	A1	8/2011	Probst		
2011/0267757	A1	11/2011	Probst		
2012/0194448	A1 *	8/2012	Rothkopf	345/173

OTHER PUBLICATIONS

U.S. Appl. No. 29/405,037, filed Oct. 27, 2011; Brian Probst.
U.S. Appl. No. 13/283,357, filed Oct. 27, 2011; Brian Probst.
U.S. Appl. No. 13/283,005, filed Oct. 27, 2011; Brian Probst.
U.S. Appl. No. 13/283,067, filed Oct. 27, 2011; Brian Probst.
U.S. Appl. No. 13/283,112, filed Oct. 27, 2011; Brian Probst.
U.S. Appl. No. 13/283,148, filed Oct. 27, 2011; Brian Probst.
PCT Application PCT/US2011/034405; filing date Apr. 28, 2011;
Brian Probst; International Search Report mailed Dec. 20, 2011.

* cited by examiner

Primary Examiner — Cynthia Underwood

(74) *Attorney, Agent, or Firm* — Thorpe North & Westwood LLP

(57) **CLAIM**

What is claimed is the ornamental design for a tablet computer case, as shown and described herein.

DESCRIPTION

FIG. 1 is a top front perspective view of the invention with a windowed tablet panel articulated into a raised and slightly inclined orientation and a closure panel oriented in a direction in back of the tablet panel;

FIG. 2 is a top view thereof;

FIG. 3 is a bottom view thereof;

FIG. 4 is a back view thereof;

FIG. 5 is a front view thereof;

FIG. 6 is a right side view thereof, the left side being a mirror image;

FIG. 7 is a top front perspective view of the invention with a windowed tablet panel articulated into lowered orientation and closed against the a closure panel;

FIG. 8 is a back end view thereof;

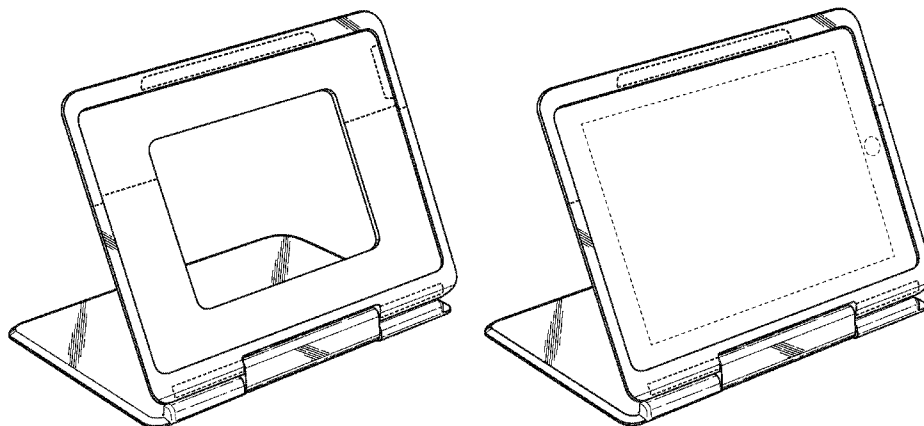
FIG. 9 front end view thereof;

FIG. 10 is a left side view thereof; and,

FIG. 11 is the same view of the invention as in FIG. 1, but with an unclaimed tablet computer inserted into the tablet panel portion of the tablet computer case illustrating an environment of use.

The broken line showing is for illustrative purposes only and forms no part of the claimed design.

1 Claim, 8 Drawing Sheets



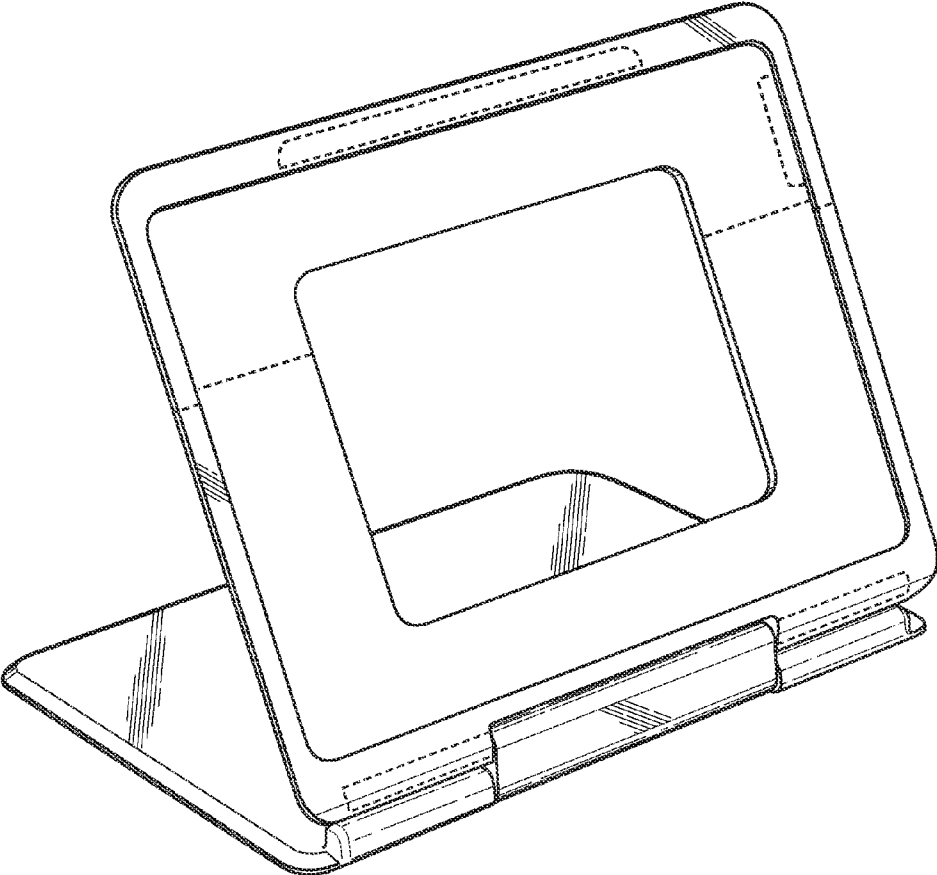


Fig. 1

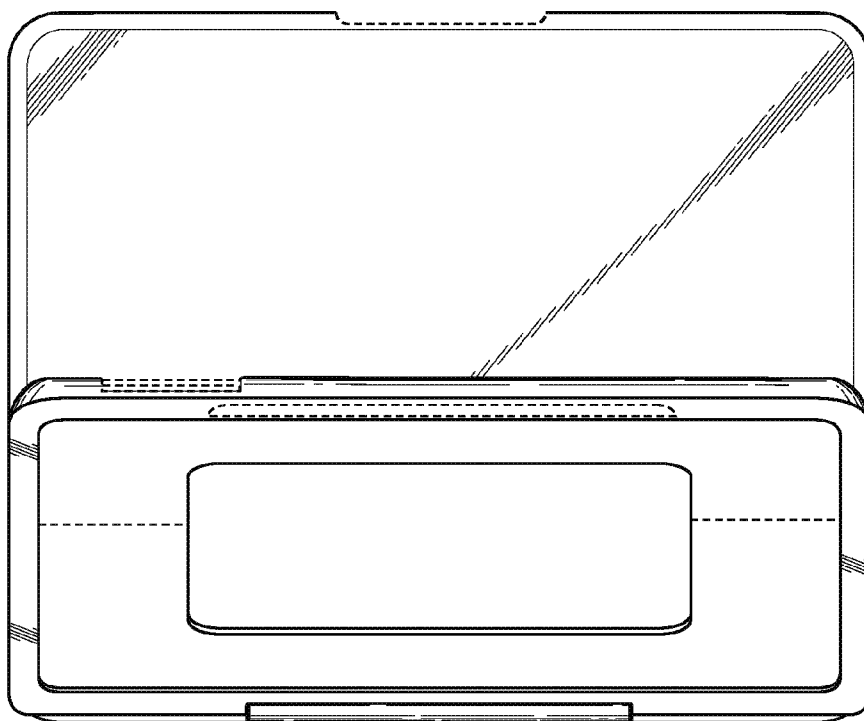


Fig. 2

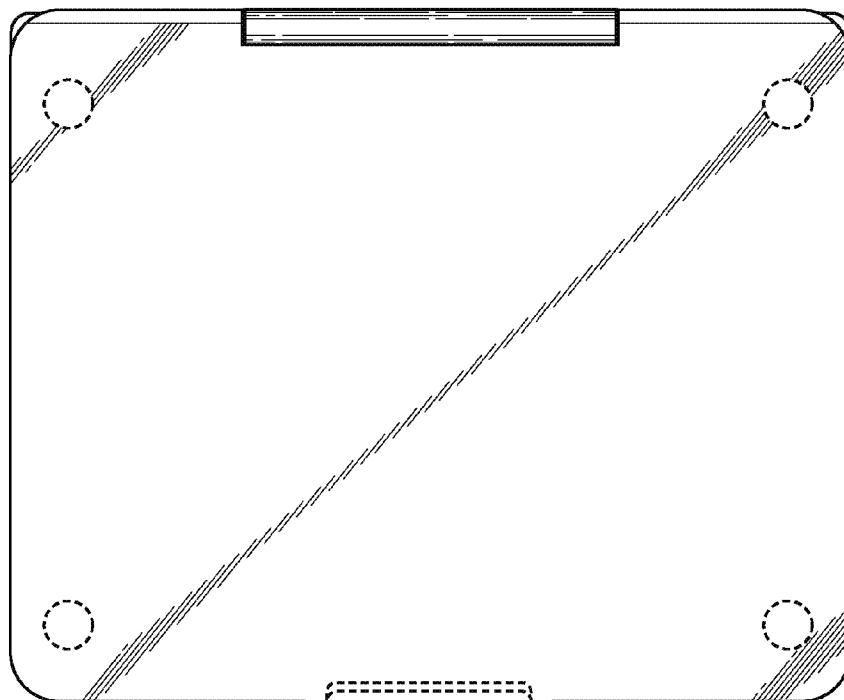


Fig. 3

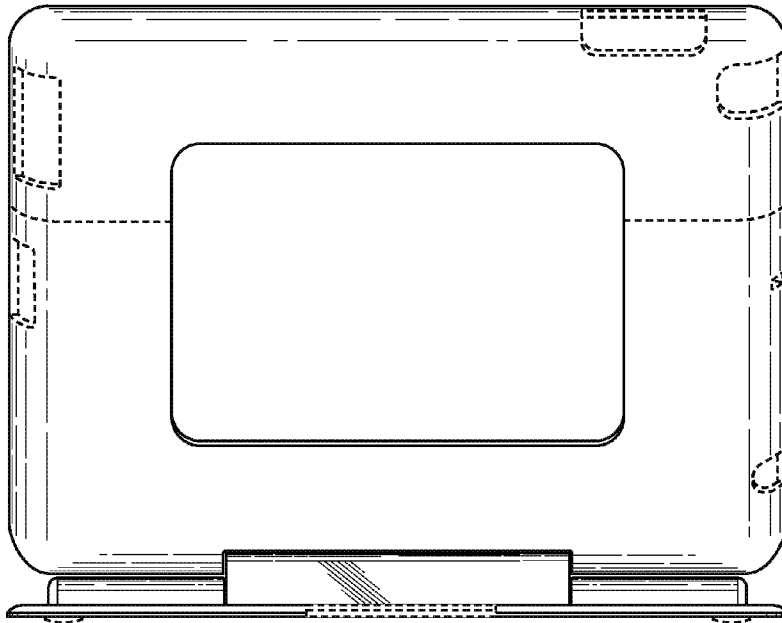


Fig. 4

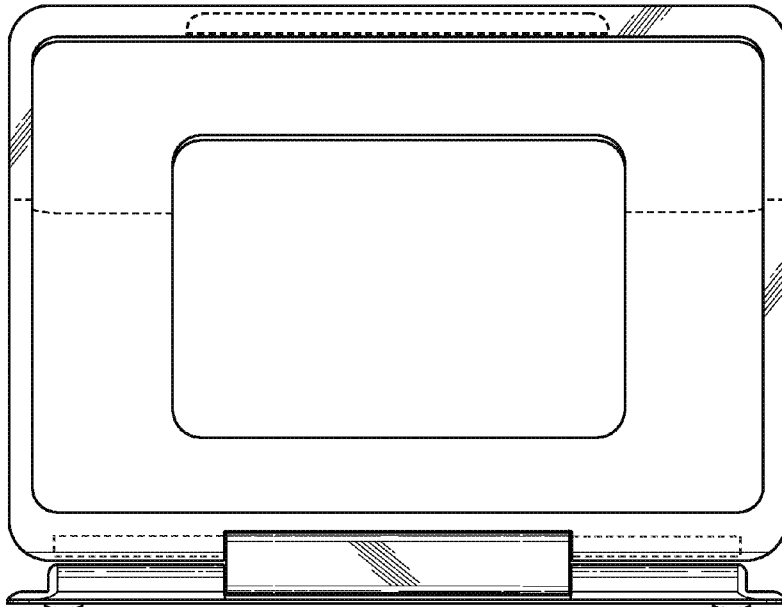


Fig. 5

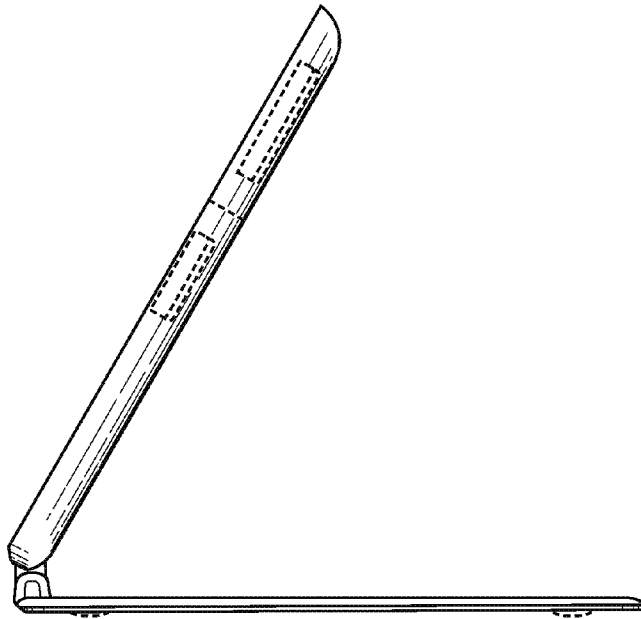


Fig. 6

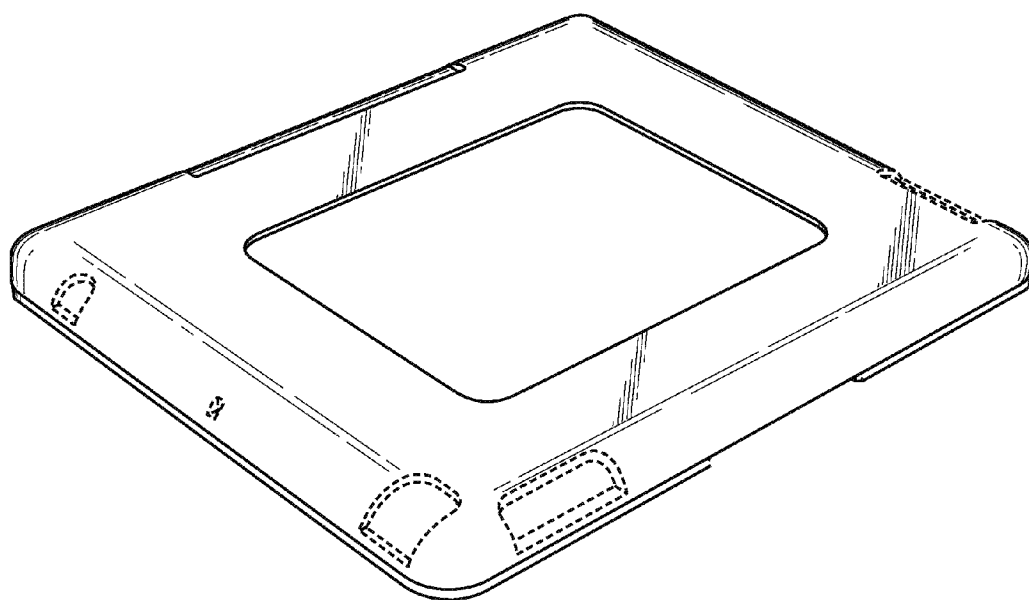


Fig. 7



Fig. 8



Fig. 9



Fig. 10

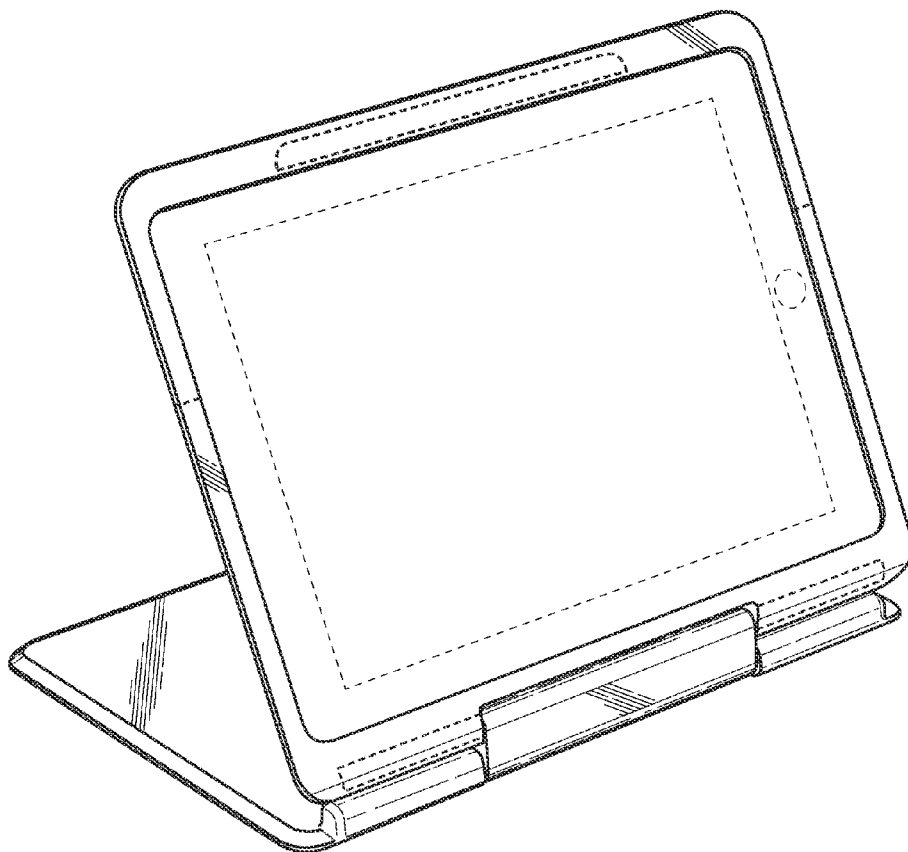


Fig. 11