



US00D554212S

(12) **United States Design Patent**  
**Nunez et al.**

(10) **Patent No.:** **US D554,212 S**

(45) **Date of Patent:** **\*\* Oct. 30, 2007**

(54) **GOLF CLUB HEAD**

D539,862 S \* 4/2007 Nunez et al. .... D21/748  
D539,863 S \* 4/2007 Nunez et al. .... D21/748

(75) Inventors: **Robert Nunez**, San Pedro, CA (US);  
**Craig Kevin Barez**, Temecula, CA  
(US); **Marni Ines**, San Marcos, CA  
(US); **Michael Walker**, Vista, CA (US);  
**Jose Mirafior**, Oceanside, CA (US)

\* cited by examiner

*Primary Examiner*—Mitchell Siegel  
(74) *Attorney, Agent, or Firm*—Klarquist Sparkman, LLP

(73) Assignee: **Taylor Made Golf Company, Inc.**,  
Carlsbad, CA (US)

(57) **CLAIM**

We claim the ornamental design for a golf club head, as shown and described.

(\*\*) Term: **14 Years**

**DESCRIPTION**

(21) Appl. No.: **29/267,550**

FIG. 1 is a perspective view of a golf club head, as viewed from the rear and one side thereof, according to one embodiment.

(22) Filed: **Oct. 16, 2006**

(51) **LOC (8) Cl.** ..... **21-02**

FIG. 2 is a rear elevation view of the golf club head of FIG. 1.

(52) **U.S. Cl.** ..... **D21/747**

(58) **Field of Classification Search** ..... D21/747–751;  
473/324–331, 350

FIG. 3 is a top plan view of the golf club head of FIG. 1.

See application file for complete search history.

FIG. 4 is a front elevation view of the golf club head of FIG. 1.

(56) **References Cited**

FIG. 5 is a bottom plan view of the golf club head of FIG. 1.

**U.S. PATENT DOCUMENTS**

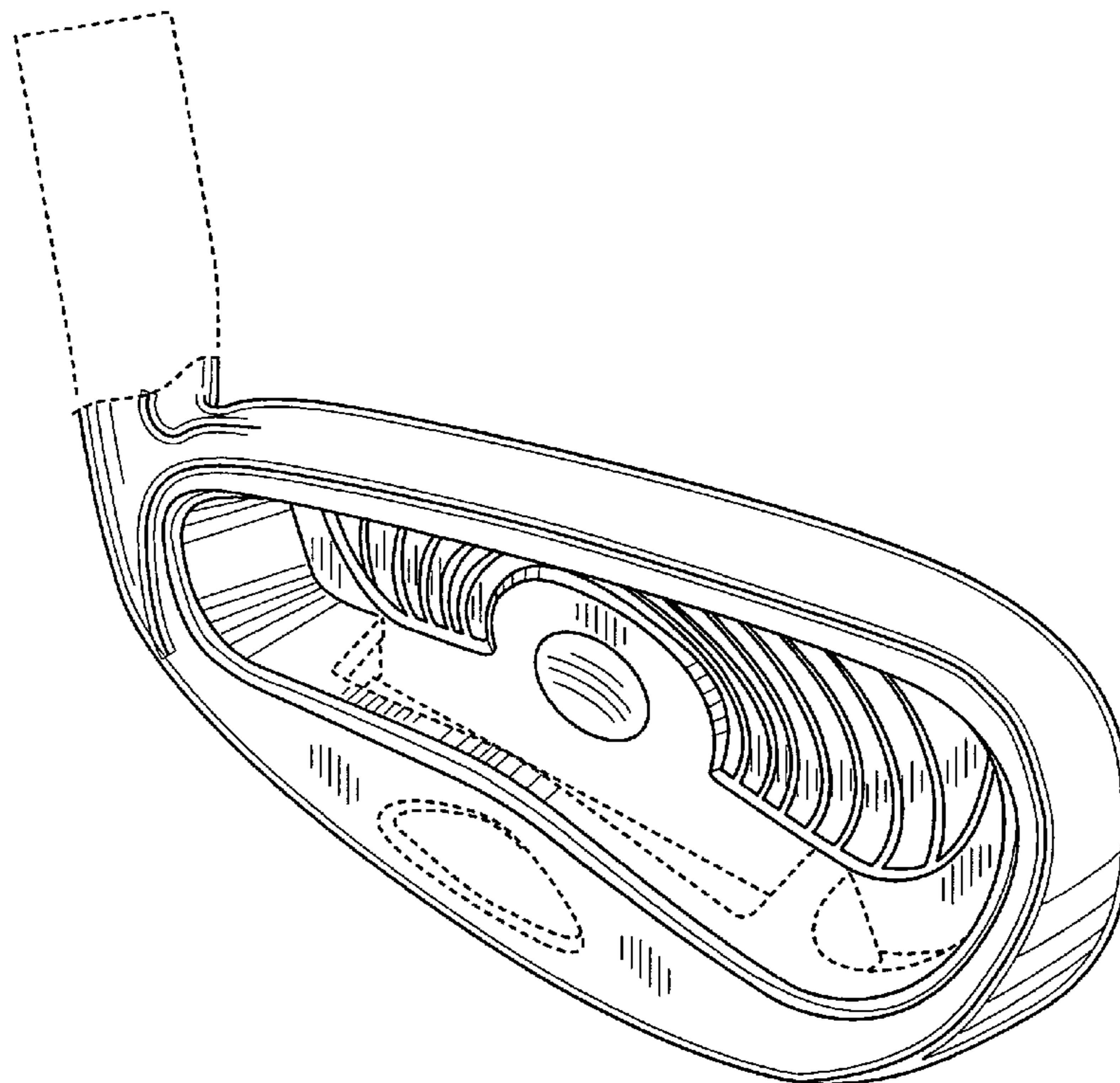
D406,294 S *	3/1999	Burrows	.....	D21/748
D411,272 S *	6/1999	Burrows	.....	D21/748
D429,298 S *	8/2000	Butler	.....	D21/747
D445,157 S	7/2001	Jones et al.		
D476,708 S	7/2003	Wahl et al.		
D490,129 S *	5/2004	Greene	.....	D21/748
D491,620 S *	6/2004	Nishitani	.....	D21/747
D497,963 S	11/2004	Toulon et al.		
D534,595 S *	1/2007	Hasebe	.....	D21/747

FIG. 6 is a side elevation view of the toe of the golf club head of FIG. 1; and,

FIG. 7 is a side elevation view of the heel of the golf club head of FIG. 1.

The dashed lines in the drawings are for illustrative purpose only and form no part of the claimed design.

**1 Claim, 3 Drawing Sheets**



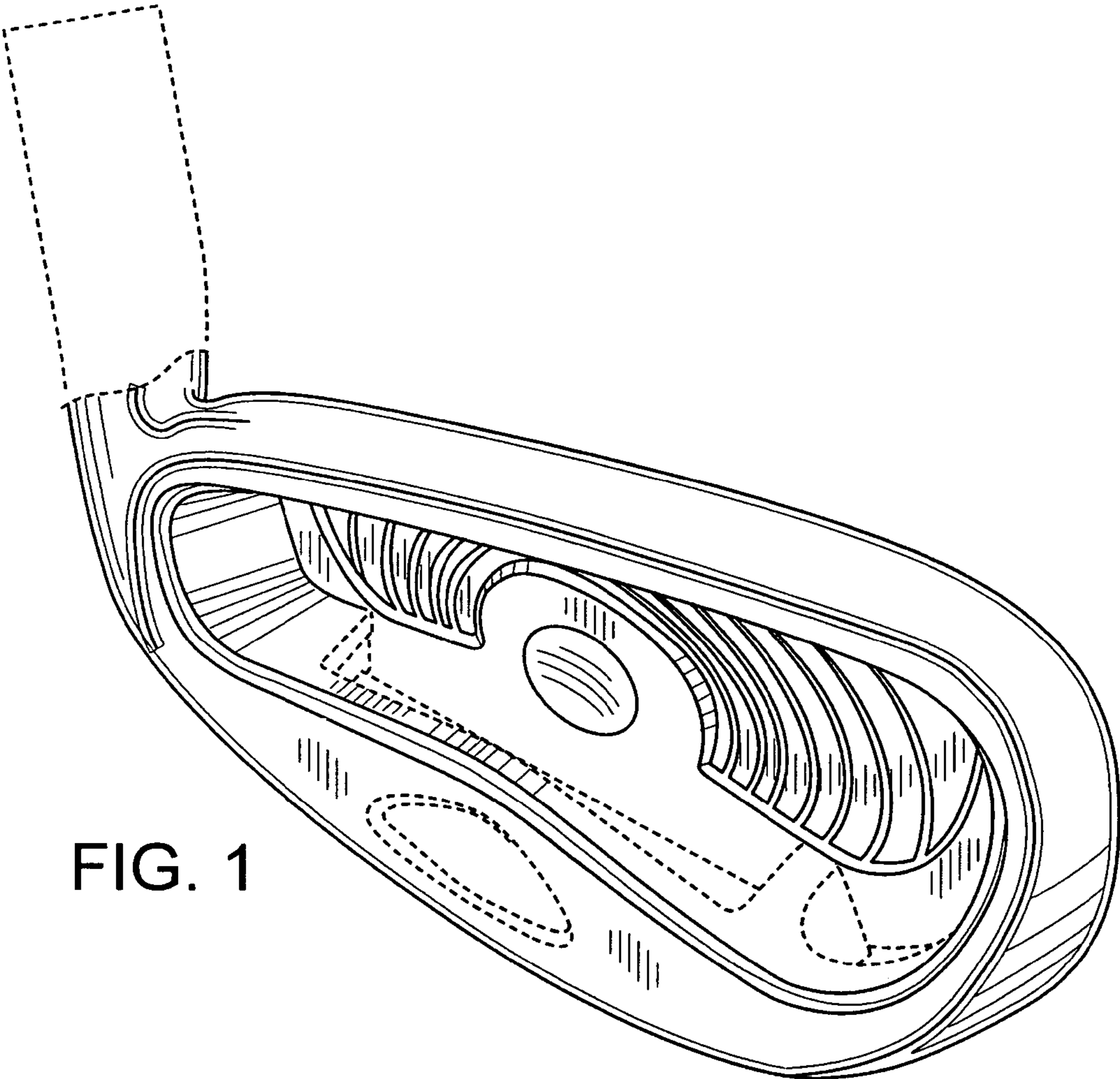


FIG. 1

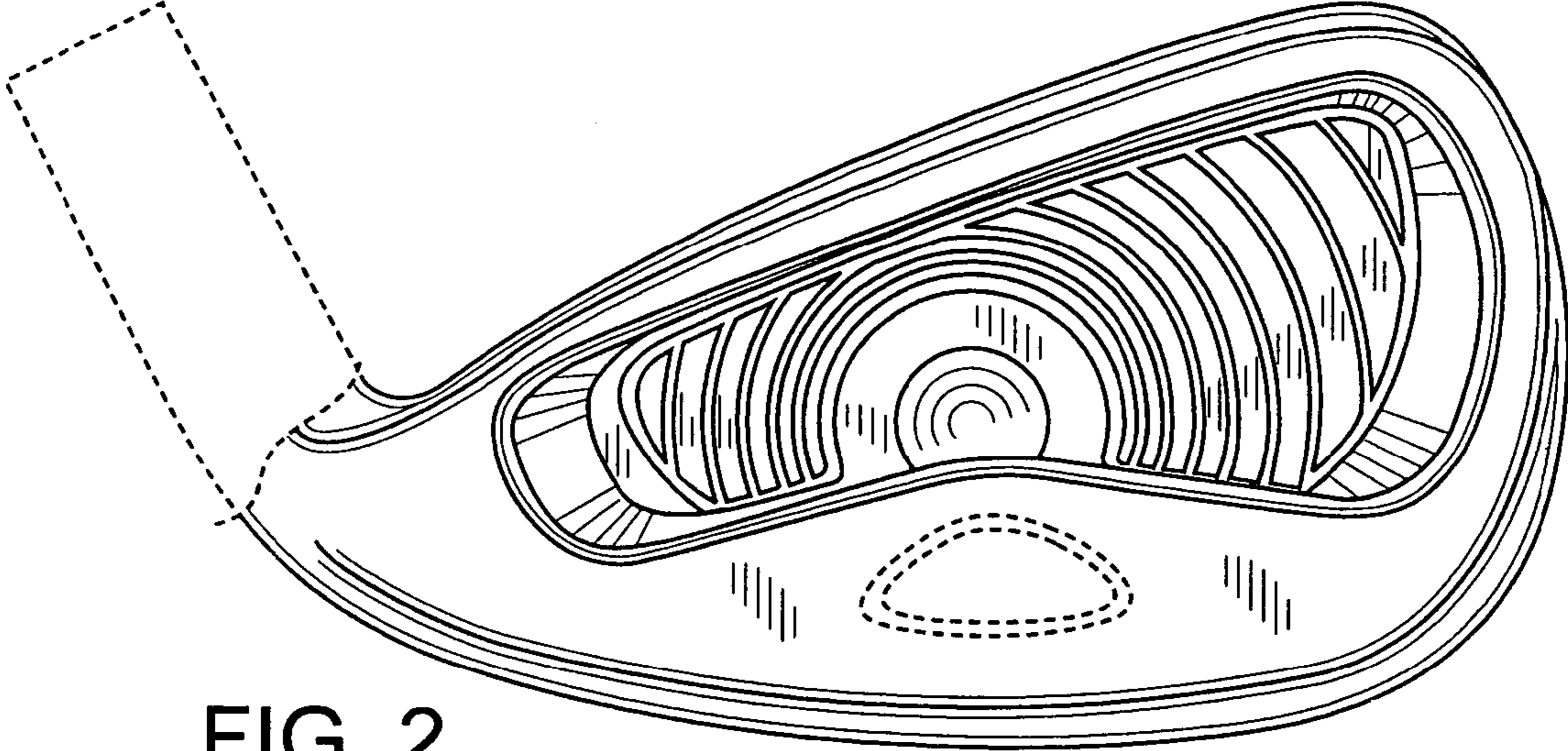


FIG. 2

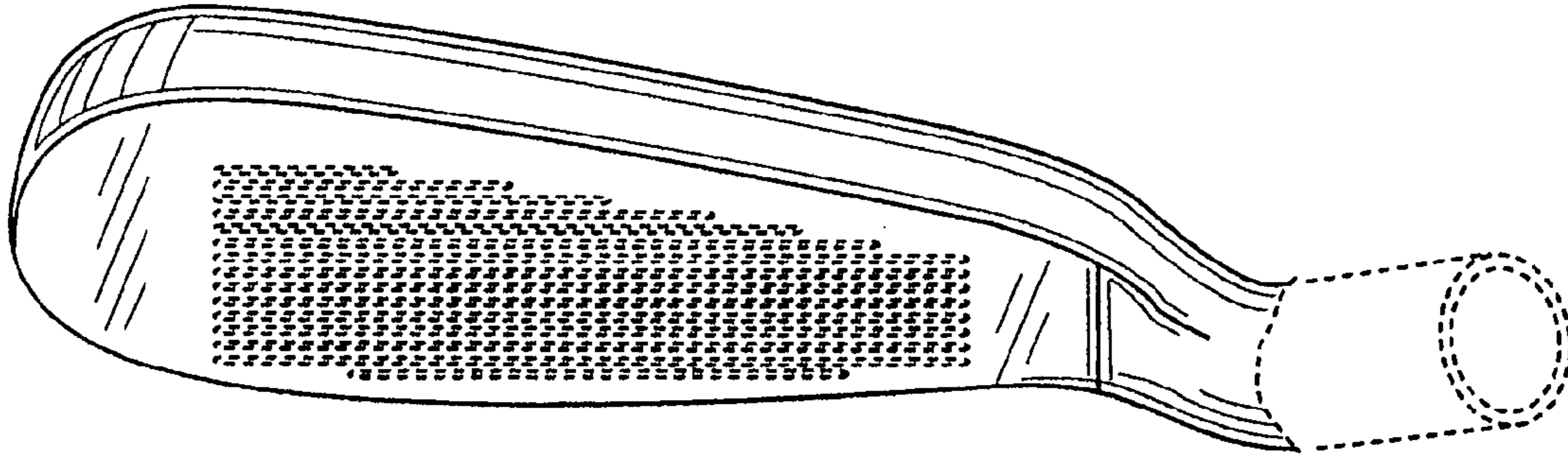


FIG. 3

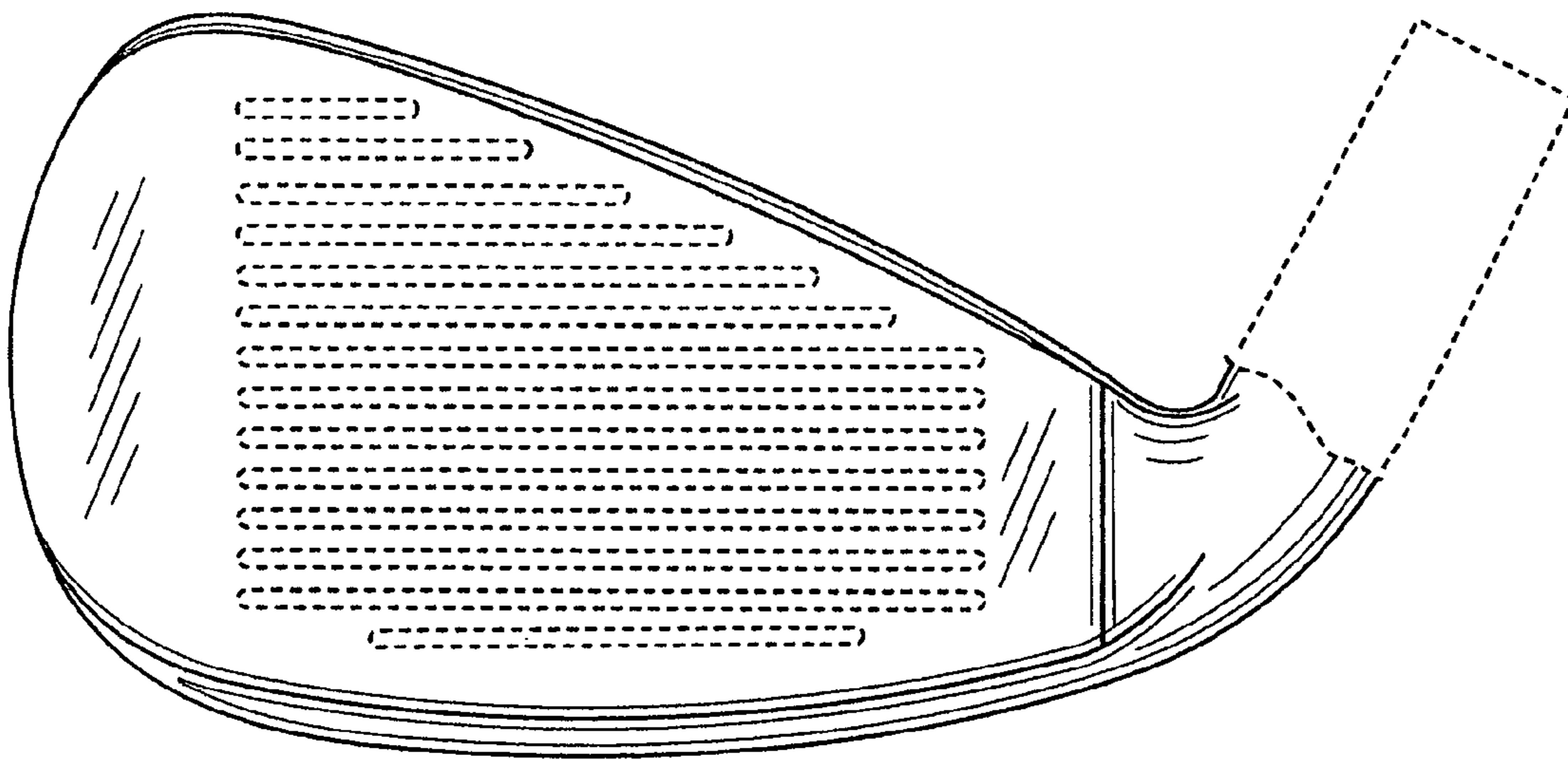


FIG. 4

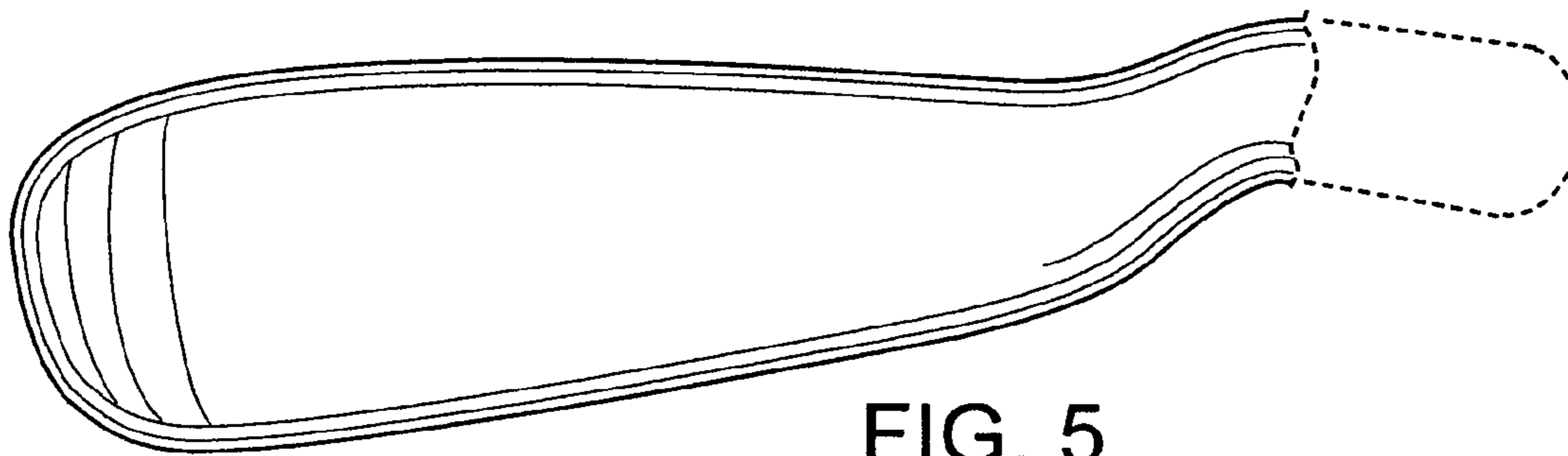


FIG. 5

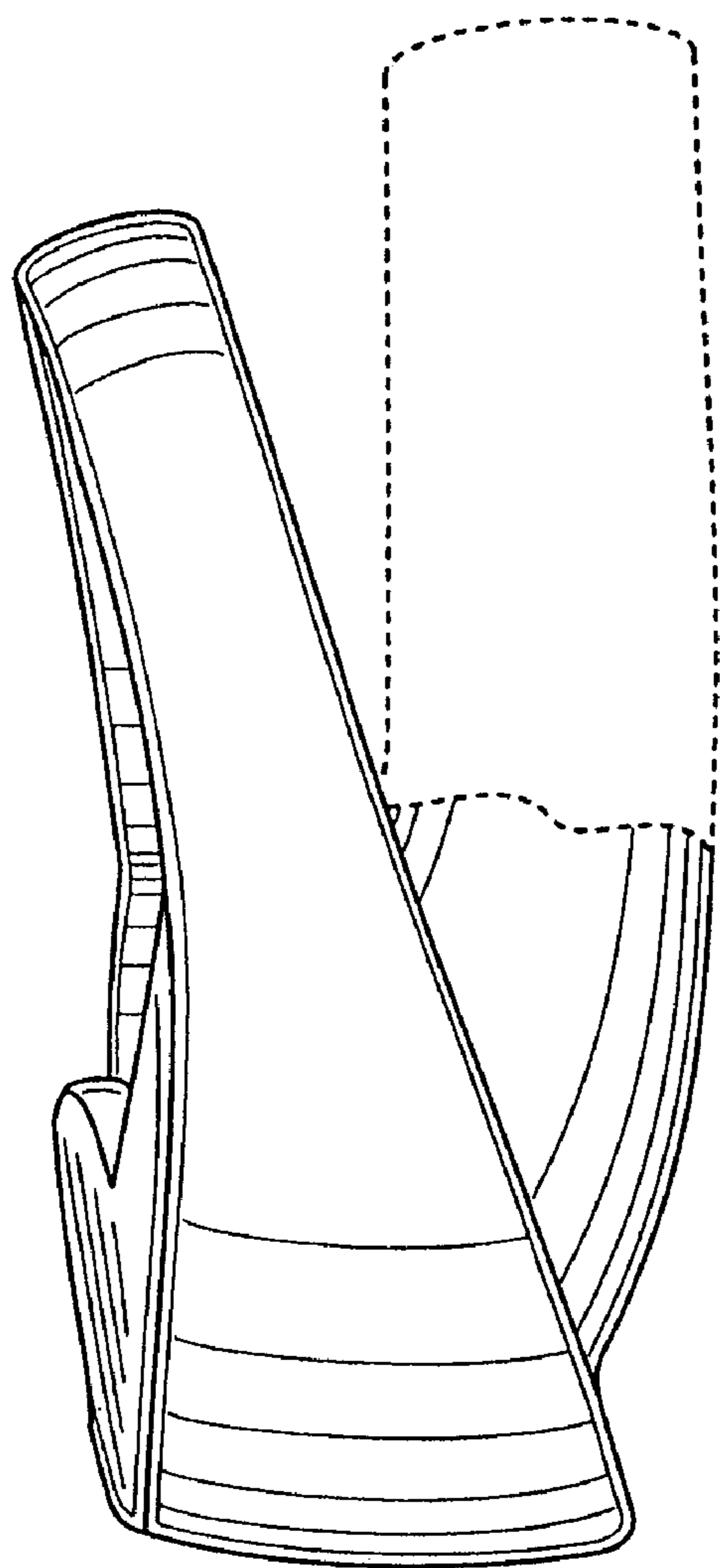


FIG. 6

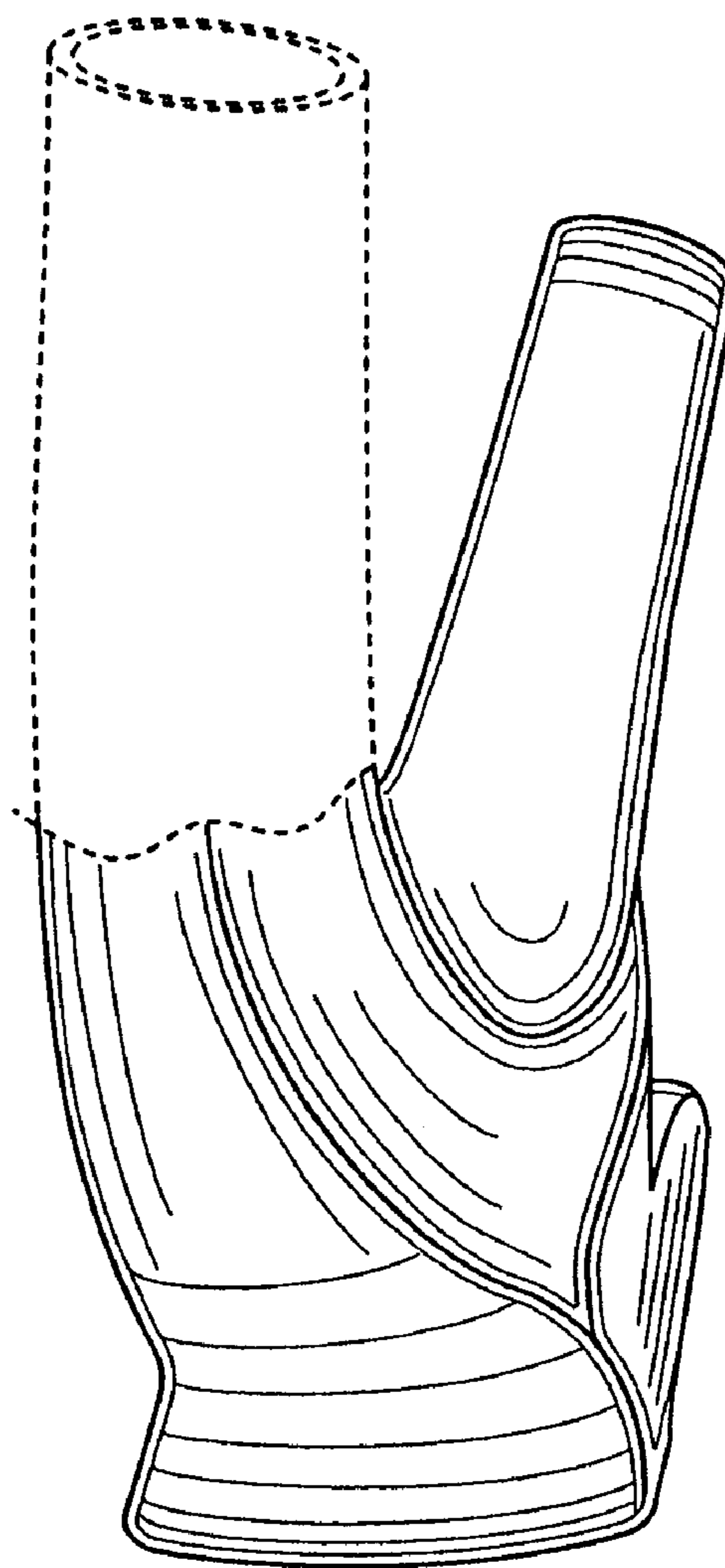


FIG. 7