

(19) World Intellectual Property Organization
International Bureau



(43) International Publication Date
27 April 2006 (27.04.2006)

PCT

(10) International Publication Number
WO 2006/044027 A3

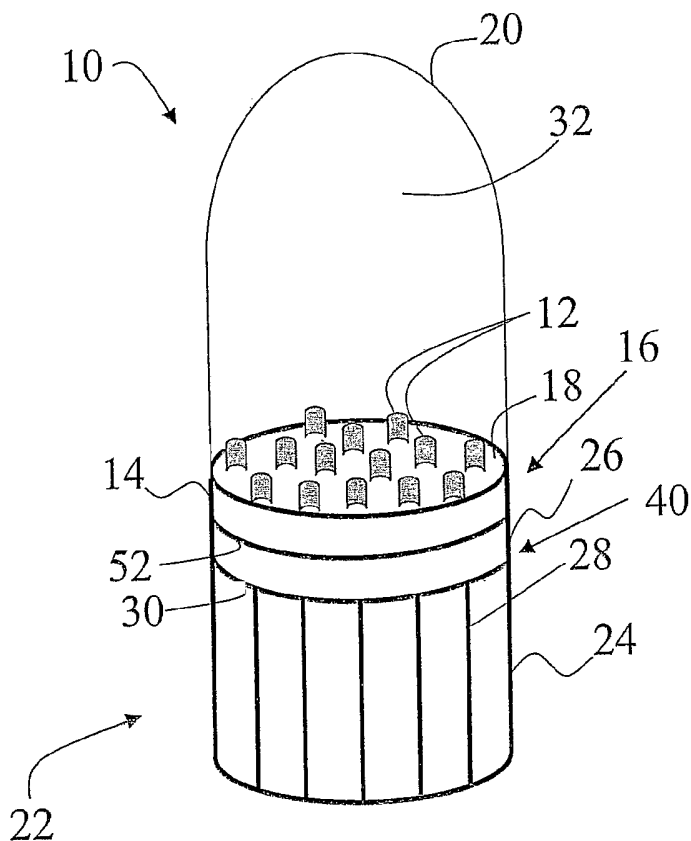
- (51) International Patent Classification:
H01L 23/34 (2006.01) H01L 33/00 (2006.01)
- (21) International Application Number:
PCT/US2005/029767
- (22) International Filing Date: 23 August 2005 (23.08.2005)
- (25) Filing Language: English
- (26) Publication Language: English
- (30) Priority Data:
10/962,947 12 October 2004 (12.10.2004) US
- (71) Applicant (for all designated States except US): GEL-CORE LLC [US/US]; 6180 Halle Drive, Valley View, OH 44125-4635 (US).
- (72) Inventor; and
- (75) Inventor/Applicant (for US only): PETROSKI, James [US/US]; 2688 Sherwood Drive, Parma, OH 44134 (US).
- (74) Agent: MCCOLLISTER, Scott, A.; Fay, Sharpe, Fagan, Minnich & McKee, LLP, 1100 Superior Avenue, 7th Floor, Cleveland, OH 44114-2579 (US).

- (81) Designated States (unless otherwise indicated, for every kind of national protection available): AE, AG, AL, AM, AT, AU, AZ, BA, BB, BG, BR, BW, BY, BZ, CA, CH, CN, CO, CR, CU, CZ, DE, DK, DM, DZ, EC, EE, EG, ES, FI, GB, GD, GE, GH, GM, HR, HU, ID, IL, IN, IS, JP, KE, KG, KM, KP, KR, KZ, LC, LK, LR, LS, LT, LU, LV, MA, MD, MG, MK, MN, MW, MX, MZ, NA, NG, NI, NO, NZ, OM, PG, PH, PL, PT, RO, RU, SC, SD, SE, SG, SK, SL, SM, SY, TJ, TM, TN, TR, TT, TZ, UA, UG, US, UZ, VC, VN, YU, ZA, ZM, ZW.
- (84) Designated States (unless otherwise indicated, for every kind of regional protection available): ARIPO (BW, GH, GM, KE, LS, MW, MZ, NA, SD, SL, SZ, TZ, UG, ZM, ZW), Eurasian (AM, AZ, BY, KG, KZ, MD, RU, TJ, TM), European (AT, BE, BG, CH, CY, CZ, DE, DK, EE, ES, FI, FR, GB, GR, HU, IE, IS, IT, LT, LU, LV, MC, NL, PL, PT, RO, SE, SI, SK, TR), OAPI (BF, BJ, CF, CG, CI, CM, GA, GN, GQ, GW, ML, MR, NE, SN, TD, TG).

Published:
— with international search report

[Continued on next page]

(54) Title: MAGNETIC ATTACHMENT METHOD FOR LED LIGHT ENGINES



(57) Abstract: A light engine (16) includes at least one LED (12) for generating light of one of a plurality of wavelengths. The LED (12) is disposed on the magnetic core printed circuit board (14). A heatsink (26) is disposed in thermal communication with a base (24) and the LED (12) for conducting thermal energy away from the LED (12). The light engine (16) is magnetically attached to the heatsink (26) via a magnet (50) which is attached to the heatsink (26) to create that a magnetic force between the magnetic core board (14) and the heatsink (26).

WO 2006/044027 A3



(88) Date of publication of the international search report:

6 July 2006

For two-letter codes and other abbreviations, refer to the "Guidance Notes on Codes and Abbreviations" appearing at the beginning of each regular issue of the PCT Gazette.

INTERNATIONAL SEARCH REPORT

International application No.

PCT/US05/29767

A. CLASSIFICATION OF SUBJECT MATTER
 IPC: **H01L 23/34(2006.01),33/00(2006.01)**

 USPC: **257/79,99,706,712**
 According to International Patent Classification (IPC) or to both national classification and IPC

B. FIELDS SEARCHED

Minimum documentation searched (classification system followed by classification symbols)
 U.S. : 257/79,99,706,712,81,82,88,98,707; 138/122,125

Documentation searched other than minimum documentation to the extent that such documents are included in the fields searched
 NONE

Electronic data base consulted during the international search (name of data base and, where practicable, search terms used)
 NONE

C. DOCUMENTS CONSIDERED TO BE RELEVANT

Category *	Citation of document, with indication, where appropriate, of the relevant passages	Relevant to claim No.
A	US 2001/0004131 A1 (MASAYUKI et al.) 21 June 2001 (21.06.2001), see entire document.	1-15
A	US 5,771,154 A (GOODMAN et al.) 23 June 1998 (23.06.1998), see entire document.	1-15
A	US 5,447,886 A (RAI) 08 September 1995 (08.09.1995), see entire document.	1-15
A	US 3,612,955 A (BUTHERUS et al.) 12 October 1971 (12.10.1971), see entire document.	1-15
A,P	US 6,897,486 B2 (LOH) 24 May 2005 (24.05.2005), see entire document.	1-15
A,P	US 2005/0050569 A1 (YAMANAKA et al.) 03 March 2005 (03.03.2005), see entire document.	1-15

Further documents are listed in the continuation of Box C. See patent family annex.

* Special categories of cited documents:		
"A" document defining the general state of the art which is not considered to be of particular relevance	"T"	later document published after the international filing date or priority date and not in conflict with the application but cited to understand the principle or theory underlying the invention
"E" earlier application or patent published on or after the international filing date	"X"	document of particular relevance; the claimed invention cannot be considered novel or cannot be considered to involve an inventive step when the document is taken alone
"L" document which may throw doubts on priority claim(s) or which is cited to establish the publication date of another citation or other special reason (as specified)	"Y"	document of particular relevance; the claimed invention cannot be considered to involve an inventive step when the document is combined with one or more other such documents, such combination being obvious to a person skilled in the art
"O" document referring to an oral disclosure, use, exhibition or other means		
"P" document published prior to the international filing date but later than the priority date claimed	"&"	document member of the same patent family

Date of the actual completion of the international search
 30 March 2006 (30.03.2006)

Date of mailing of the international search report
07 APR 2006

Name and mailing address of the ISA/US
 Mail Stop PCT, Attn: ISA/US
 Commissioner for Patents
 P.O. Box 1450
 Alexandria, Virginia 22313-1450
 Facsimile No. (571) 273-3201

Authorized officer
 JOSE DEES *Sharon S. Hoppe*
 Telephone No. 571-272-1569