



(12) **United States Design Patent**  
**Liu et al.**

(10) **Patent No.:** **US D817,933 S**  
(45) **Date of Patent:** **\*\* May 15, 2018**

- (54) **EARPHONE**
- (71) Applicants: **IMORE INC.**, Shenzhen, Guangdong (CN); **BEIJING XIAOMI MOBILE SOFTWARE CO., LTD.**, Beijing (CN)
- (72) Inventors: **Hang Liu**, Guangdong (CN); **Shichen Xu**, Guangdong (CN); **Yonghui Hu**, Guangdong (CN); **Tianlei Wang**, Guangdong (CN)
- (73) Assignees: **IMORE INC.**, Shenzhen, Guangdong (CN); **BEIJING XIAOMI MOBILE SOFTWARE CO., LTD.**, Beijing (CN)
- (\*\*) Term: **15 Years**
- (21) Appl. No.: **29/597,031**
- (22) Filed: **Mar. 14, 2017**
- (30) **Foreign Application Priority Data**

Oct. 10, 2016 (CN) ..... 2016 3 0497603

- (51) **LOC (11) Cl.** ..... **14-01**
- (52) **U.S. Cl.** ..... **D14/223**

- (58) **Field of Classification Search**
- USPC ..... D14/223, 205; 181/129, 130, 135; 379/430, 431; 381/380, 381, 370, 374, 381/328, 384; 455/90.3, 575.1, 569.1
- CPC ..... H04R 1/10; H04R 25/00; H04R 25/02; H04R 1/1066; H04R 1/1016; H04R 1/105; H04R 1/1058; H04R 5/0335; H04R 5/033

See application file for complete search history.

(56) **References Cited**

**U.S. PATENT DOCUMENTS**

- 4,588,867 A \* 5/1986 Konomi ..... H04R 1/46 379/430
- 4,972,492 A \* 11/1990 Tanaka ..... H04R 1/1016 181/130

- D431,553 S \* 10/2000 Suzuki ..... D14/223
- 6,574,345 B1 \* 6/2003 Huang ..... H04R 1/1016 379/430
- D539,268 S \* 3/2007 Suzuki ..... D14/206
- D554,627 S \* 11/2007 Gondo ..... D14/223
- D566,099 S \* 4/2008 Komiyama ..... D14/206
- D567,217 S \* 4/2008 Kamo ..... D14/205
- D572,703 S \* 7/2008 Ledbetter ..... D14/205
- D574,361 S \* 8/2008 Sasaki ..... D14/205
- D587,685 S \* 3/2009 Densho ..... D14/206
- D589,493 S \* 3/2009 Densho ..... D14/206
- D598,894 S \* 8/2009 Masuda ..... D14/205
- D605,182 S \* 12/2009 Fagnot ..... D14/223
- D623,630 S \* 9/2010 Ohori ..... D14/223
- D627,764 S \* 11/2010 Tsai ..... D14/223
- D628,564 S \* 12/2010 Chong ..... D14/223
- D629,395 S \* 12/2010 Lee ..... D14/223
- D633,086 S \* 2/2011 Chen ..... D14/223
- D637,181 S \* 5/2011 Fuller ..... D14/223
- D639,282 S \* 6/2011 Ohori ..... D14/223

(Continued)

*Primary Examiner* — Paula Allen Greene

(74) *Attorney, Agent, or Firm* — Ladas & Parry LLP

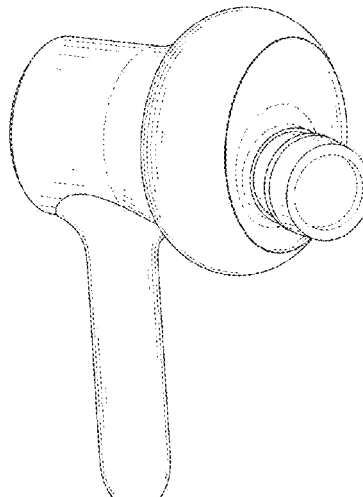
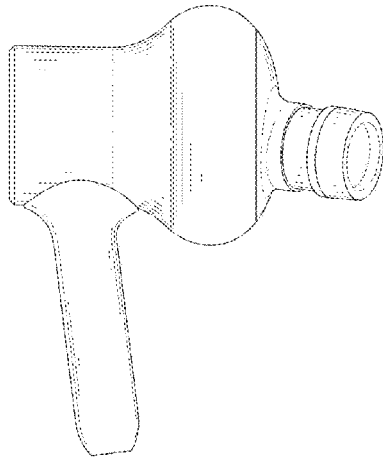
(57) **CLAIM**

The ornamental design for an earphone, as shown and described.

**DESCRIPTION**

FIG. 1 is a front elevational view of an earphone showing our new design;  
 FIG. 2 is a rear elevational view thereof;  
 FIG. 3 is a left side elevational view thereof;  
 FIG. 4 is a right side elevational view thereof;  
 FIG. 5 is a top plan view thereof;  
 FIG. 6 is a bottom plan view thereof;  
 FIG. 7 is a perspective view thereof; and,  
 FIG. 8 is another perspective view thereof.  
 The broken lines form no part of the claimed design.

**1 Claim, 8 Drawing Sheets**



(56)

**References Cited**

## U.S. PATENT DOCUMENTS

D660,290 S \* 5/2012 Weedon ..... D14/223  
D678,251 S \* 3/2013 Cantoni ..... D14/223  
D679,267 S \* 4/2013 Lee ..... D14/223  
D680,102 S \* 4/2013 Chen ..... D14/223  
8,422,717 B2\* 4/2013 Lin ..... H04R 1/1091  
181/129  
8,712,087 B2\* 4/2014 Ozawa ..... H04R 1/345  
181/130  
D710,334 S \* 8/2014 Yang ..... D14/223  
D729,775 S \* 5/2015 Seo ..... D14/205  
D732,508 S \* 6/2015 Funayama ..... D14/223  
D733,101 S \* 6/2015 Pi ..... D14/223  
D733,689 S \* 7/2015 Narita ..... D14/223  
D735,697 S \* 8/2015 Petersen ..... D14/223  
D738,864 S \* 9/2015 Lee ..... D14/223  
D746,268 S \* 12/2015 Karayiannis ..... D14/223  
D757,682 S \* 5/2016 Perez ..... D14/205  
D772,844 S \* 11/2016 Ott ..... D14/205  
D775,108 S \* 12/2016 Hsieh ..... D14/223  
D780,155 S \* 2/2017 Levine ..... D14/205  
D798,844 S \* 10/2017 Nokuo ..... D14/223  
2011/0142276 A1\* 6/2011 Uchida ..... H04R 1/1075  
381/370  
2012/0057738 A1\* 3/2012 Lin ..... H04R 1/1091  
381/370  
2012/0155692 A1\* 6/2012 Chen ..... H04R 1/1058  
381/380  
2013/0170692 A1\* 7/2013 Kaneko ..... H04R 1/1016  
381/380

\* cited by examiner

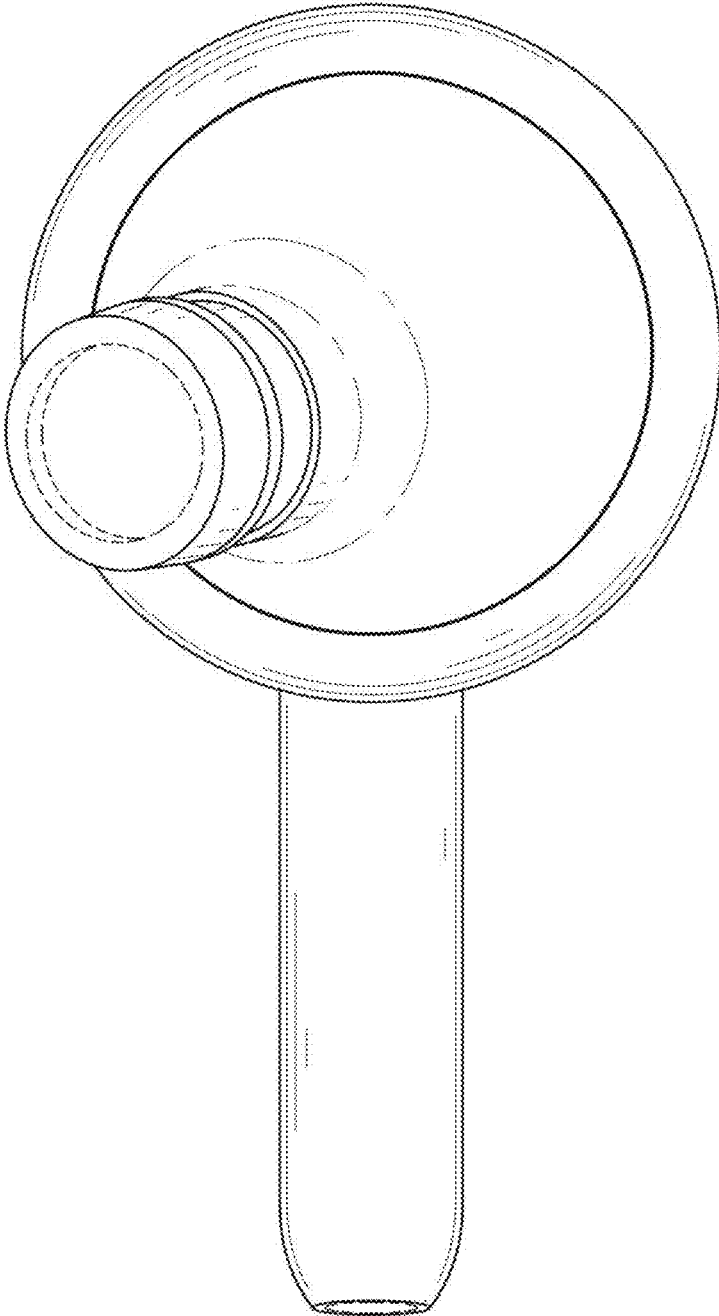


FIG. 1

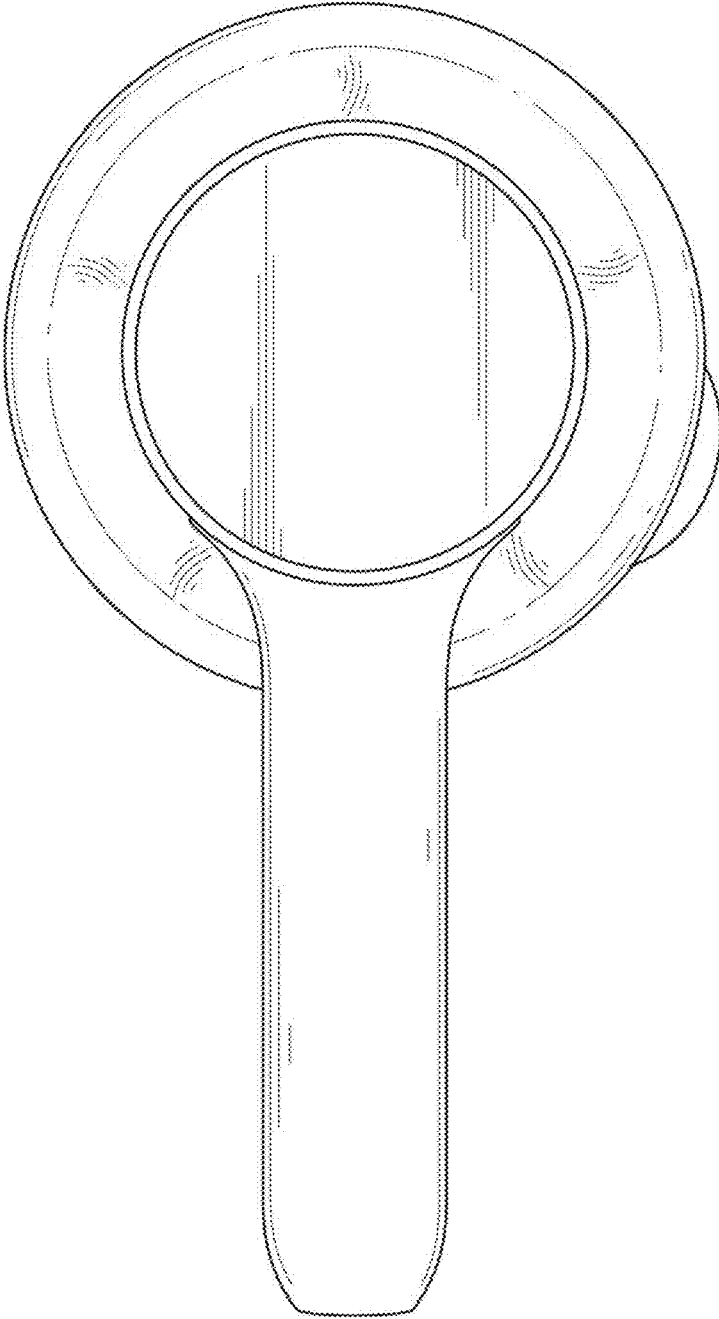


FIG. 2

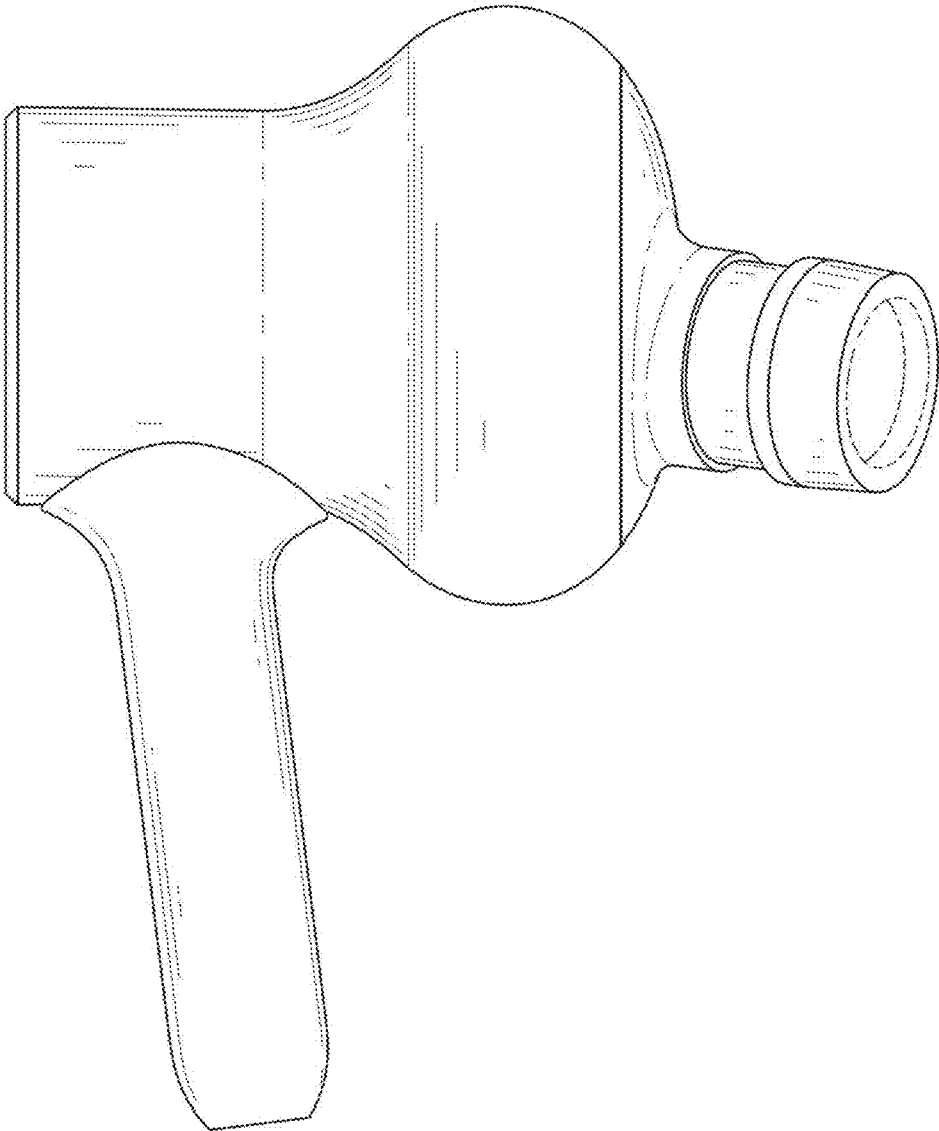


FIG. 3

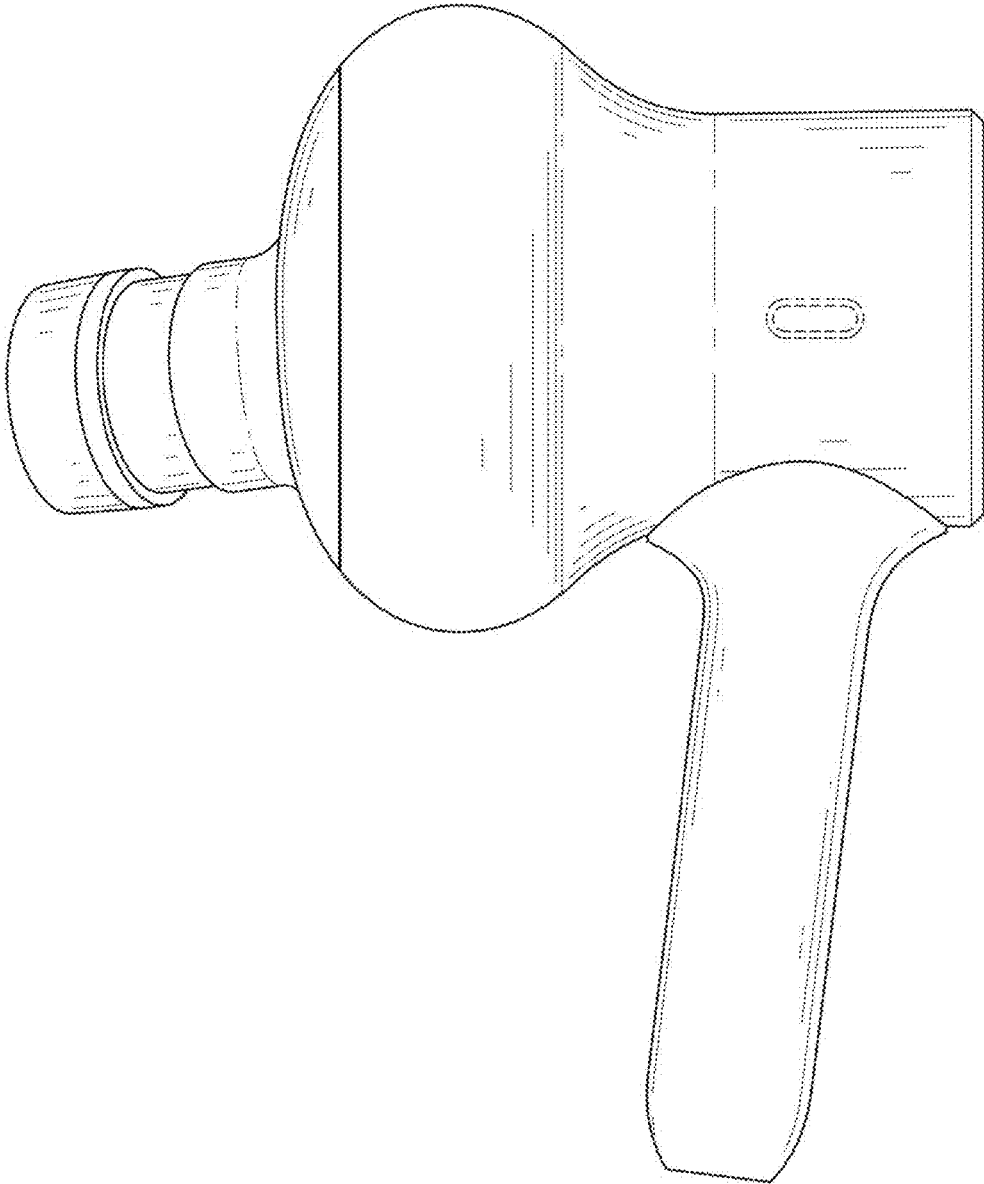


FIG. 4

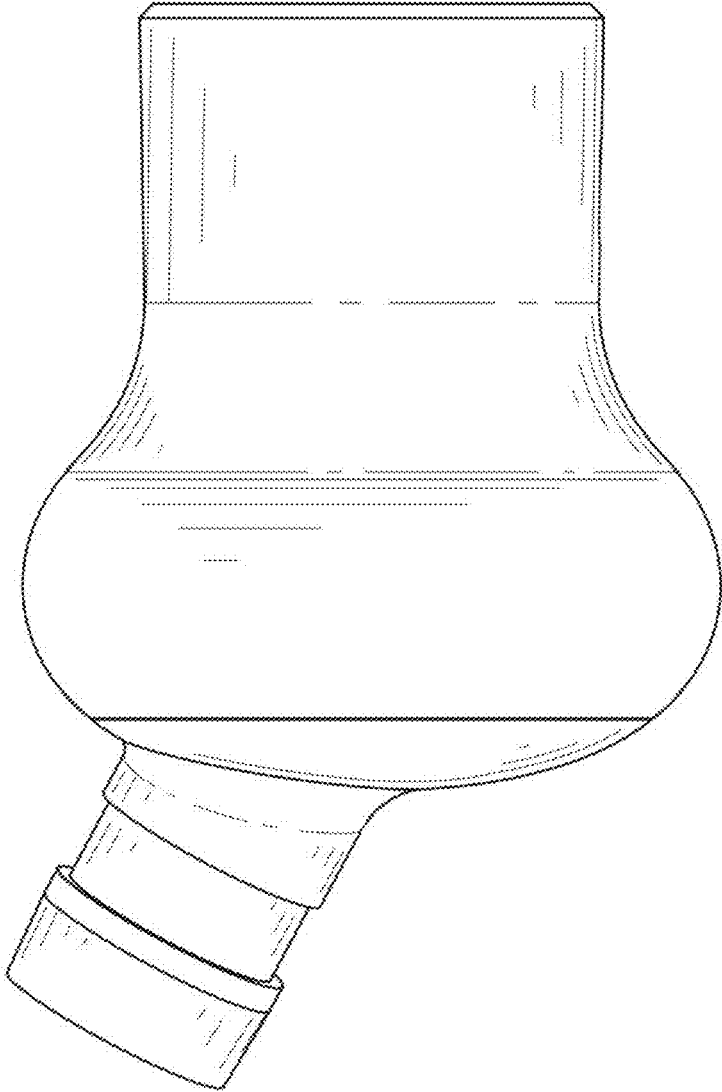


FIG. 5

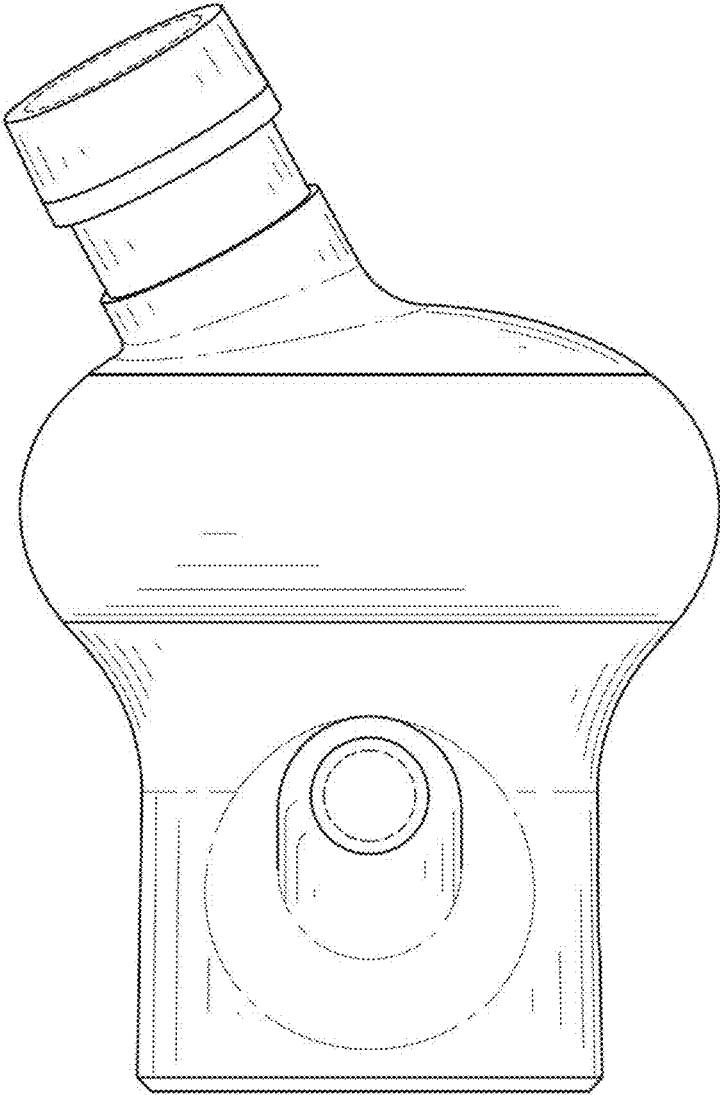


FIG. 6



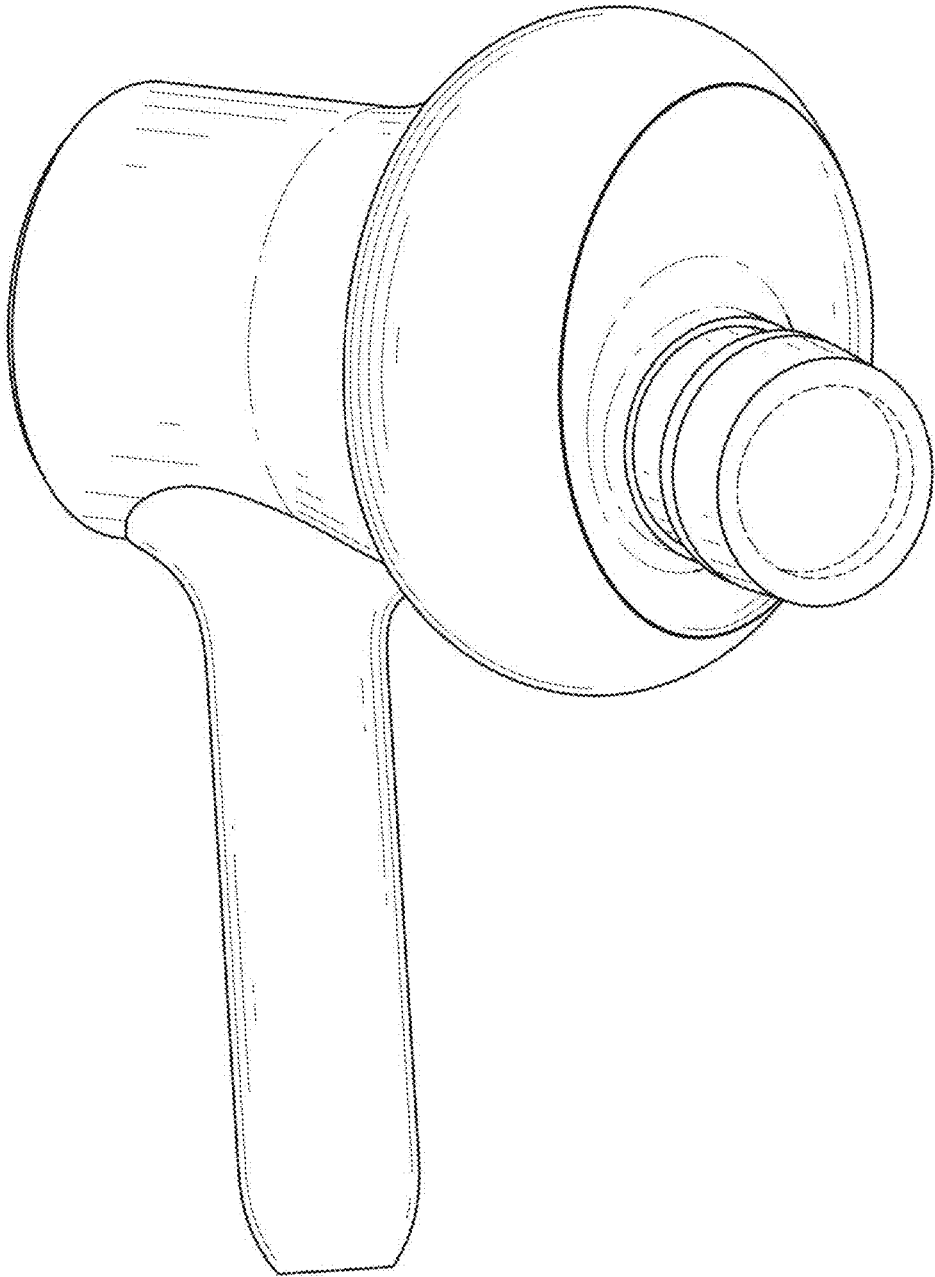


FIG. 7

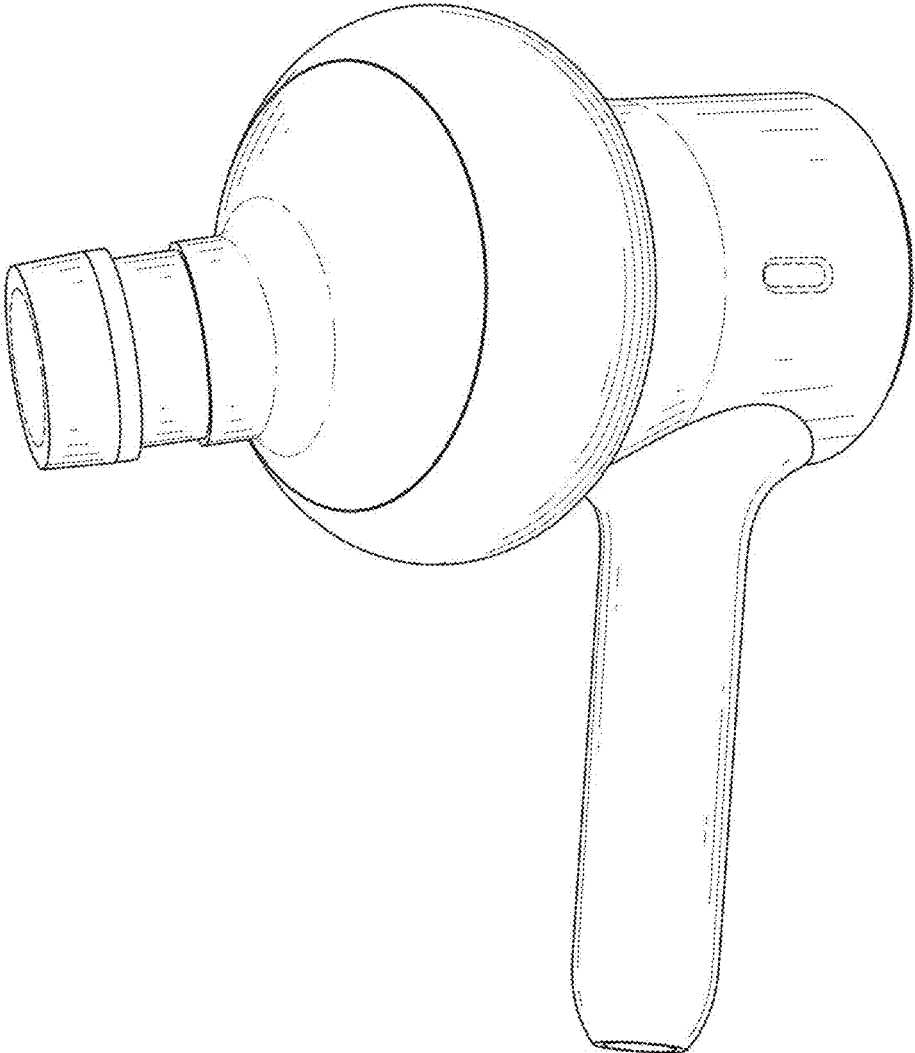


FIG. 8