



US00D908881S

(12) **United States Design Patent** (10) **Patent No.:** **US D908,881 S**
Dacosta et al. (45) **Date of Patent:** **** Jan. 26, 2021**

(54) **HANDHELD ENDOSCOPIC IMAGING DEVICE**
(71) Applicant: **SBI ALAPharma Canada, Inc.**, Toronto (CA)
(72) Inventors: **Ralph S. Dacosta**, Etobicoke (CA); **Kathryn Ottolino-Perry**, Toronto (CA); **Christopher Gibson**, Toronto (CA); **Nayana Thalanki Anantha**, Toronto (CA); **Simon Treadwell**, Toronto (CA); **Todd Daynes**, Aurora (CA); **Todd Meaney**, Thornhill (CA)
(73) Assignees: **SBI ALAPHARMA CANADA, INC.**, Toronto (CA); **UNIVERSITY HEALTH NETWORK**, Toronto (CA)

D677,793 S * 3/2013 Prpa D24/186
D733,595 S * 7/2015 Hoshino D10/70
D753,308 S * 4/2016 Marinkovich D24/158
D787,684 S * 5/2017 Vezina D24/187
D822,747 S 7/2018 Van Deusen et al.
D822,748 S 7/2018 Van Deusen et al.
D827,014 S 8/2018 Sakai
D849,105 S 5/2019 Hostedt et al.
D859,498 S 9/2019 Lin

(Continued)

FOREIGN PATENT DOCUMENTS

EP 2502551 A1 9/2012
EP 3372143 A1 9/2018
WO 2017079844 A1 5/2017

OTHER PUBLICATIONS

U.S. Appl. No. 62/793,842, dated Jan. 17, 2019.

(Continued)

Primary Examiner — Anhdao Doan
(74) *Attorney, Agent, or Firm* — Jones Robb, PLLC

(**) Term: **15 Years**
(21) Appl. No.: **29/677,152**
(22) Filed: **Jan. 17, 2019**
(51) **LOC (13) Cl.** **24-01**
(52) **U.S. Cl.**
USPC **D24/158**; D24/137
(58) **Field of Classification Search**
USPC D24/133, 137, 158, 186, 187, 138, 152,
D24/176; D10/78
CPC A61B 8/445; A61B 8/4455; A61B 8/4461;
A61B 8/12
See application file for complete search history.

(57) **CLAIM**

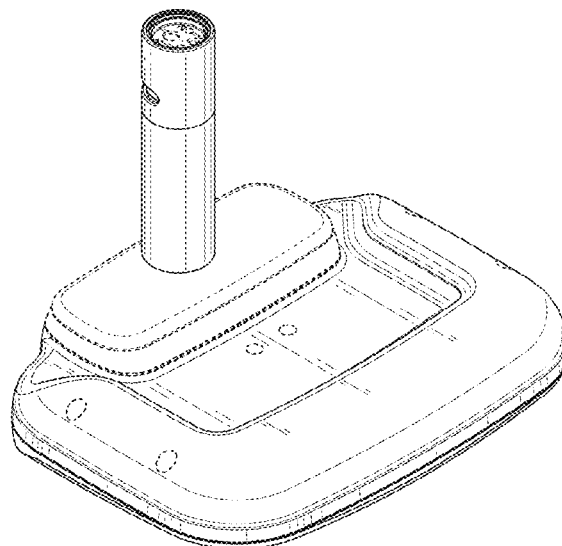
The ornamental design for a handheld endoscopic imaging device, as shown and described.

DESCRIPTION

FIG. 1 is a back, left side perspective view of an embodiment of a handheld endoscopic imaging device showing our new design.
FIG. 2 is a bottom view thereof.
FIG. 3 is a top view thereof.
FIG. 4 is a right side view thereof.
FIG. 5 is a left side view thereof.
FIG. 6 is a back view thereof; and,
FIG. 7 is a front view thereof.
The broken lines show portions of the handheld endoscopic imaging device that form no part of the claimed design.

1 Claim, 7 Drawing Sheets

(56) **References Cited**
U.S. PATENT DOCUMENTS
6,601,997 B2 8/2003 Ngo
D480,478 S * 10/2003 Leonard D24/133
D585,554 S * 1/2009 Suzuki D24/158
D610,178 S 2/2010 Adolfsson et al.
D636,424 S 4/2011 Yu-Huan
D658,298 S * 4/2012 Prpa D24/186



(56)

References Cited

U.S. PATENT DOCUMENTS

D861,176 S * 9/2019 Yoon D24/186
D861,764 S 10/2019 Zhao
D865,845 S 11/2019 Sakai
D868,867 S 12/2019 Jean et al.
D873,890 S 1/2020 Fidler
2010/0145146 A1 6/2010 Melder
2014/0180116 A1* 6/2014 Lindekugel A61B 8/4281
600/461
2015/0182196 A1 7/2015 Ninomiya et al.
2016/0287211 A1* 10/2016 DaCosta A61B 8/4416
2018/0242848 A1 8/2018 Dacosta et al.

OTHER PUBLICATIONS

U.S. Appl. No. 62/793,846, dated Jan. 17, 2019.
U.S. Appl. No. 62/857,183, dated Jun. 4, 2019.
U.S. Appl. No. 29/676,901, dated Jan. 15, 2019.
Notice of Allowance in U.S. Appl. No. 29/676,901, dated Jun. 4, 2020.
International Patent Application No. PCT/IB2020/050384, dated Jan. 17, 2020.
International Search Report and Written Opinion from International Patent Application No. PCT/IB2020/050384, dated Apr. 22, 2020.
International Patent Application No. PCT/IB2020/050385, dated Jan. 17, 2020.
International Search Report and Written Opinion from International Patent Application No. PCT/IB2020/050385 dated Apr. 8, 2020.

* cited by examiner

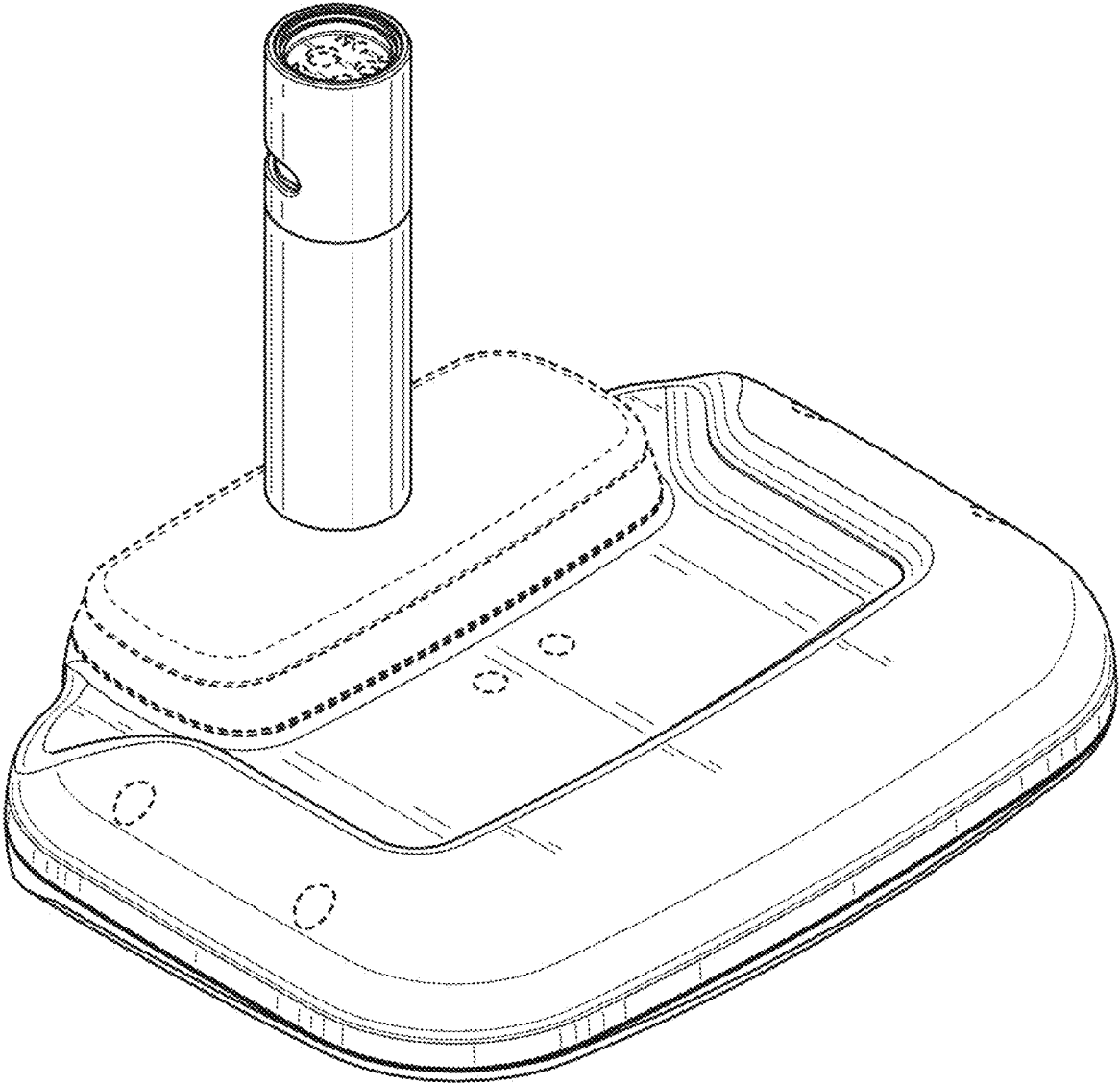


FIG. 1

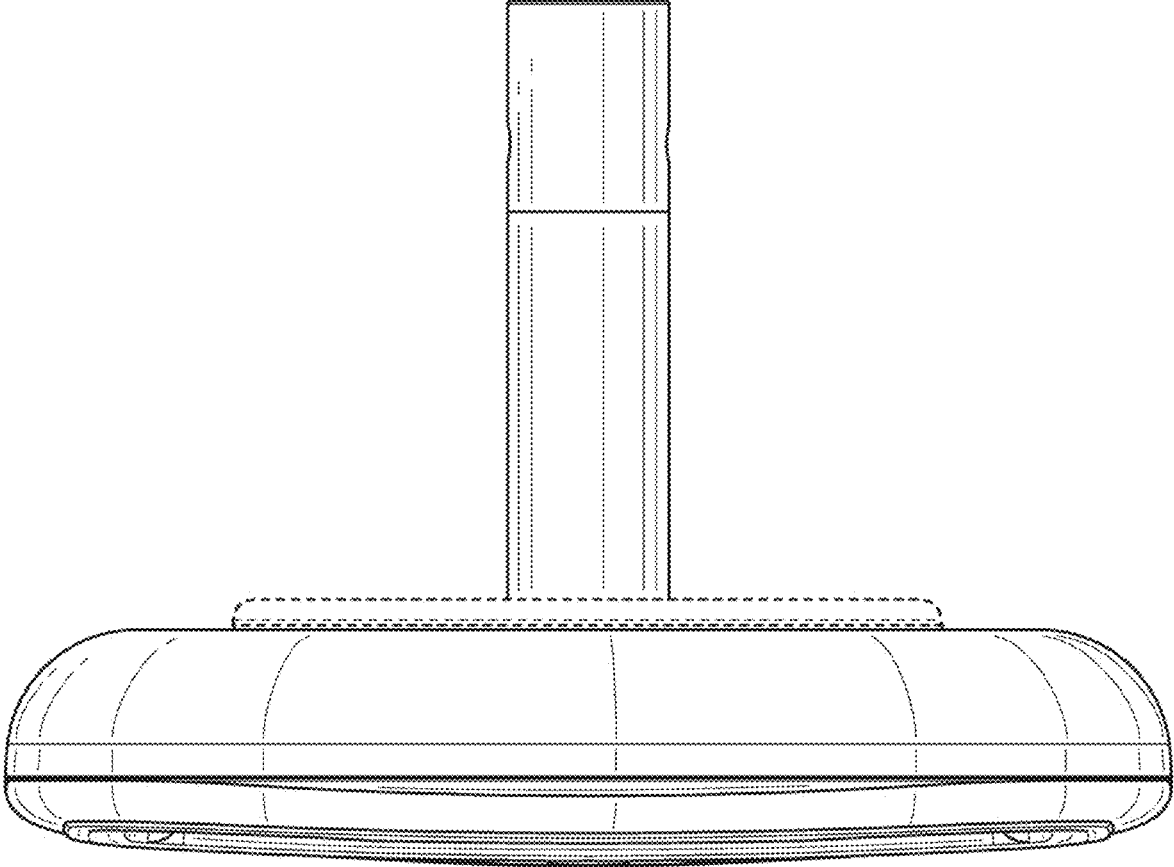


FIG. 2

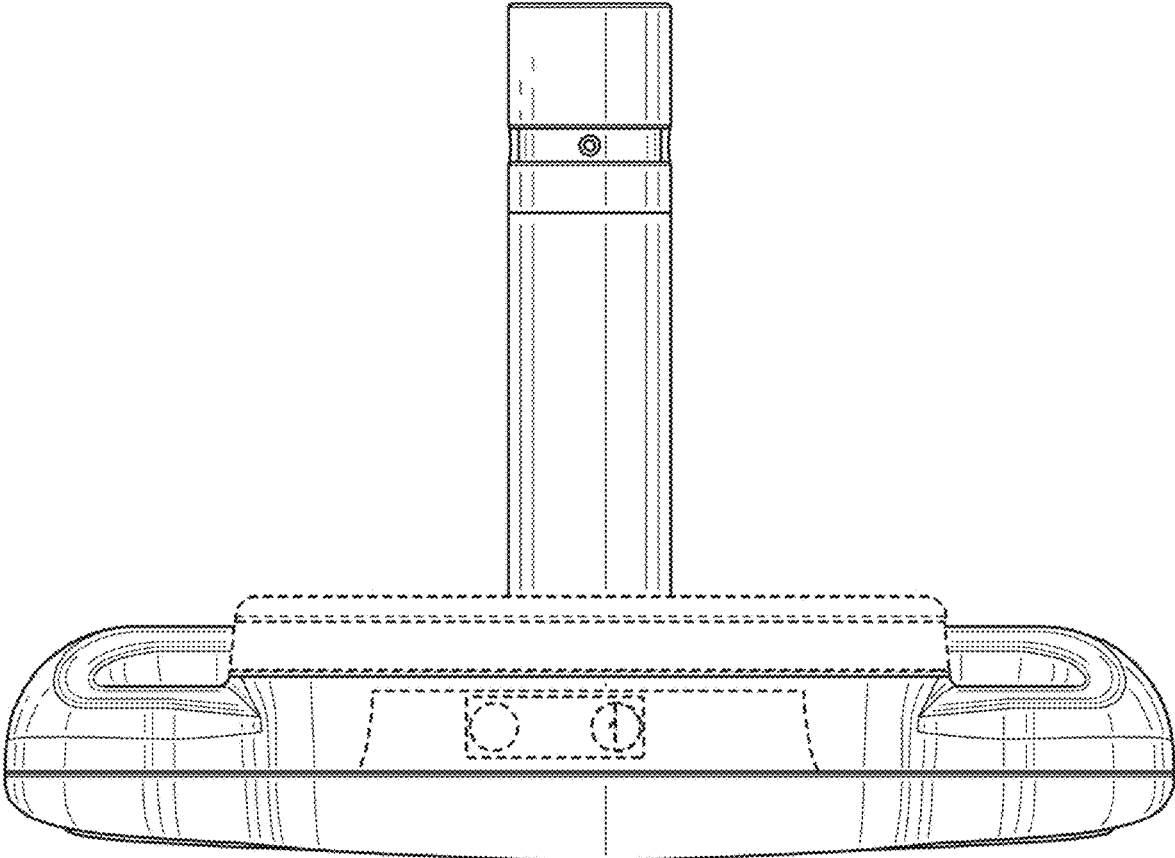


FIG. 3

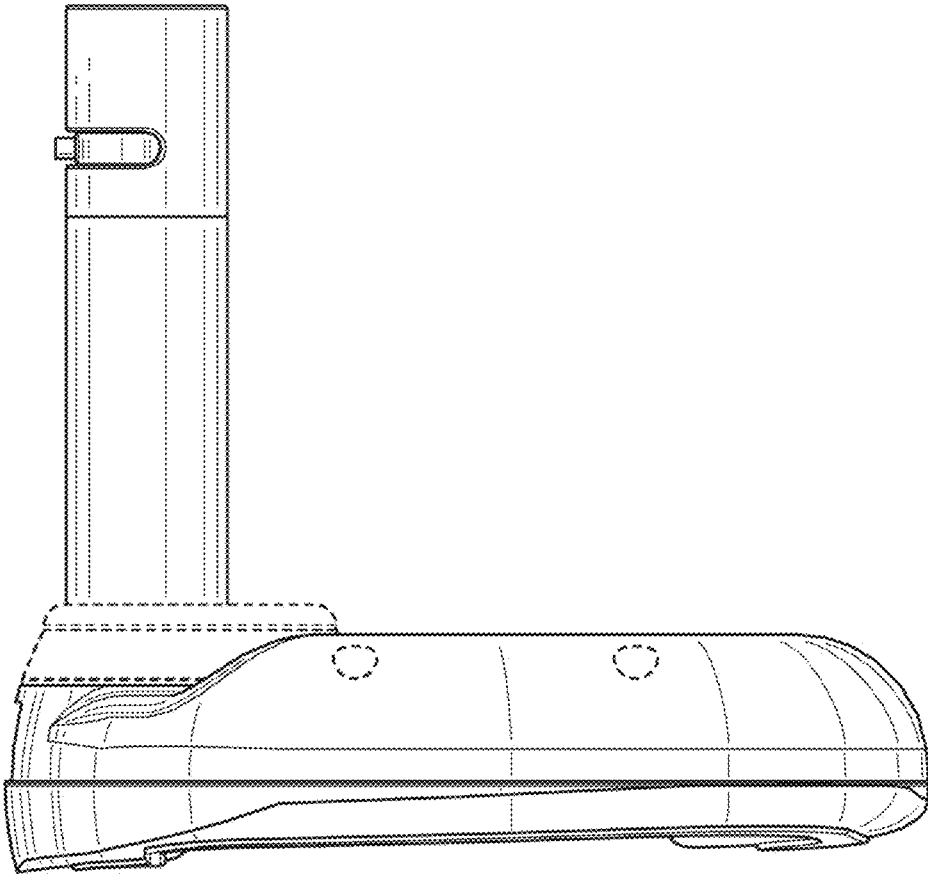


FIG. 4

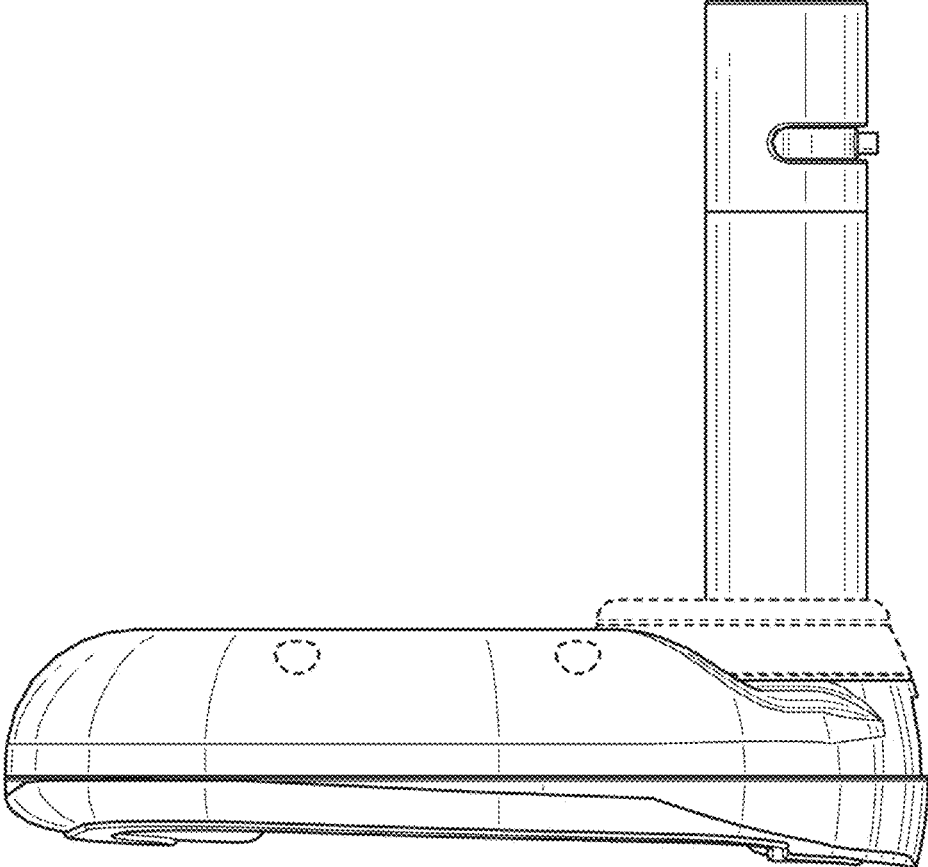


FIG. 5

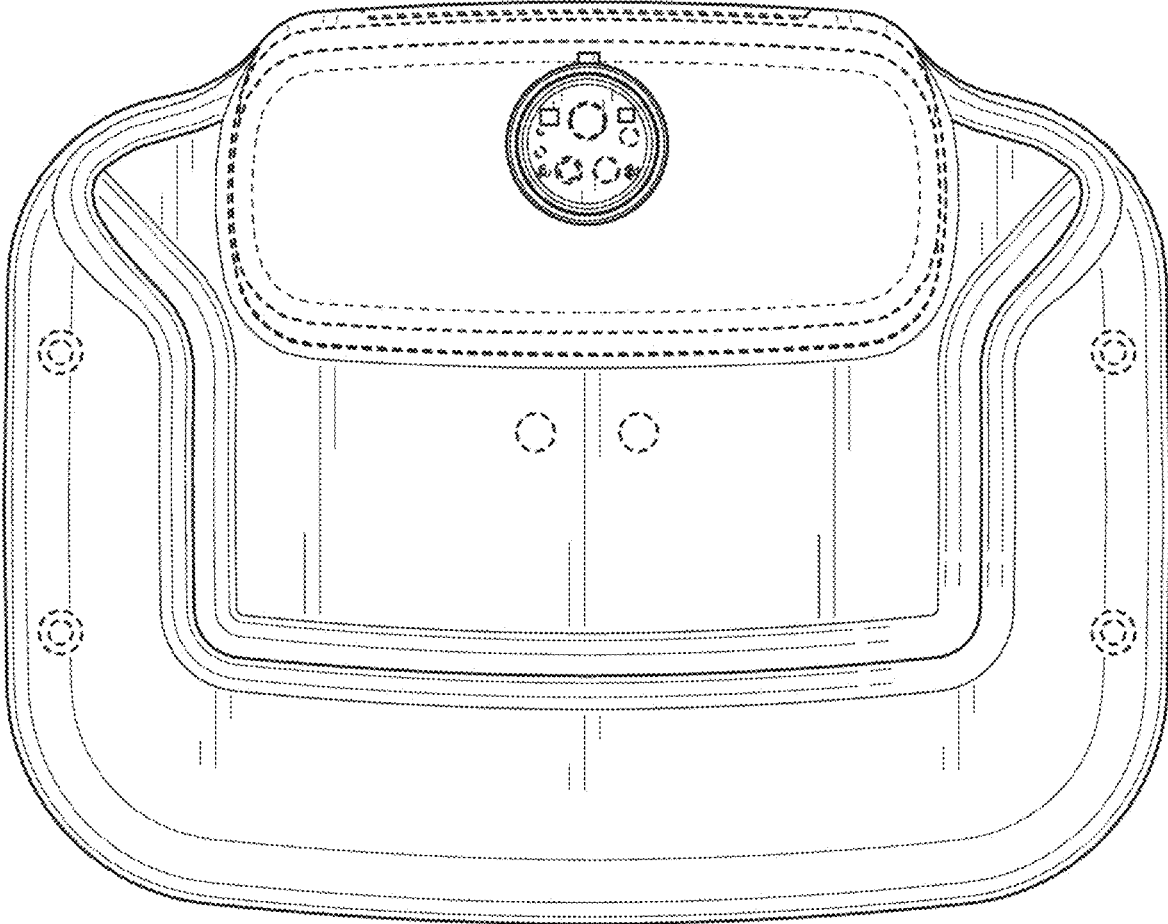


FIG. 6

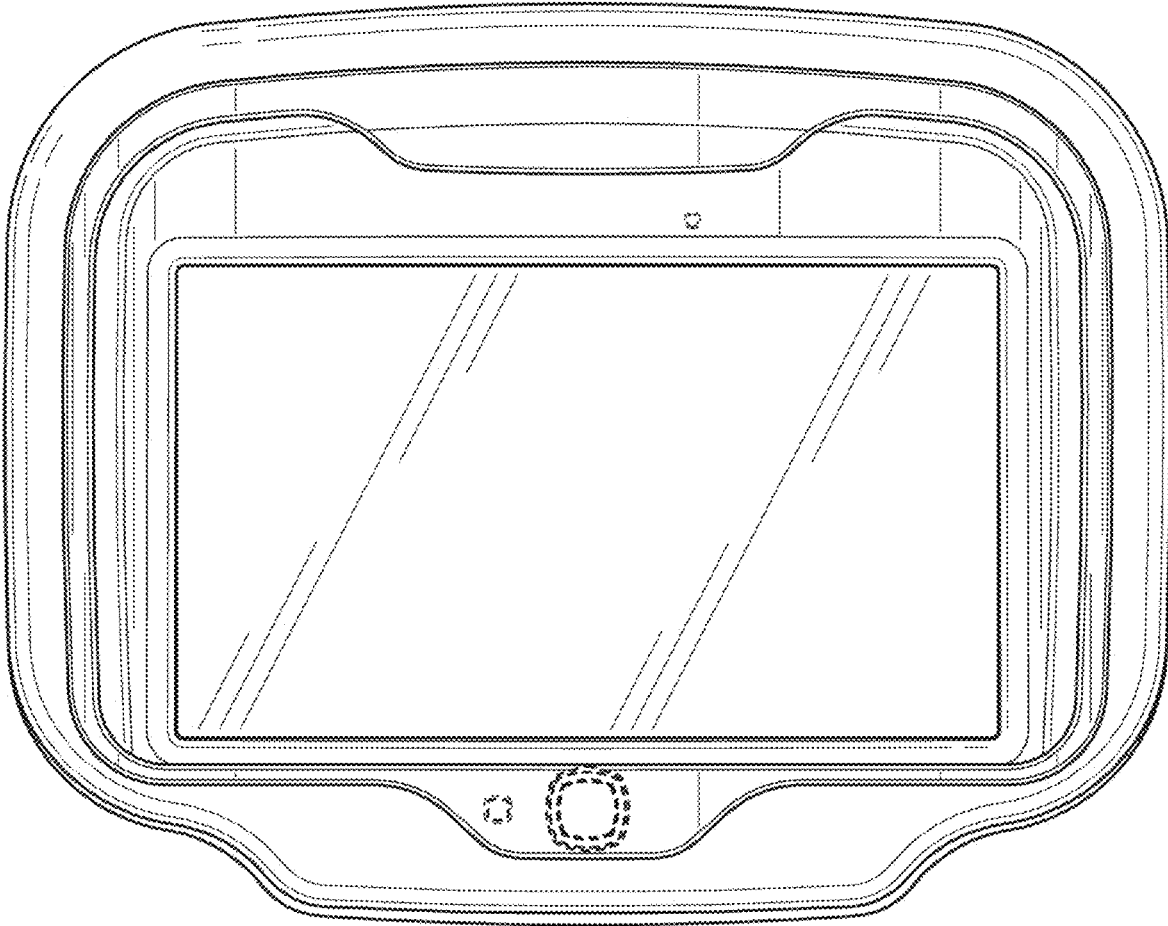


FIG. 7