



US00D760430S

(12) **United States Design Patent**
Hanna

(10) **Patent No.:** **US D760,430 S**

(45) **Date of Patent:** **** Jun. 28, 2016**

- (54) **HOOKAH CAPSULE**
- (71) Applicant: **Emad Hanna**, Downey, CA (US)
- (72) Inventor: **Emad Hanna**, Downey, CA (US)
- (**) Term: **14 Years**
- (21) Appl. No.: **29/517,134**
- (22) Filed: **Feb. 10, 2015**
- (51) **LOC (10) Cl.** **27-02**
- (52) **U.S. Cl.**
USPC **D27/167; D27/162**
- (58) **Field of Classification Search**
USPC D27/167, 100, 162, 168, 172, 175, 183,
D27/184, 194; 131/330, 173, 222, 226
CPC A24F 1/30; A24F 5/00; A24F 5/04
See application file for complete search history.

2007/0215164	A1*	9/2007	Mehio	A24F 1/30 131/173
2010/0083973	A1*	4/2010	Zoumut	A24F 1/30 131/173
2010/0101590	A1*	4/2010	Pflaum	A24F 1/30 131/222
2010/0126518	A1*	5/2010	Saleh	A24F 1/30 131/222
2011/0088706	A1*	4/2011	Badawi	A24D 1/14 131/173
2011/0186060	A1*	8/2011	Saleh	A24F 1/30 131/173
2011/0308537	A1*	12/2011	Khoury	A24F 5/10 131/174
2012/0204888	A1*	8/2012	Descamp	A24F 5/00 131/180
2014/0326257	A1*	11/2014	Jalloul	A24D 1/14 131/226
2015/0075544	A1*	3/2015	Portz	A24D 1/14 131/328
2016/0037825	A1*	2/2016	Stein	A24F 5/00 131/328

* cited by examiner

(56) **References Cited**

U.S. PATENT DOCUMENTS

3,292,634	A *	12/1966	Beucler	A24D 1/14 131/183
D358,229	S *	5/1995	Heine	D27/162
8,347,892	B2 *	1/2013	Mehio	A24F 1/30 131/173
8,464,725	B2 *	6/2013	Badawi	A24D 1/14 131/173
8,763,799	B2 *	7/2014	Haidar	A24F 23/00 131/173
8,783,265	B2 *	7/2014	Shakouri Moghadam	A24F 1/30 131/196
D724,262	S *	3/2015	Hearn	D27/101
8,967,154	B2 *	3/2015	Mitchell	F23Q 2/00 131/183
D726,366	S *	4/2015	Kirakosian	D27/162
D726,367	S *	4/2015	Dukat	D27/167
D745,212	S *	12/2015	Bahbah	D27/162
D745,994	S *	12/2015	Hanna	D27/162
D745,995	S *	12/2015	Albathe	D27/162
D746,512	S *	12/2015	Sahni	D27/162

Primary Examiner — Susan Bennett Hattan
Assistant Examiner — Janice Hallmark
(74) *Attorney, Agent, or Firm* — Vladi Khiterer

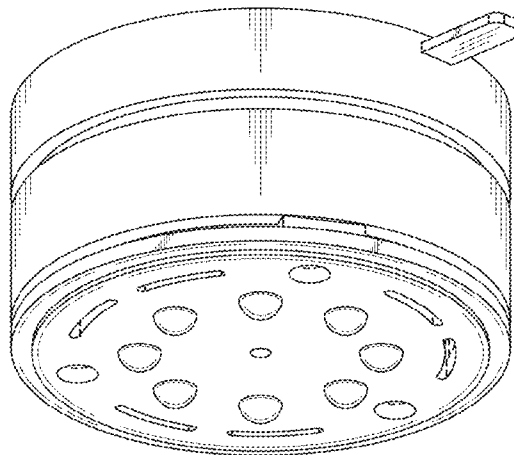
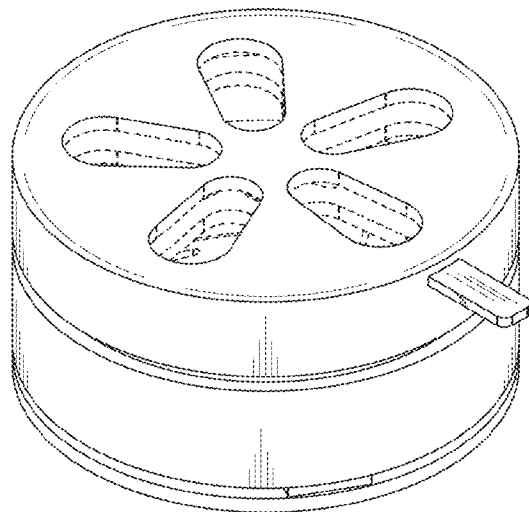
(57) **CLAIM**

The ornamental design for a hookah capsule, as shown and described.

DESCRIPTION

FIG. 1 is a top perspective view of a hookah capsule showing my new design;
FIG. 2 is a bottom perspective view thereof;
FIG. 3 is a top plan view thereof;
FIG. 4 is a bottom plan view thereof;
FIG. 5 is a front elevation view thereof, a back elevation view is a mirror image; and,
FIG. 6 is a side elevation view thereof.
The broken lines in the drawings depict parts of the hookah capsule that form no part of the claimed design.

1 Claim, 6 Drawing Sheets



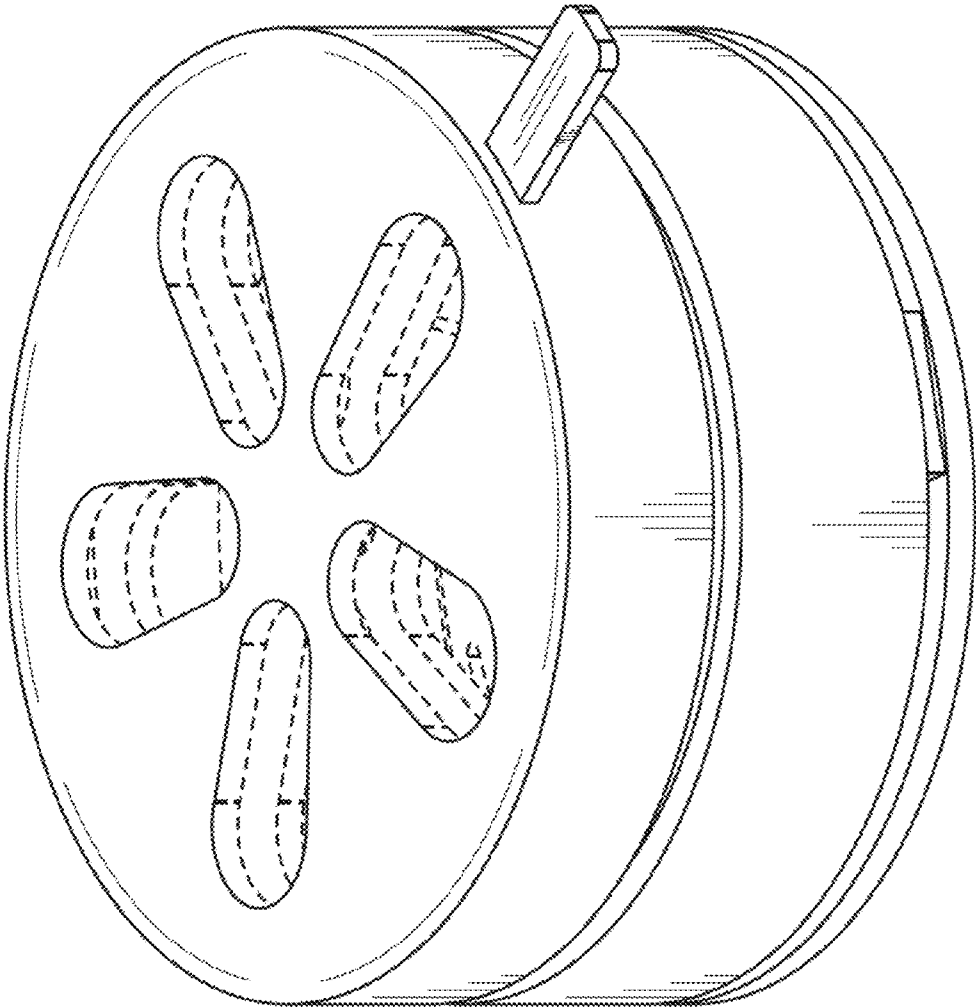


FIG. 1

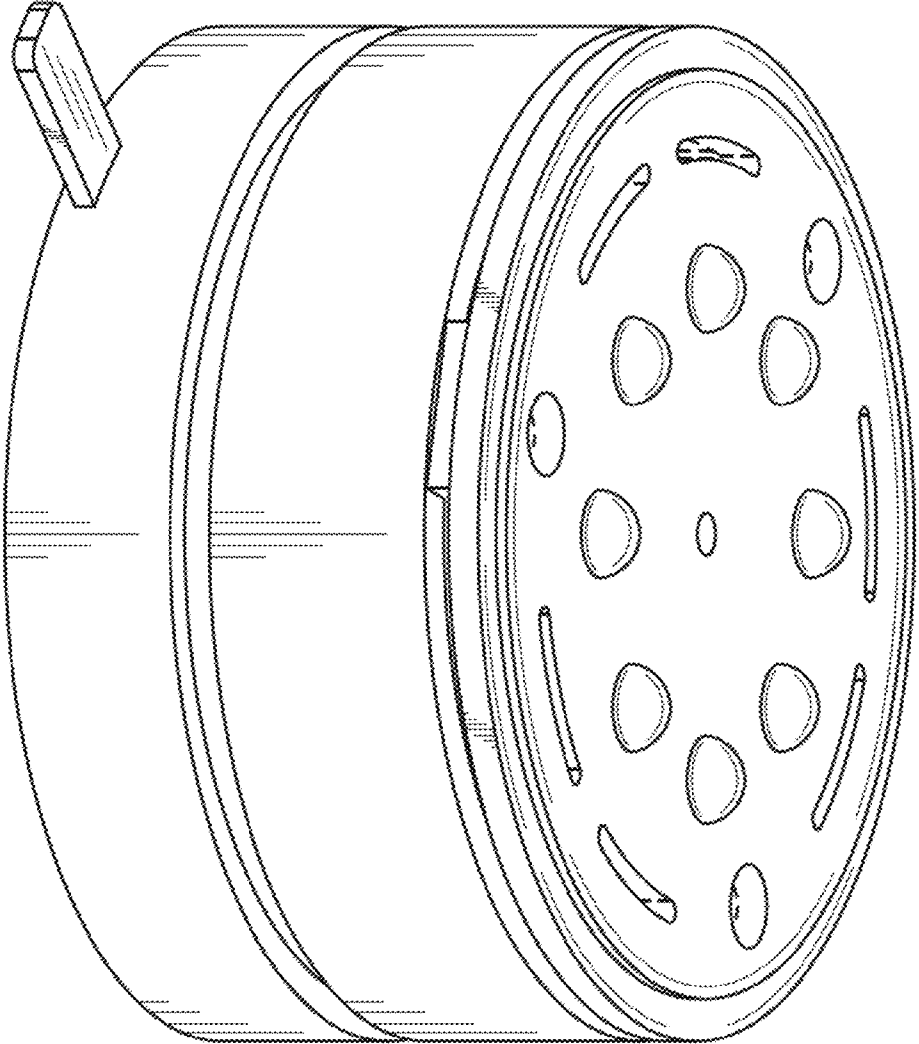


FIG. 2

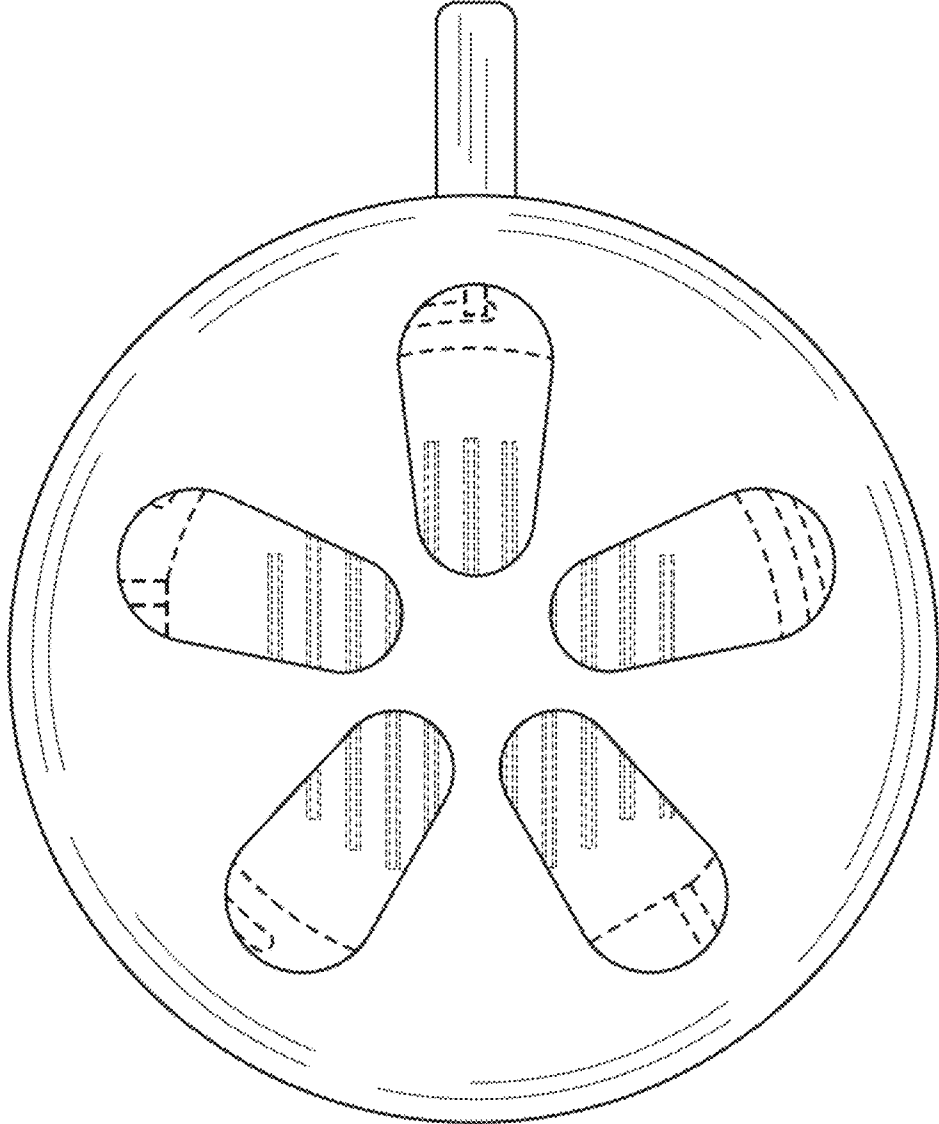


FIG. 3

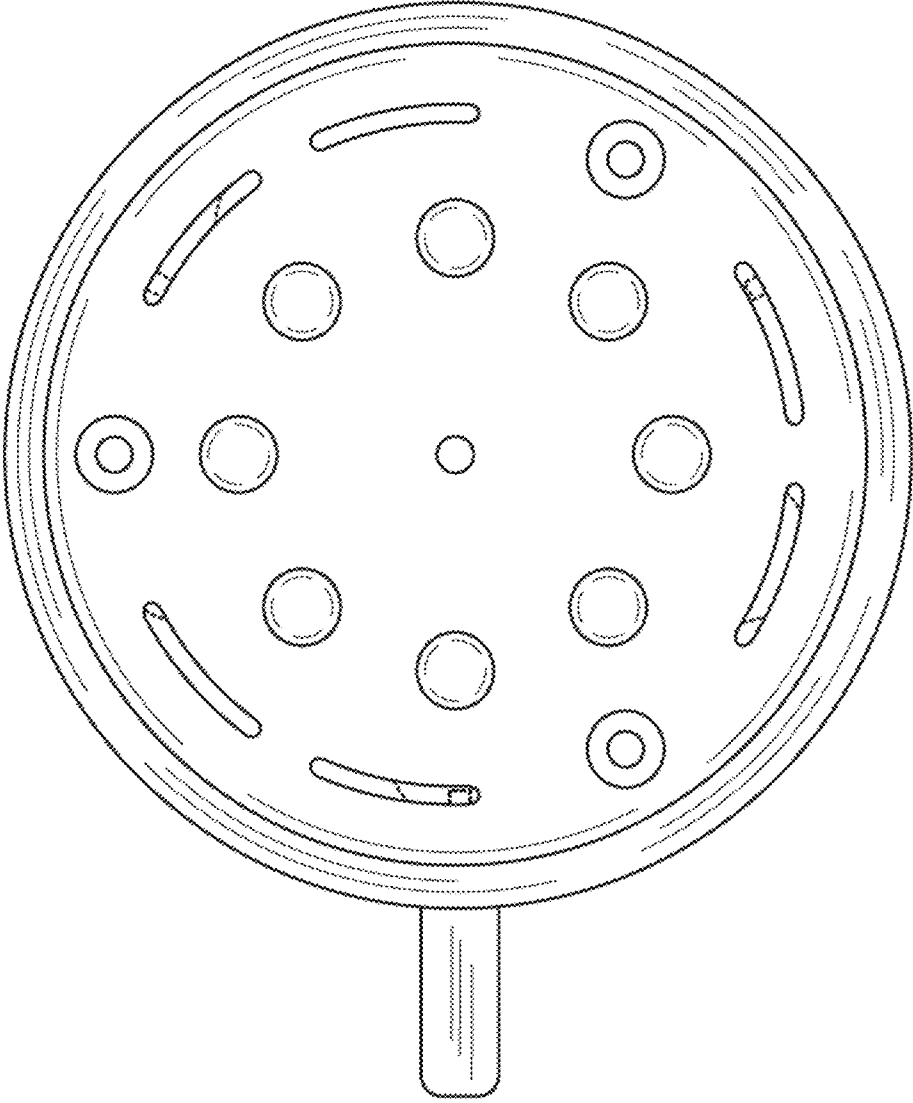


FIG. 4

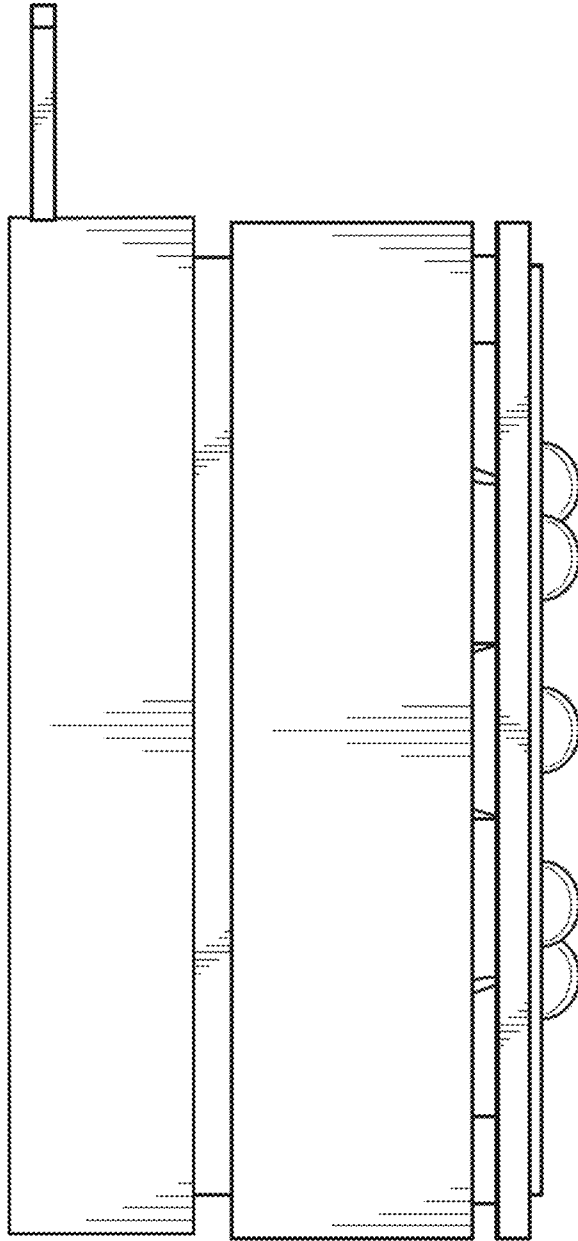


FIG. 5

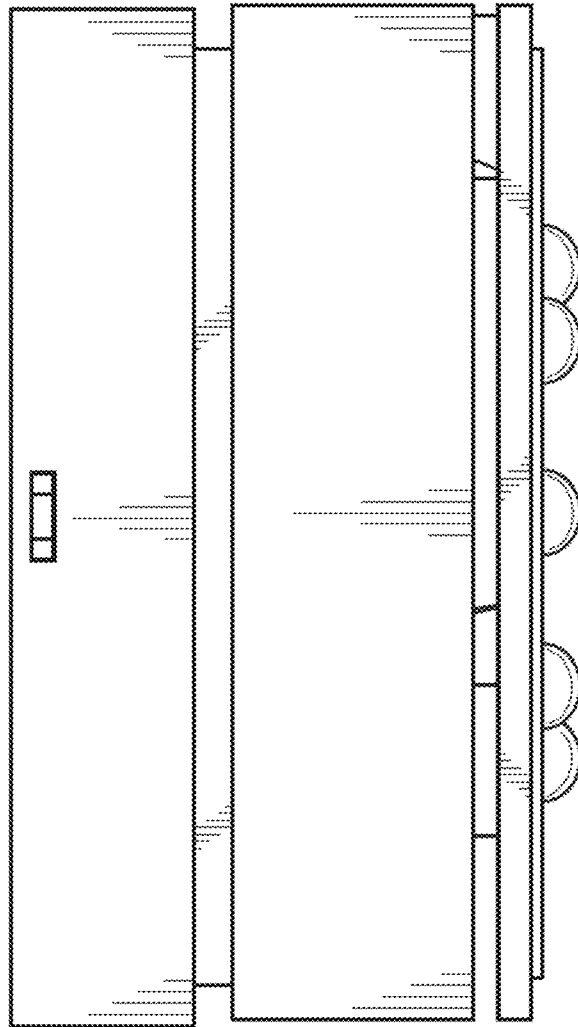


FIG. 6