



US00D691035S

(12) **United States Design Patent**
Sill

(10) **Patent No.:** **US D691,035 S**

(45) **Date of Patent:** **** Oct. 8, 2013**

- (54) **CLOSEABLE CARTON**
- (71) Applicant: **Inno-Pak, LLC**, Delaware, OH (US)
- (72) Inventor: **Jonathan D. Sill**, Powell, OH (US)
- (73) Assignee: **Inno-Pak, LLC**, Delaware, OH (US)
- (**) Term: **14 Years**

2,572,610 A 10/1951 Gilbert
 2,644,633 A 7/1953 Stopper
 2,666,414 A 1/1954 Burr et al.

(Continued)

- (21) Appl. No.: **29/448,435**
- (22) Filed: **Mar. 12, 2013**
- (51) **LOC (9) Cl.** **09-03**
- (52) **U.S. Cl.**
USPC **D9/418**
- (58) **Field of Classification Search**
USPC D9/415, 414, 416, 418, 419, 428, 442,
D9/447, 430, 432-433, 456, 424, 503, 501,
D9/695, 696, 697, 699, 690, 686, 688, 689,
D9/711, 715, 721, 710, 718, 736, 740, 743,
D9/744, 749, 757, 767, 772, 781, 753, 742,
D9/739, 72; 206/395, 397-398, 223, 736,
206/756, 495, 349, 760, 541, 784; 229/395,
229/938, 902, 409, 125.05, 116.1
See application file for complete search history.

OTHER PUBLICATIONS

http://www.alibaba.com/product-gs/586779875/paper_printing_cupcake_box_handle/show...

(Continued)

Primary Examiner — Robert M Spear
Assistant Examiner — Rhea Shields
 (74) *Attorney, Agent, or Firm* — Ward and Smith, P.A.

(57) **CLAIM**

The ornamental design for a closeable carton, as shown and described.

DESCRIPTION

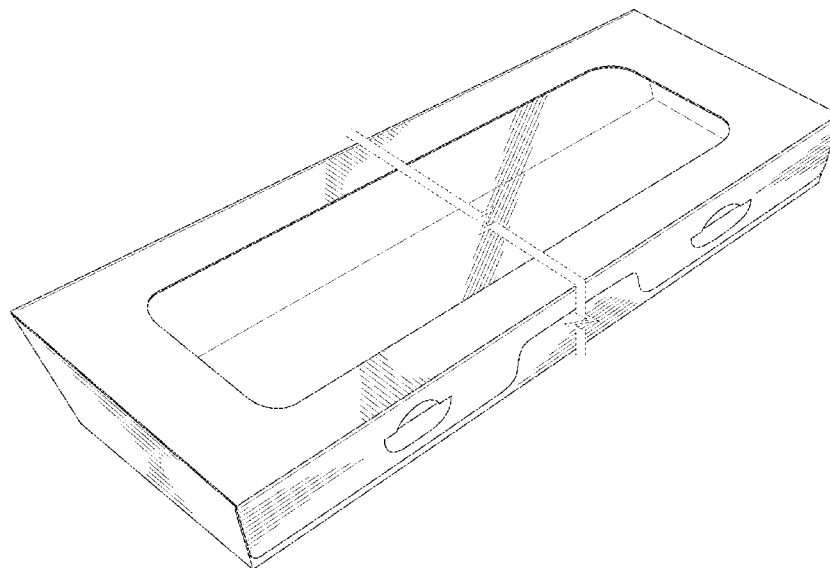
FIG. 1 is a perspective view of a closeable carton showing a new design;
 FIG. 2 is a right side elevation view thereof, the left side being a mirror image;
 FIG. 3 is a front elevation view thereof;
 FIG. 4 is a rear elevation view thereof;
 FIG. 5 is a top plan view thereof;
 FIG. 6 is a bottom plan view thereof;
 FIG. 7 is a cross-section view taken on line 7-7 of FIG. 5;
 FIG. 8 is a cross-section view taken on line 8-8 of FIG. 5;
 FIG. 9 is another perspective view thereof, showing the closeable carton in an alternate open configuration; and,
 FIG. 10 is another top plan view thereof, showing the closeable carton in an alternate blank configuration.
 The broken lines in the drawings illustrate unclaimed environment only and form no part of the claimed design. The closeable carton is shown with a symbolic break in its length. The appearance of any portion of the article between the break lines forms no part of the claimed design.

(56) **References Cited**

U.S. PATENT DOCUMENTS

- 1,135,742 A 4/1915 Voris
- 1,474,879 A 11/1923 Ayres
- 1,923,774 A 8/1933 Coyle
- 1,991,165 A 2/1935 Luckett
- 2,034,809 A 3/1936 Grant
- 2,091,664 A 8/1937 Walsh
- D106,826 S * 11/1937 Dieffenbach D9/418
- 2,118,821 A 5/1938 Ringler
- D136,489 S 10/1943 Geffner

1 Claim, 8 Drawing Sheets



(56)

References Cited

U.S. PATENT DOCUMENTS

2,728,485 A 12/1955 Howard
 2,793,801 A 5/1957 Papadopoulos
 2,805,813 A 9/1957 Rittmueller
 2,838,222 A 6/1958 Papadopoulos
 D190,772 S 6/1961 Cuyler
 D191,145 S 8/1961 Casareo
 3,019,960 A 2/1962 Vaughan-Parks
 3,346,399 A 10/1967 Watson et al.
 3,547,339 A 12/1970 Bruce
 D242,901 S 1/1977 Lohrbach
 4,002,288 A 1/1977 Klupt
 4,105,155 A 8/1978 Forbes, Jr.
 4,238,069 A 12/1980 Morris, Jr.
 D259,615 S 6/1981 Morris, Jr.
 4,375,846 A 3/1983 Nauheimer
 D273,179 S 3/1984 Shore
 D282,720 S 2/1986 Borg
 D292,487 S 10/1987 Kea
 5,411,204 A 5/1995 DeMay
 5,494,214 A 2/1996 Fleury et al.
 D385,187 S 10/1997 Loft
 5,853,121 A 12/1998 Francisco
 D418,751 S 1/2000 Wolf
 D437,554 S 2/2001 Milton
 D442,859 S 5/2001 Hirschey
 D447,685 S 9/2001 Chagnon et al.

D462,903 S 9/2002 Yuen
 D497,309 S 10/2004 Nordland et al.
 D502,646 S 3/2005 Postulka
 D516,421 S 3/2006 Gironi et al.
 7,255,261 B2 8/2007 Mesly
 D570,210 S 6/2008 McGrath
 D576,482 S 9/2008 DeBusk
 D578,876 S 10/2008 Ambelang et al.
 D600,110 S 9/2009 Cain
 D622,139 S 8/2010 Marcott et al.
 D631,743 S 2/2011 Hubbard et al.
 D640,128 S 6/2011 Harshman
 D651,076 S 12/2011 Van Berlo
 D664,429 S 7/2012 Arrigo
 D674,690 S * 1/2013 Sill D9/431
 D675,092 S * 1/2013 Sill D9/431
 D675,520 S * 2/2013 Sill D9/431
 D675,920 S 2/2013 Sill
 D678,761 S * 3/2013 Cooper D9/418
 D678,779 S * 3/2013 Lee D9/622
 D679,950 S * 4/2013 Cooper D7/538
 2008/0087679 A1 4/2008 Cook et al.

OTHER PUBLICATIONS

<http://www.globalsugarart.com/cupcake-box-pink-gable-top-with-window-inches-ct-p-29246.html>.

* cited by examiner

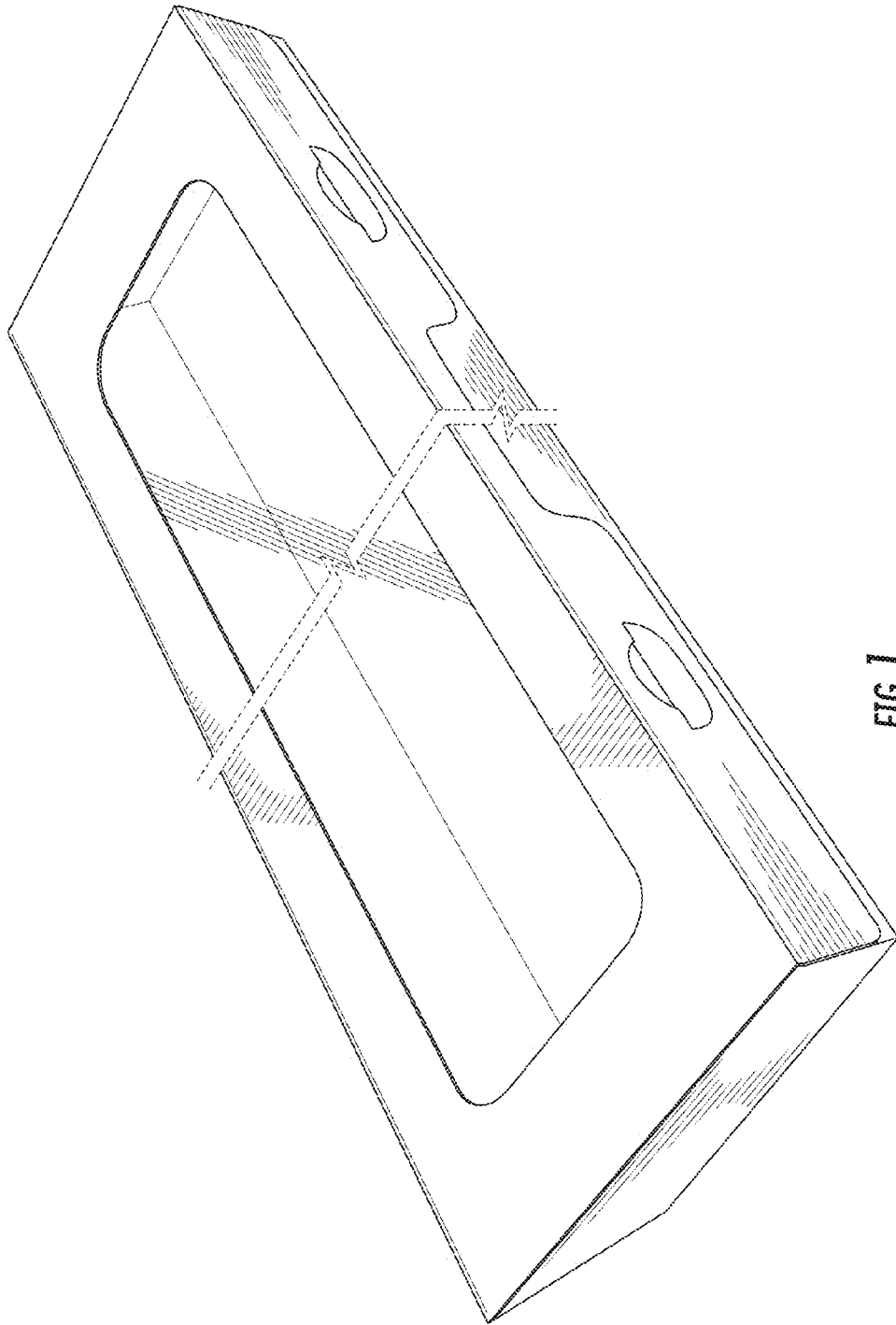


FIG. 1



FIG. 2

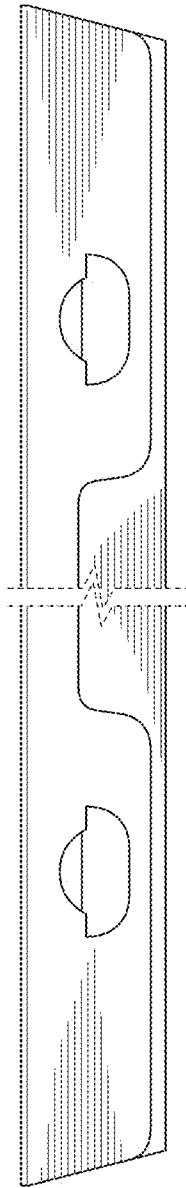


FIG. 3

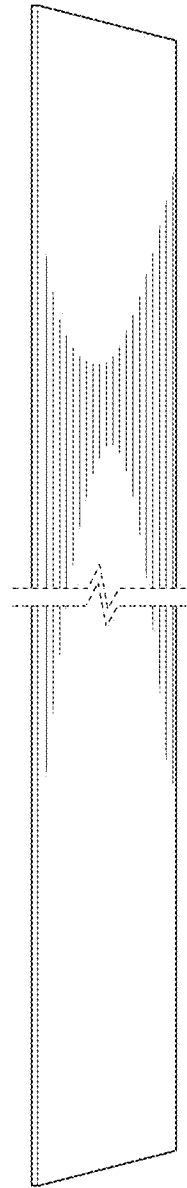


FIG. 4

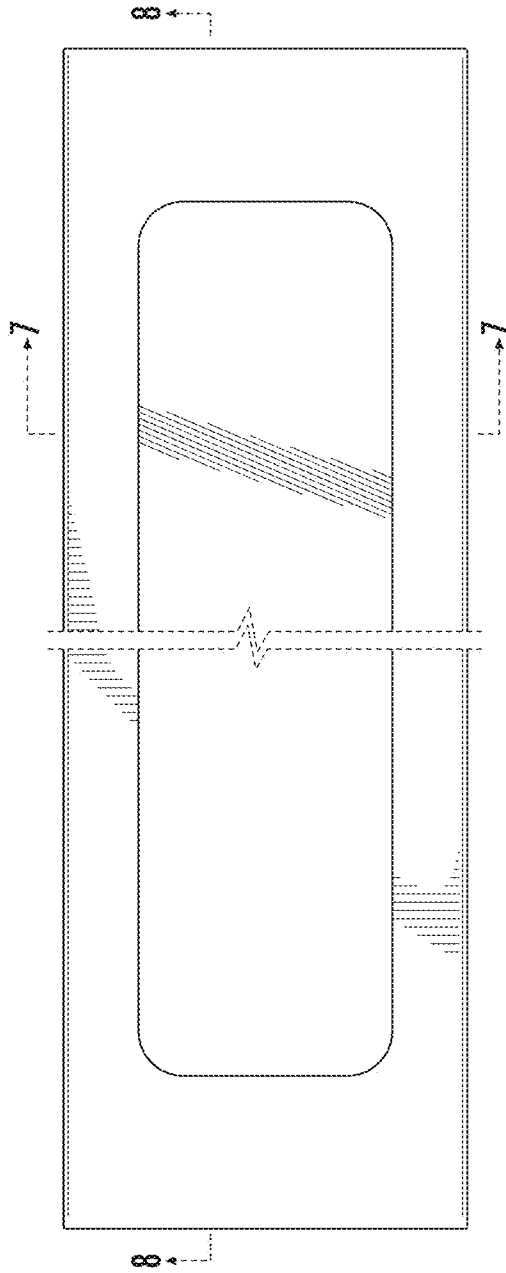


FIG. 5

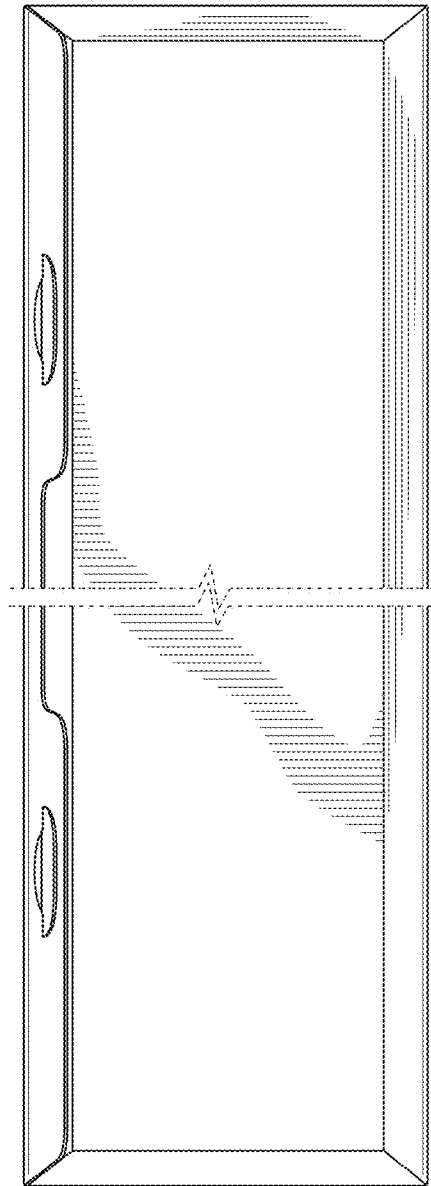


FIG. 6

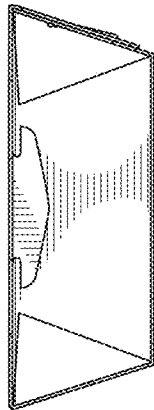


FIG. 7

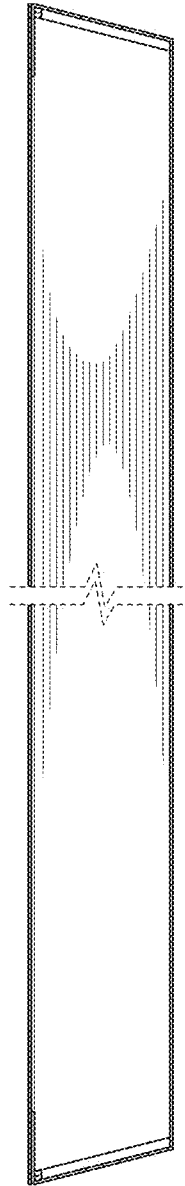


FIG. 8

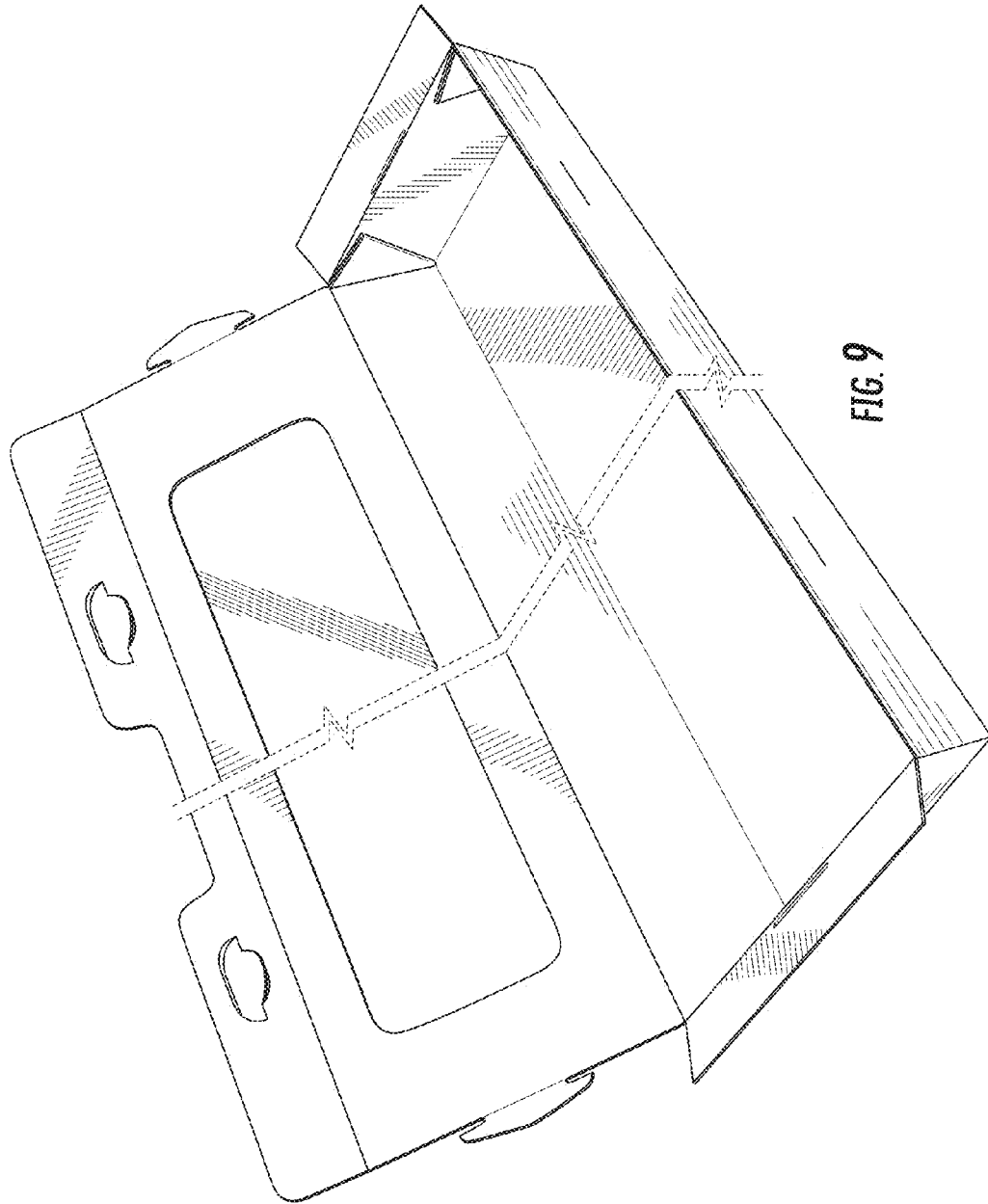


FIG. 9

