



US00D538261S

(12) **United States Design Patent**
Taylor et al.

(10) **Patent No.:** **US D538,261 S**

(45) **Date of Patent:** **** Mar. 13, 2007**

(54) **HEADSET**

(75) Inventors: **Laura Kay Taylor**, Needham, MA (US); **Michael S. D'Agostino**, Lowell, MA (US); **Michael E. Laude**, Upton, MA (US)

(73) Assignee: **Bose Corporation**, Framingham, MA (US)

(**) Term: **14 Years**

(21) Appl. No.: **29/251,078**

(22) Filed: **Jan. 3, 2006**

(51) **LOC (8) Cl.** **14-01**

(52) **U.S. Cl.** **D14/205**

(58) **Field of Classification Search** D14/192, D14/205, 206, 223, 137; D2/891, 893; D29/110, D29/112, 122; 128/857, 864, 866; 379/430, 379/444; 181/129, 130, 137, 175; 2/209, 2/423; 381/309, 370, 374, 383, 378
See application file for complete search history.

(56) **References Cited**

U.S. PATENT DOCUMENTS

3,505,684 A * 4/1970 Hutchinson et al. 2/209
D301,145 S * 5/1989 Besasie et al. D14/205
5,095,382 A * 3/1992 Abe 398/202

5,185,807 A * 2/1993 Bergin et al. 381/378
5,384,857 A * 1/1995 Nordin et al. 381/378
5,406,037 A * 4/1995 Nageno et al. 181/129
D377,174 S * 1/1997 Runquist D14/206
D411,200 S * 6/1999 Almqvist D14/192
D413,413 S * 8/1999 Dillon et al. D29/112
D434,191 S * 11/2000 Emilsson D29/112
6,449,806 B1 * 9/2002 Engelhard et al. 24/3.1
D512,708 S * 12/2005 Harris et al. D14/205

* cited by examiner

Primary Examiner—Paula A. Greene

(74) *Attorney, Agent, or Firm*—Fish & Richardson P.C.

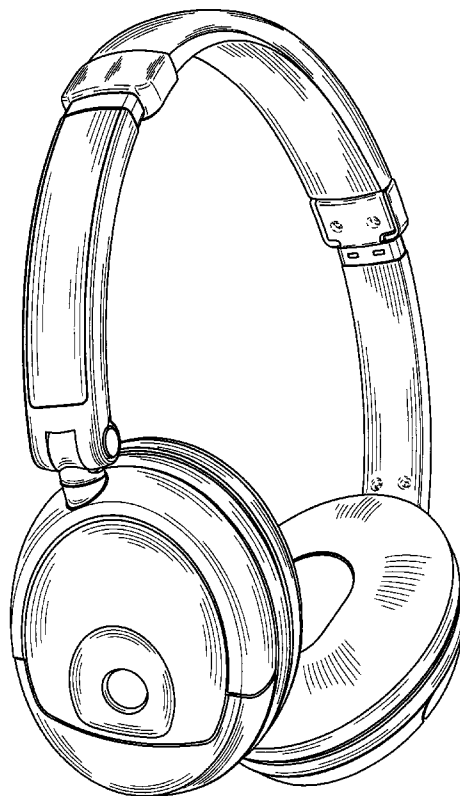
(57) **CLAIM**

The ornamental design for a headset, substantially as shown and described.

DESCRIPTION

FIG. 1 is a perspective view of the headset;
FIG. 2 is a front view thereof;
FIG. 3 is a rear view thereof;
FIG. 4 is a first side view thereof;
FIG. 5 is an opposite side view thereof;
FIG. 6 is a top view thereof; and,
FIG. 7 is a bottom view thereof.
The broken lines are included for the purpose of illustration and form no part of the claimed design.

1 Claim, 5 Drawing Sheets



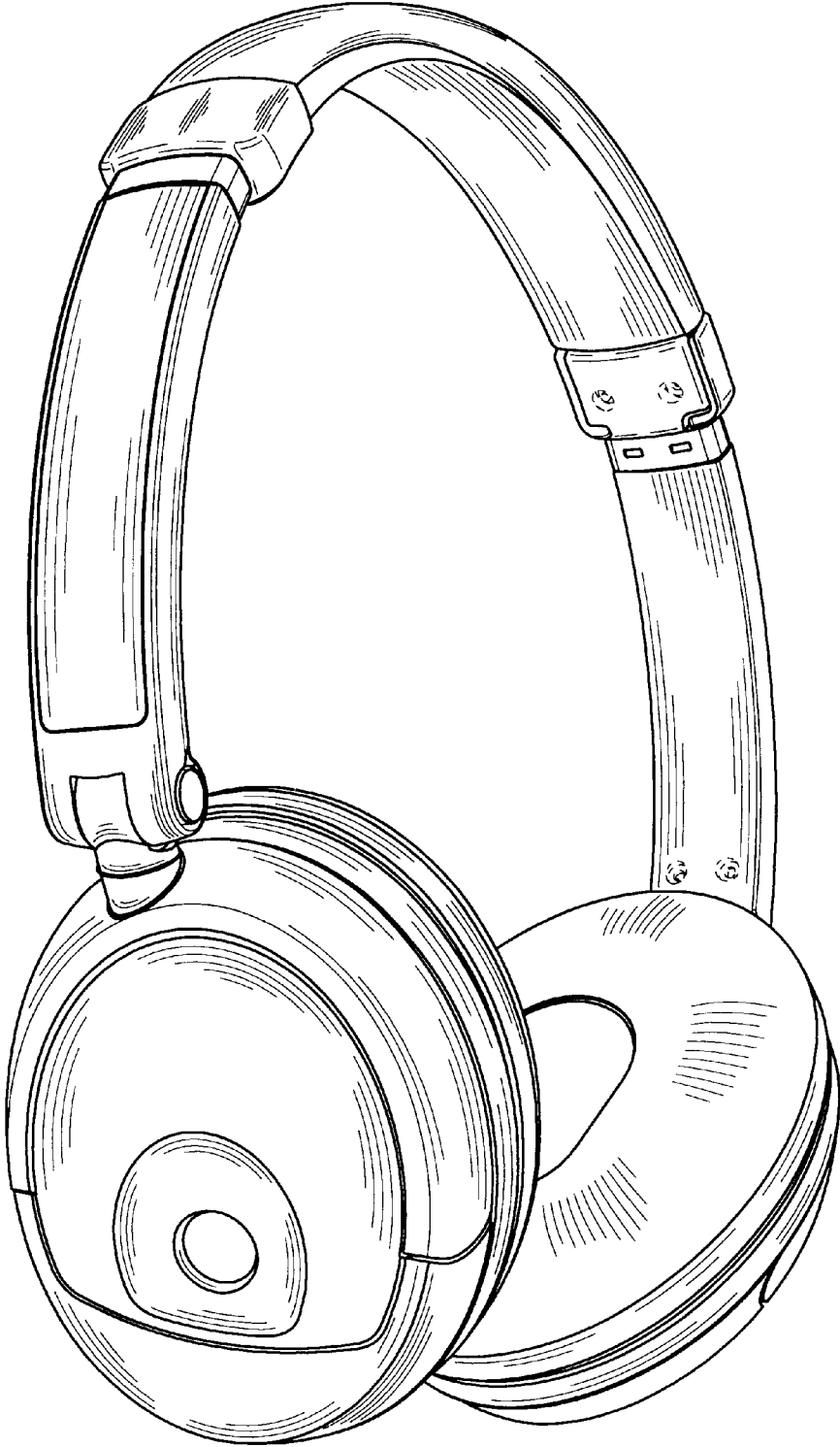


FIG. 1



FIG. 2



FIG. 3

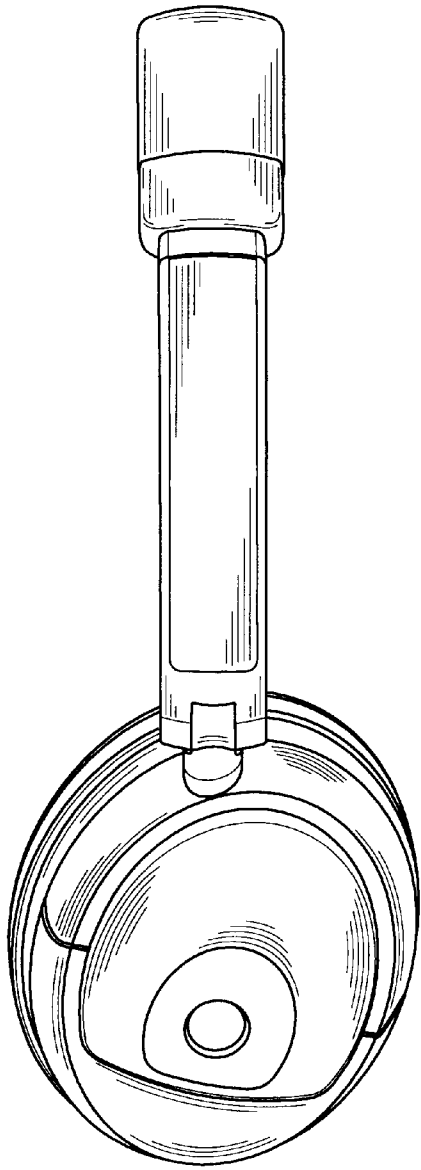


FIG. 4

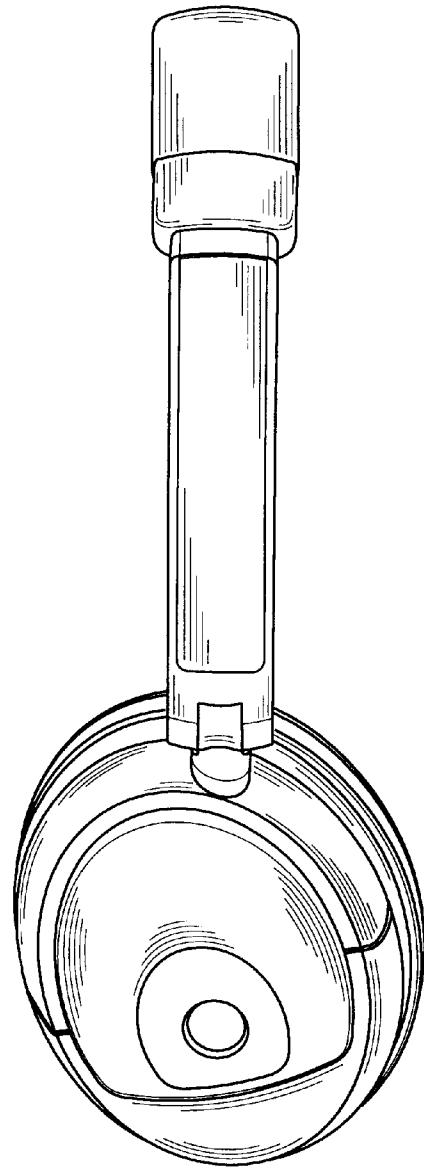


FIG. 5

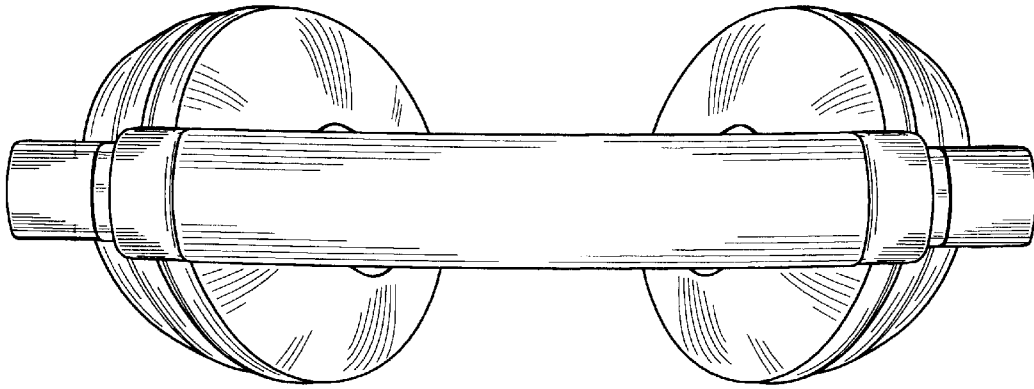


FIG. 6

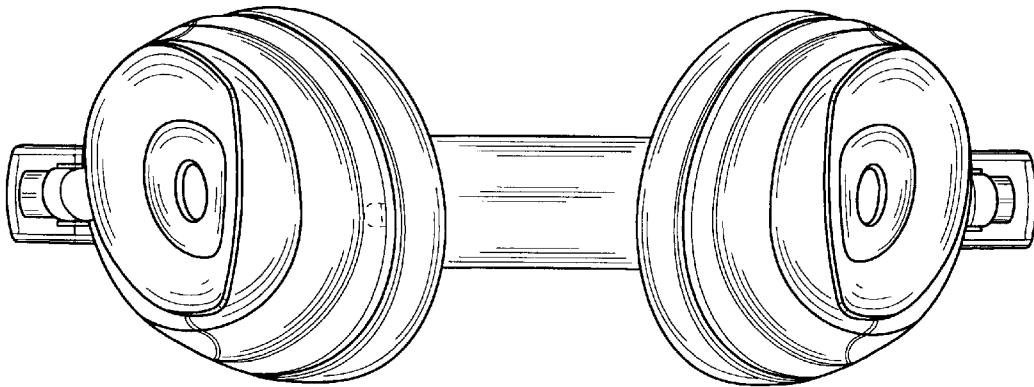


FIG. 7