

(19) World Intellectual Property Organization
International Bureau



(43) International Publication Date
15 May 2003 (15.05.2003)

PCT

(10) International Publication Number
WO 2003/041386 A3

- (51) International Patent Classification⁷: F16M 11/04, 11/40, G06F 1/16
- (21) International Application Number: PCT/US2002/033581
- (22) International Filing Date: 17 October 2002 (17.10.2002)
- (25) Filing Language: English
- (26) Publication Language: English
- (30) Priority Data: 10/035,417 8 November 2001 (08.11.2001) US
- (71) Applicant: APPLE COMPUTER, INC. [US/US]; 1 Infinite Loop, M/S 3-PAT, Cupertino, CA 95014 (US).
- (72) Inventors: JOBS, Steven, P.; 2101 Waverley Street, Palo Alto, CA 94301 (US). IVE, Jonathan; 196 Twin Peaks Boulevard, San Francisco, CA 94114 (US). HILLMAN, Michael, D.; 725 Emory Avenue, Campbell, CA 95008 (US). TSAI, Frank; 7698 Brookwood Drive, Huntington Beach, CA 92648 (US). MCBROOM, Michael, D.; Route 2, Box 83C, Leonard, TX 74552 (US). MCBROOM, Daniel, L.; P.O. Box 181, Leonard, TX 74552 (US). SUDERTH, Brian, T.; P.O. Box 493, Leonard, TX 74552 (US). BRIGHAM, Arthur, S.; 246 Acalenes Avenue, Apt. #11, Sunnyvale, CA 94086 (US). JENSEN, Joel, F.; 426 Northumberland Avenue, Redwood City, CA 94061 (US). BROWNELL, Robert, B., Jr.; 1505 Diamond Head Circle, Decatur, GA 30033 (US). KIM, Sung; 2461 Ramona Street, Palo Alto, CA 94301 (US). MCDONALD, Anwyl, M.; 122 Buckeye Avenue, Oakland, CA 94618

(US). MEAD, Russell, C.; 62 Church Street, Mountain View, CA 94041 (US). MEUNIOT, Arturo; 1135 Stanyan Street, #5, San Francisco, CA 94117 (US). BELTRAN, Jesus; P.O. Box 11943, Stanford, CA 94309 (US). ANDRE, Bartley, K.; 655 14th Avenue, Menlo Park, CA 94025 (US). STRINGER, Christopher, J.; 243 Olympian Way, Pacifica, CA 94044 (US). RICCIO, Daniel, J., Jr.; 433 Hershner Drive, Los Gatos, CA 95032 (US).

(74) Agents: SCHELLER, James, C., Jr. et al.; Blakely, Sokoloff, Taylor & Zafman LLP, 7th floor, 12400 Wilshire Boulevard, Los Angeles, CA 90025 (US).

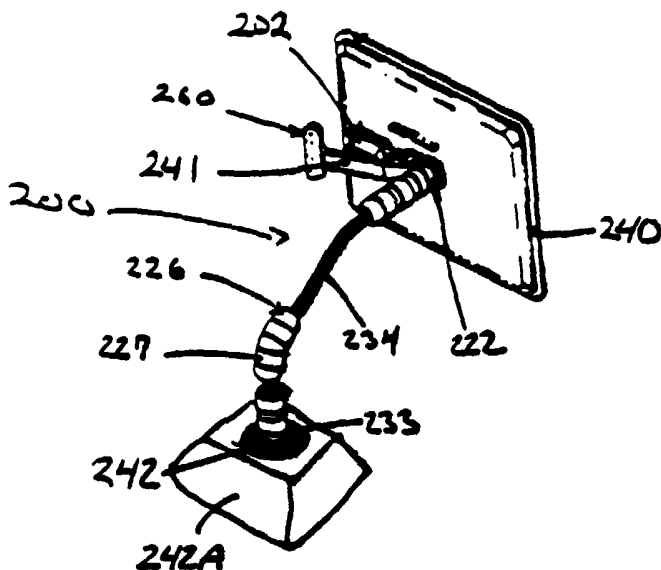
(81) Designated States (national): AE, AG, AL, AM, AT, AU, AZ, BA, BB, BG, BR, BY, BZ, CA, CH, CN, CO, CR, CU, CZ, DE, DK, DM, DZ, EC, EE, ES, FI, GB, GD, GE, GH, GM, HR, HU, ID, IL, IN, IS, JP, KE, KG, KP, KR, KZ, LC, LK, LR, LS, LT, LU, LV, MA, MD, MG, MK, MN, MW, MX, MZ, NO, NZ, OM, PH, PL, PT, RO, RU, SD, SE, SG, SI, SK, SL, TJ, TM, TN, TR, TT, TZ, UA, UG, UZ, VN, YU, ZA, ZM, ZW.

(84) Designated States (regional): ARIPO patent (GH, GM, KE, LS, MW, MZ, SD, SL, SZ, TZ, UG, ZM, ZW), Eurasian patent (AM, AZ, BY, KG, KZ, MD, RU, TJ, TM), European patent (AT, BE, BG, CH, CY, CZ, DE, DK, EE, ES, FI, FR, GB, GR, IE, IT, LU, MC, NL, PT, SE, SK, TR), OAPI patent (BF, BJ, CF, CG, CI, CM, GA, GN, GQ, GW, ML, MR, NE, SN, TD, TG).

Published: — with international search report

[Continued on next page]

(54) Title: COMPUTER CONTROLLED DISPLAY DEVICE



(57) Abstract: The present invention is a computer controlled display device. In one embodiment, the display device includes a flat panel display (240) having an input for receiving display data. Additionally, a moveable assembly (200) may be coupled to the display. The moveable assembly may provide at least three degrees of freedom of movement for the flat panel display device. Additionally, the moveable assembly may have a cross-sectional area, which is substantially less than a cross-sectional area of a display structure of the flat panel display. Additionally, the moveable assembly may include a plurality of stacked ball-and-socket assemblies (226, 227).

WO 2003/041386 A3



(88) Date of publication of the international search report:
5 August 2004

For two-letter codes and other abbreviations, refer to the "Guidance Notes on Codes and Abbreviations" appearing at the beginning of each regular issue of the PCT Gazette.

INTERNATIONAL SEARCH REPORT

International Application No
PCT/US 02/33581

A. CLASSIFICATION OF SUBJECT MATTER
IPC 7 F16M11/04 F16M11/40 G06F1/16

According to International Patent Classification (IPC) or to both national classification and IPC

B. FIELDS SEARCHED

Minimum documentation searched (classification system followed by classification symbols)
IPC 7 F16M G06F G09F H04N

Documentation searched other than minimum documentation to the extent that such documents are included in the fields searched

Electronic data base consulted during the international search (name of data base and, where practical, search terms used)

WPI Data, PAJ, EPO-Internal

C. DOCUMENTS CONSIDERED TO BE RELEVANT

Category *	Citation of document, with indication, where appropriate, of the relevant passages	Relevant to claim No.
X	PATENT ABSTRACTS OF JAPAN vol. 2000, no. 15, 6 April 2001 (2001-04-06) -& JP 2000 338891 A (UCHIDA YOKO CO LTD), 8 December 2000 (2000-12-08) abstract	1-3,42
Y		30,31, 33, 49-51, 64,65, 80,81, 83,84, 86, 92-94, 96-98, 102,126
A	---	47,48, 67,144

Further documents are listed in the continuation of box C.

Patent family members are listed in annex.

* Special categories of cited documents :

"A" document defining the general state of the art which is not considered to be of particular relevance

"E" earlier document but published on or after the international filing date

"L" document which may throw doubts on priority claim(s) or which is cited to establish the publication date of another citation or other special reason (as specified)

"O" document referring to an oral disclosure, use, exhibition or other means

"P" document published prior to the international filing date but later than the priority date claimed

"T" later document published after the international filing date or priority date and not in conflict with the application but cited to understand the principle or theory underlying the invention

"X" document of particular relevance; the claimed invention cannot be considered novel or cannot be considered to involve an inventive step when the document is taken alone

"Y" document of particular relevance; the claimed invention cannot be considered to involve an inventive step when the document is combined with one or more other such documents, such combination being obvious to a person skilled in the art.

"&" document member of the same patent family

Date of the actual completion of the international search

18 February 2003

Date of mailing of the international search report

16. 05. 2003

Name and mailing address of the ISA

European Patent Office, P.B. 5818 Patentlaan 2
NL - 2280 HV Rijswijk
Tel. (+31-70) 340-2040, Tx. 31 651 epo nl,
Fax: (+31-70) 340-3016

Authorized officer

Baron, C

INTERNATIONAL SEARCH REPORT

International Application No
PCT/US 02/33581

C.(Continuation) DOCUMENTS CONSIDERED TO BE RELEVANT		
Category °	Citation of document, with indication, where appropriate, of the relevant passages	Relevant to claim No.
Y	US 3 584 822 A (ORAM JOHN A) 15 June 1971 (1971-06-15)	30,31, 33, 49-51, 64,65, 80,81, 83,84, 86, 92-94, 96-98, 102,126, 167-169, 171
A	the whole document	1-5,10, 13,15, 27,29, 47,48, 62,69, 72,74, 75,79, 87,89, 104,107, 109,129, 132,138, 144,145, 147,149, 155-159, 163
X	--- DE 295 06 433 U (MEIER HANS BERND) 31 August 1995 (1995-08-31) the whole document	42,44, 45,66
A		126,128, 144,154, 177
X	--- JP 2001 042779 A (TOSHIBA CORP) 16 February 2001 (2001-02-16) figure 8	42-44, 142
Y		167-169, 171
A		126-128, 144,150, 154,177
P,X	-& US 6 381 125 B1 (TOSHIBA) 30 April 2002 (2002-04-30) column 8, line 45 -column 9, line 33; figure 8 --- -/--	

INTERNATIONAL SEARCH REPORT

International Application No
PCT/US 02/33581

C.(Continuation) DOCUMENTS CONSIDERED TO BE RELEVANT

Category *	Citation of document, with indication, where appropriate, of the relevant passages	Relevant to claim No.
X A	US 5 842 672 A (GONNERMAN MICHAEL D ET AL) 1 December 1998 (1998-12-01) column 12, line 13 -column 13, line 22; figures 2,20-24 ---	42-44 126,128, 144,145, 154,177
X A	US 6 104 443 A (ADCOCK DAVID ET AL) 15 August 2000 (2000-08-15) column 1, line 36 - line 39 column 3, line 16 - line 65; figures 1-3 ---	66,78 92-94, 97,144, 151,173
A	WO 00 75458 A (ACCURIDE INT INC) 14 December 2000 (2000-12-14) page 10, line 4-19; figures 14,15 -----	1-4,30, 47,48, 64,65, 67,78, 83,84, 93,97, 102,144

INTERNATIONAL SEARCH REPORT

International application No.
PCT/US 02/33581

Box I Observations where certain claims were found unsearchable (Continuation of item 1 of first sheet)

This International Search Report has not been established in respect of certain claims under Article 17(2)(a) for the following reasons:

1. Claims Nos.:
because they relate to subject matter not required to be searched by this Authority, namely:

2. Claims Nos.:
because they relate to parts of the International Application that do not comply with the prescribed requirements to such an extent that no meaningful International Search can be carried out, specifically:

3. Claims Nos.:
because they are dependent claims and are not drafted in accordance with the second and third sentences of Rule 6.4(a).

Box II Observations where unity of invention is lacking (Continuation of item 2 of first sheet)

This International Searching Authority found multiple inventions in this international application, as follows:

see additional sheet

1. As all required additional search fees were timely paid by the applicant, this International Search Report covers all searchable claims.
2. As all searchable claims could be searched without effort justifying an additional fee, this Authority did not invite payment of any additional fee.
3. As only some of the required additional search fees were timely paid by the applicant, this International Search Report covers only those claims for which fees were paid, specifically claims Nos.:
4. No required additional search fees were timely paid by the applicant. Consequently, this International Search Report is restricted to the invention first mentioned in the claims; it is covered by claims Nos.:

1-177

Remark on Protest

- The additional search fees were accompanied by the applicant's protest.
- No protest accompanied the payment of additional search fees.

FURTHER INFORMATION CONTINUED FROM PCT/ISA/ 210

This International Searching Authority found multiple (groups of) inventions in this international application, as follows:

1. Claims: 1-177

1.1. Claims: 1- 29, 30 - 41, 42 - 48, 66 - 79, 159 -162,
163 - 166

Use of a stacked ball and socket assembly to support a display device

1.2. Claims: 49 - 65, 142 - 158, 167 - 177
Actuator assembly for display mount

1.3. Claims: 80 - 91, 92 - 141
Anti-torsion device within the moveable assembly

2. Claims: 178-188

a counter-balancing spring assembly housed within said moveable assembly

Please note that all inventions mentioned under item 1, although not necessarily linked by a common inventive concept, could be searched without effort justifying an additional fee.

INTERNATIONAL SEARCH REPORT

Information on patent family members

International Application No

PCT/US 02/33581

Patent document cited in search report	A	Publication date	Patent family member(s)	Publication date
JP 2000338891	A	08-12-2000	NONE	
US 3584822	A	15-06-1971	DE 1909716 A1 FR 1597164 A GB 1251833 A JP 49028387 B	25-09-1969 22-06-1970 03-11-1971 25-07-1974
DE 29506433	U	31-08-1995	DE 29506433 U1	31-08-1995
JP 2001042779	A	16-02-2001	US 6381125 B1	30-04-2002
US 5842672	A	01-12-1998	AU 744414 B2 AU 6281198 A EP 0901596 A1 JP 2001523321 T US 5924665 A US 5967479 A US 5918841 A US 5992809 A US 6015120 A US 5947429 A WO 9746824 A1 US 2003001057 A1 US 6419196 B1 US 6019332 A	21-02-2002 16-11-1999 17-03-1999 20-11-2001 20-07-1999 19-10-1999 06-07-1999 30-11-1999 18-01-2000 07-09-1999 11-12-1997 02-01-2003 16-07-2002 01-02-2000
US 6104443	A	15-08-2000	NONE	
WO 0075458	A	14-12-2000	WO 0075458 A1 US 6481683 B1	14-12-2000 19-11-2002