



US00D407302S

United States Patent [19]
Lawson

[11] **Patent Number: Des. 407,302**
[45] **Date of Patent: **Mar. 30, 1999**

[54] **SUPPLEMENTAL RESTRAINT SYSTEM (SRS) ANTI-THEFT FASTENER**

4,618,299	10/1986	Bainbridge et al.	411/374
4,648,293	3/1987	McCauley	81/436
4,664,000	5/1987	Bainbridge	81/451
5,366,330	11/1994	Cosenza	411/407

[75] Inventor: **William R. Lawson**, Glenside, Pa.

[73] Assignee: **R & B, Inc.**, Colmar, Pa.

[**] Term: **14 Years**

[21] Appl. No.: **71,012**

[22] Filed: **May 15, 1997**

FOREIGN PATENT DOCUMENTS

954633	12/1949	France	411/403
--------	---------	--------	---------

OTHER PUBLICATIONS

Machine Design—Fastener Issue; p. 311; bolt (attached in an enlargement of bolt), Mar. 21, 1963.

Primary Examiner—B. J. Bullock
Attorney, Agent, or Firm—Volpe and Koenig, P.C.

Related U.S. Application Data

[62] Division of Ser. No. 51,953, Mar. 20, 1996.

[51] **LOC (6) Cl.** **08-08**

[52] **U.S. Cl.** **D8/387**

[58] **Field of Search** D8/387; 411/378,
411/402, 403, 410, 911

[57] **CLAIM**
The ornamental design for a supplemental restraint system (SRS) anti-theft fastener, as shown and described.

DESCRIPTION

FIG. 1 is a perspective view of a supplemental restraint system anti-theft fastener;
FIG. 2 is a front elevational view thereof;
FIG. 3 is a top plan view thereof; and,
FIG. 4 is a bottom plan view thereof.

[56] **References Cited**

U.S. PATENT DOCUMENTS

3,134,292	5/1964	Walton	411/403
3,241,408	3/1966	McCauley	81/71
3,331,274	7/1967	Walton	411/403
4,285,255	8/1981	Winfrey	81/451

1 Claim, 1 Drawing Sheet

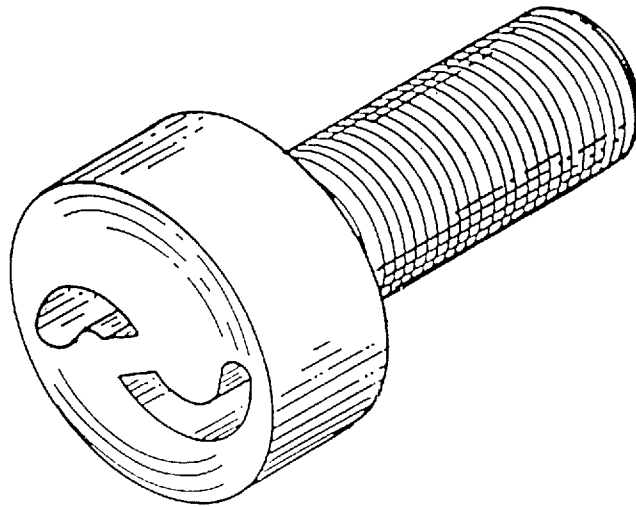


Fig. 1

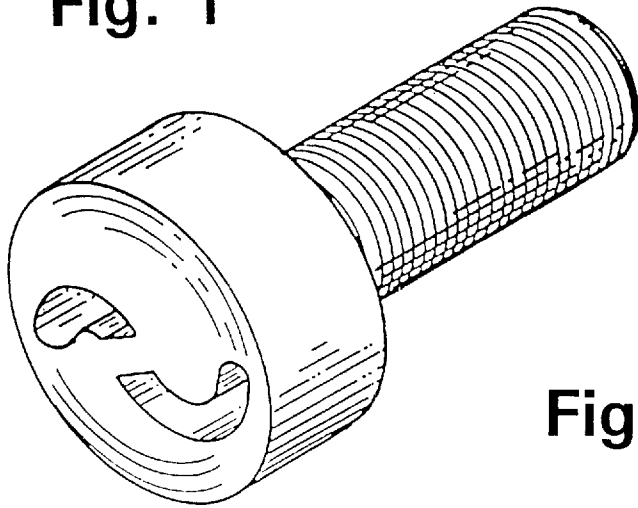


Fig. 3

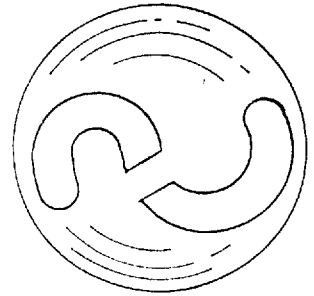


Fig. 2

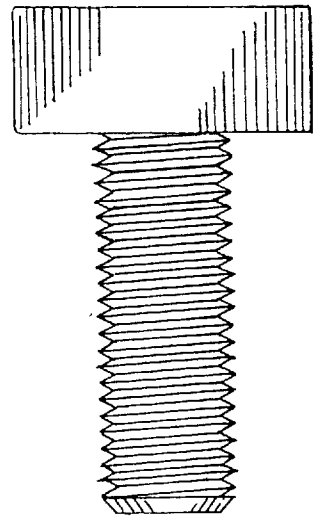


Fig. 4

