



US00D850454S

(12) **United States Design Patent**  
**Kim et al.**

(10) **Patent No.:** **US D850,454 S**

(45) **Date of Patent:** **\*\* Jun. 4, 2019**

(54) **DEVICE CASE**

(71) Applicant: **Pioneer Square Brands, Inc.**, Seattle, WA (US)

(72) Inventors: **Michael Heecheol Kim**, Seattle, WA (US); **Michael Cooper Ferren**, Camas, WA (US)

(73) Assignee: **PIONEER SQUARE BRANDS, INC.**, McLean, VA (US)

(\*\*) Term: **15 Years**

(21) Appl. No.: **29/634,493**

(22) Filed: **Jan. 22, 2018**

(51) **LOC (11) Cl.** ..... **14-02**

(52) **U.S. Cl.**  
USPC ..... **D14/440**

(58) **Field of Classification Search**  
USPC ..... D14/440; 206/45.23, 320, 45.2;  
361/679.55; 294/25; 224/218  
CPC ..... G06F 1/626; H04B 1/3555; H05K 5/0217  
See application file for complete search history.

(56) **References Cited**

**U.S. PATENT DOCUMENTS**

D685,357 S *	7/2013	Rekuc	.....	D14/250
D689,851 S *	9/2013	Chang	.....	D14/250
D716,280 S *	10/2014	Macrina	.....	D14/250
D719,145 S *	12/2014	Barfoot	.....	D14/250
D721,370 S *	1/2015	Barfoot	.....	D14/400
D731,494 S *	6/2015	Barfoot	.....	D14/440
D733,154 S *	6/2015	Armstrong	.....	D14/440
D745,505 S *	12/2015	Barfoot	.....	D14/250
D745,525 S *	12/2015	Bates	.....	D14/440
D766,249 S *	9/2016	Veltz	.....	D14/440
D782,460 S *	3/2017	Bertrand	.....	D14/250
D795,880 S *	8/2017	Akana	.....	D14/440

D795,881 S *	8/2017	Akana	.....	D14/440
D800,105 S *	10/2017	Roberts	.....	D14/250
D808,395 S *	1/2018	Fenton	.....	D14/440
D817,334 S *	5/2018	Fenton	.....	D14/440
D825,571 S *	8/2018	Shannon, III	.....	D14/440
D829,721 S *	10/2018	Zhang	.....	D14/440
D841,013 S *	2/2019	Ferren	.....	D14/440
2015/0068934 A1*	3/2015	Armstrong	.....	A45C 11/00 206/320
2017/0045920 A1*	2/2017	Armstrong	.....	G06F 1/1669

\* cited by examiner

*Primary Examiner* — Cynthia R Underwood

(74) *Attorney, Agent, or Firm* — Grandview Law

(57) **CLAIM**

The ornamental design for a device case, as shown and described.

**DESCRIPTION**

FIG. 1 is a front perspective view of a first embodiment thereof.

FIG. 2 is a front plan view thereof.

FIG. 3 is a rear plan view thereof.

FIG. 4 is a top elevational view thereof.

FIG. 5 is a bottom elevational view thereof.

FIG. 6 is a left elevational view thereof.

FIG. 7 is a right elevational view thereof.

FIG. 8 is a front perspective view of a second embodiment thereof.

FIG. 9 is a front plan view thereof.

FIG. 10 is a rear plan view thereof.

FIG. 11 is a top elevational view thereof.

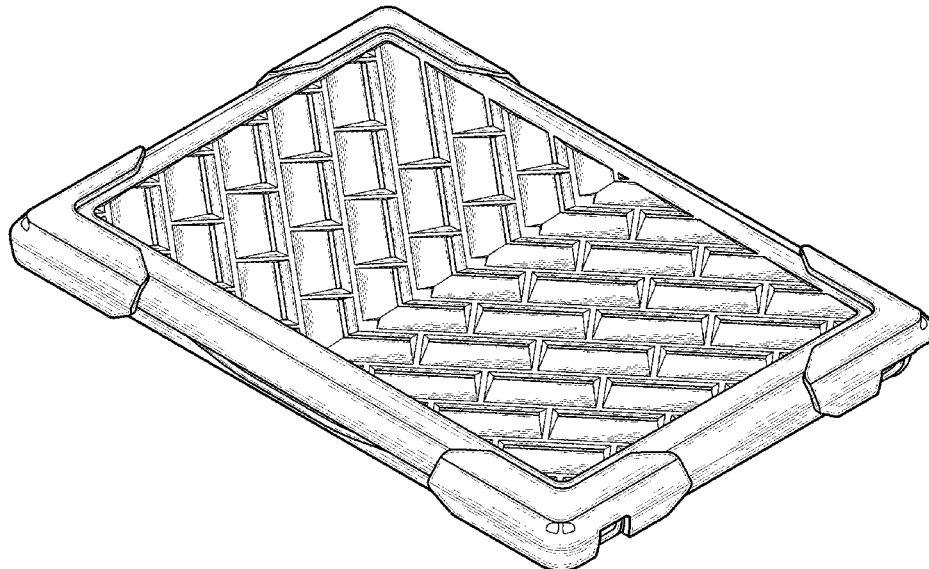
FIG. 12 is a bottom elevational view thereof.

FIG. 13 is a left elevational view thereof; and,

FIG. 14 is a right elevational view thereof.

The features shown in broken lines in the drawing figures depict features that form no part of the claimed design.

**1 Claim, 6 Drawing Sheets**



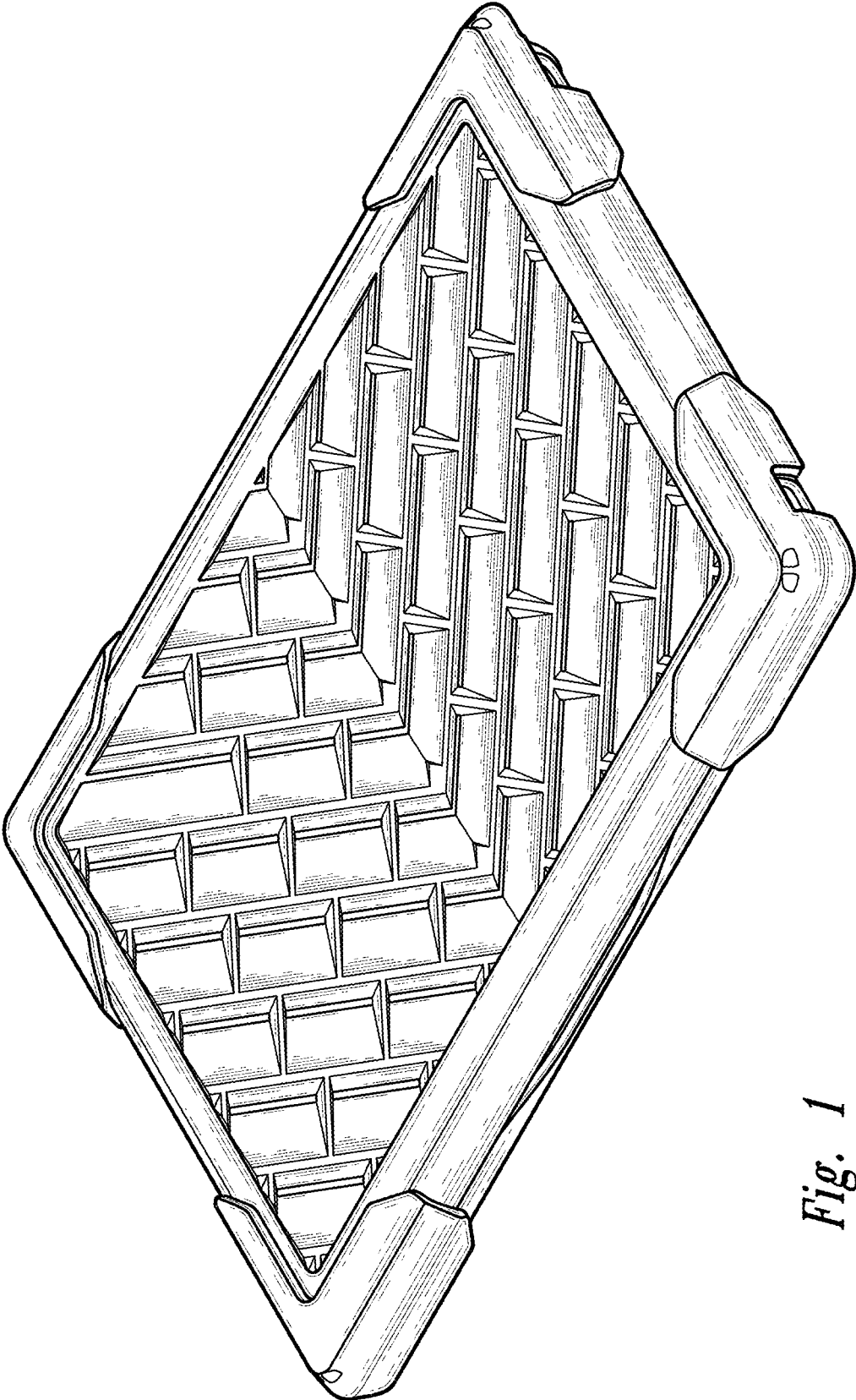
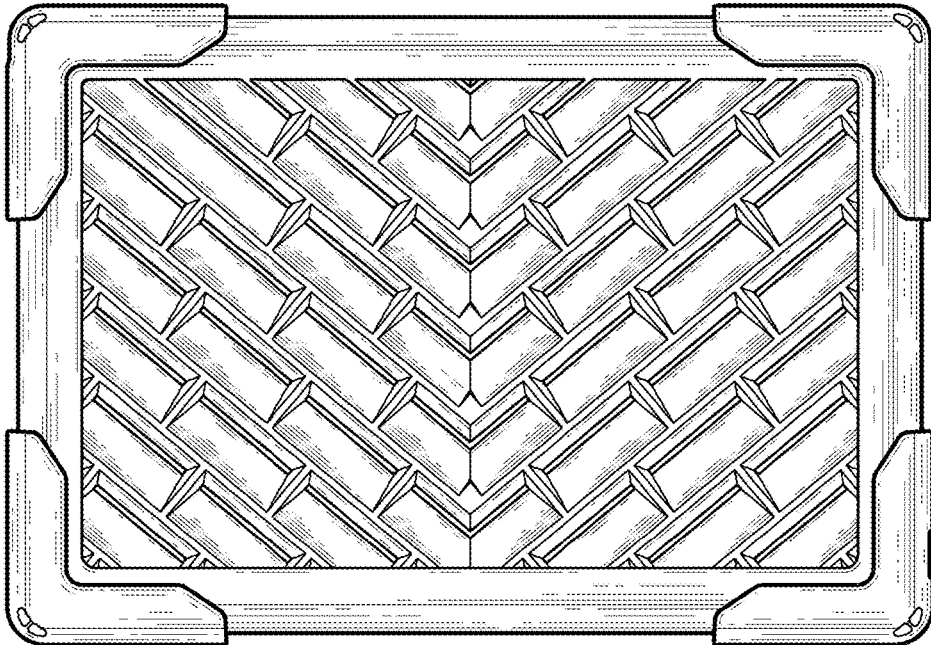
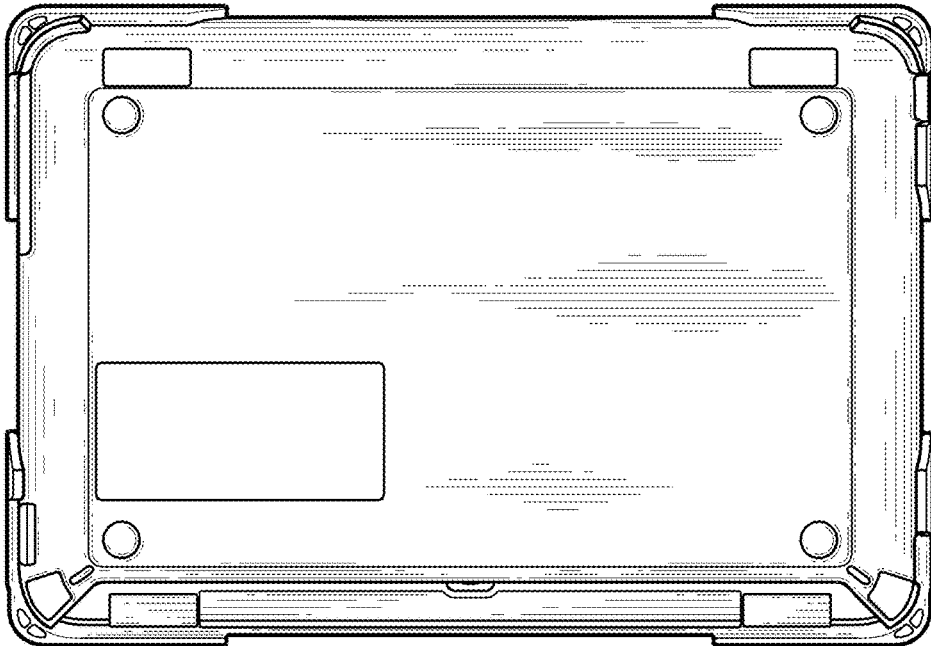


Fig. 1



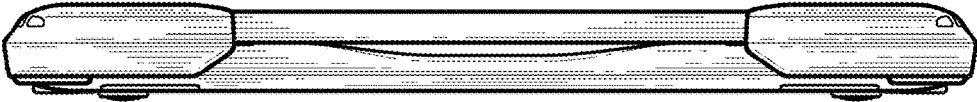
*Fig. 2*



*Fig. 3*

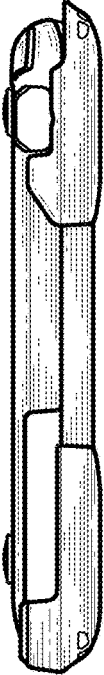


*Fig. 4*

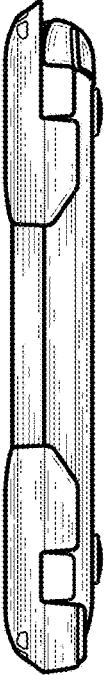


*Fig. 5*

*Fig. 6*



*Fig. 7*



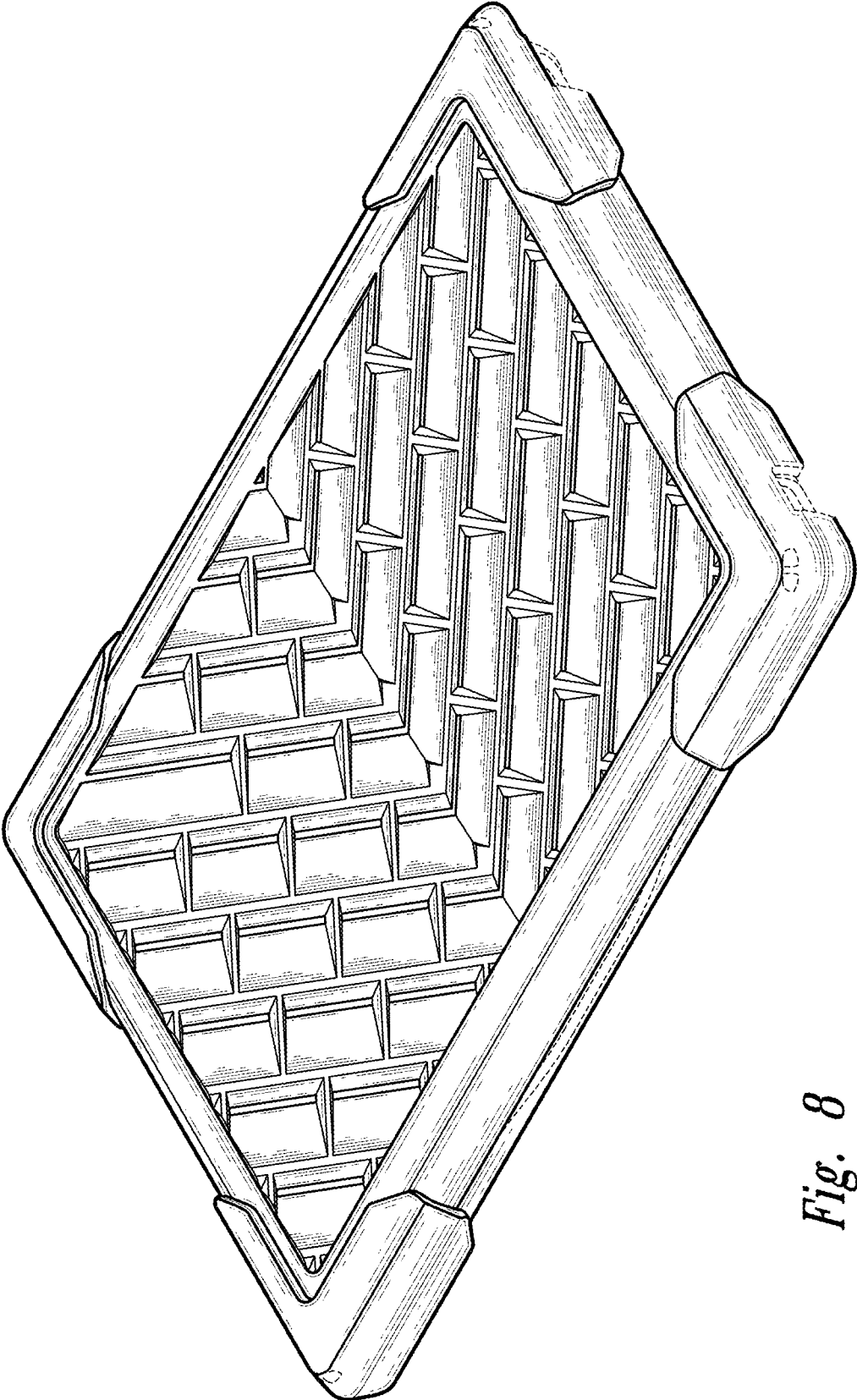
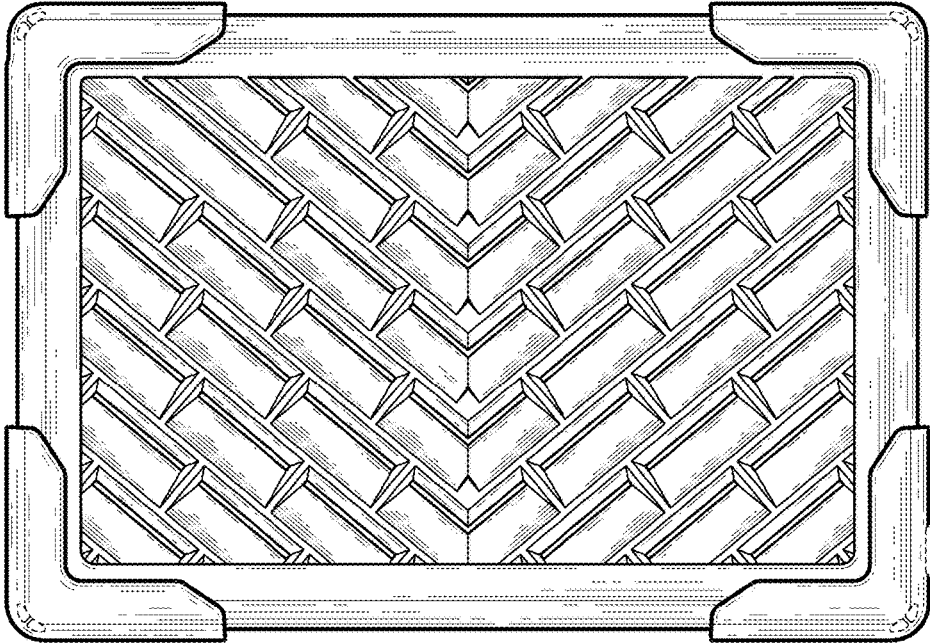
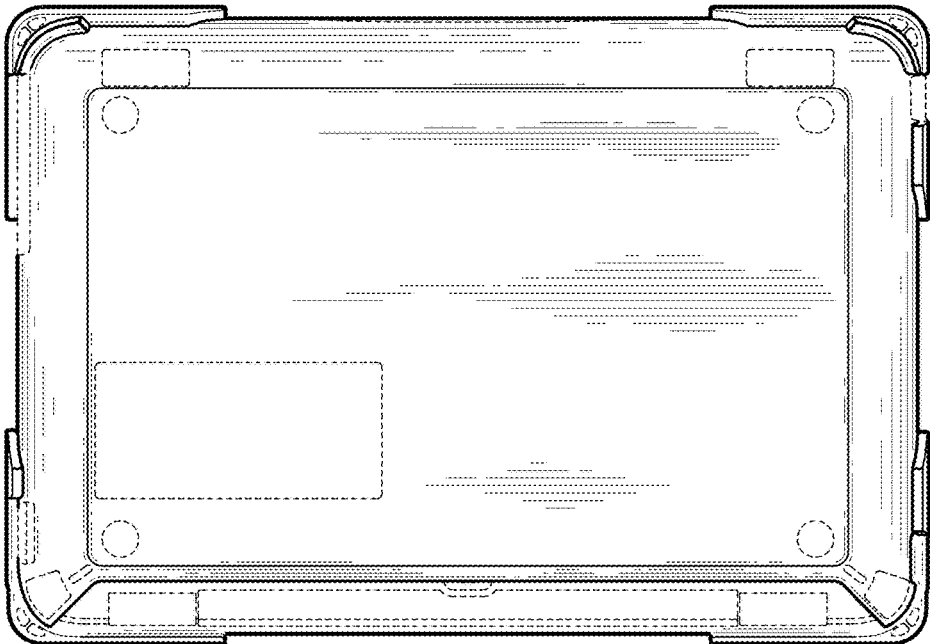


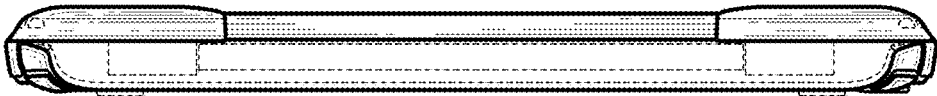
Fig. 8



*Fig. 9*



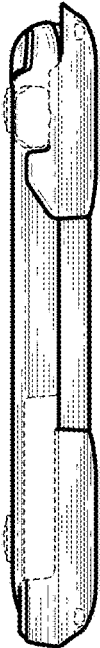
*Fig. 10*



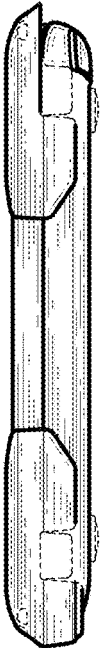
*Fig. 11*



*Fig. 12*



*Fig. 13*



*Fig. 14*