

(19) World Intellectual Property Organization  
International Bureau



(43) International Publication Date  
31 July 2008 (31.07.2008)

PCT

(10) International Publication Number  
**WO 2008/091932 A3**

(51) International Patent Classification:  
A63B 69/36 (2006.01)

(21) International Application Number:  
PCT/US2008/051775

(22) International Filing Date: 23 January 2008 (23.01.2008)

(25) Filing Language: English

(26) Publication Language: English

(30) Priority Data:  
11/626,348 23 January 2007 (23.01.2007) US

(71) Applicant and

(72) Inventor: GUTIERREZ, Ernesto [US/US]; 31520 Ave. El Pueblo, Cathedral City, CA 92234 (US).

(74) Agent: LOZA, Julio; Loza & Loza LLP, 305 N. Second Ave. #127, Upland, CA 91786-6064 (US).

(81) Designated States (unless otherwise indicated, for every kind of national protection available): AE, AG, AL, AM,

AO, AT, AU, AZ, BA, BB, BG, BH, BR, BW, BY, BZ, CA, CH, CN, CO, CR, CU, CZ, DE, DK, DM, DO, DZ, EC, EE, EG, ES, FI, GB, GD, GE, GH, GM, GT, HN, HR, HU, ID, IL, IN, IS, JP, KE, KG, KM, KN, KP, KR, KZ, LA, LC, LK, LR, LS, LT, LU, LY, MA, MD, ME, MG, MK, MN, MW, MX, MY, MZ, NA, NG, NI, NO, NZ, OM, PG, PH, PL, PT, RO, RS, RU, SC, SD, SE, SG, SK, SL, SM, SV, SY, TJ, TM, TN, TR, TT, TZ, UA, UG, US, UZ, VC, VN, ZA, ZM, ZW

(84) Designated States (unless otherwise indicated, for every kind of regional protection available): ARIPO (BW, GH, GM, KE, LS, MW, MZ, NA, SD, SL, SZ, TZ, UG, ZM, ZW), Eurasian (AM, AZ, BY, KG, KZ, MD, RU, TJ, TM), European (AT, BE, BG, CH, CY, CZ, DE, DK, EE, ES, FI, FR, GB, GR, HR, HU, IE, IS, IT, LT, LU, LV, MC, MT, NL, NO, PL, PT, RO, SE, SI, SK, TR), OAPI (BF, BJ, CF, CG, CI, CM, GA, GN, GQ, GW, ML, MR, NE, SN, TD, TG).

Published:  
— with international search report

(88) Date of publication of the international search report:  
16 October 2008

(54) Title: WEIGHTED TRAINER GOLF CLUB

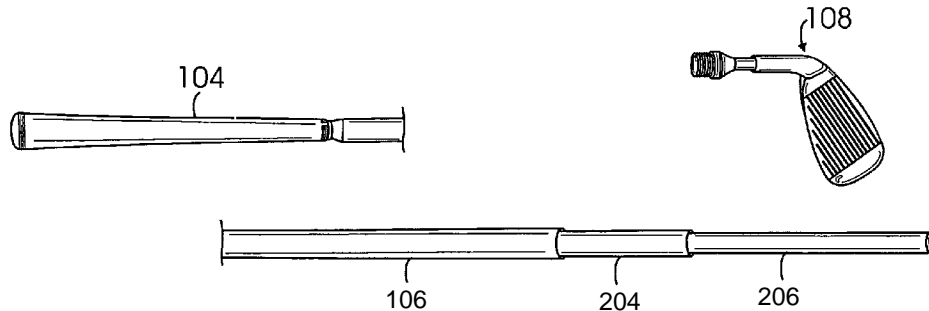
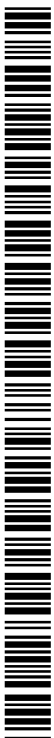


FIG. 2

(57) Abstract: A trainer golf club is provided having a hollowed shaft with a plurality of concentric weights extending along the length of the shaft for endurance training. The concentric weights may be added or removed to obtain a desired training weight for the golf club. Since the weights extend along the length of the shaft, their weight is substantially evenly distributed along the shaft which keeps the center of gravity of the trainer golf club substantially the same as that of a conventional golf club. Interchangeable golf club heads are provided that couple to one end of the trainer golf club to enable hitting golf balls. By providing multiple different types of golf club heads, the trainer golf club may be customized. Moreover, different size club heads may be coupled to a single shaft to enable a golfer to carry a set of clubs in a small, compact package.



WO 2008/091932 A3

**INTERNATIONAL SEARCH REPORT**

International application No  
PCT/US2008/051775

**A CLASSIFICATION OF SUBJECT MATTER**  
IPC(8) - A63B 69/36 (2008.04)  
**USPC - 473/256**  
According to International Patent Classification (IPC) or to both national classification and IPC

**B FIELDS SEARCHED**

Minimum documentation searched (classification system followed by classification symbols)  
IPC(8) - A63B 15/00, 53/00, 53/02, 53/04, 53/06, 69/36 (2008 04)  
USPC - 273/108, 108 2, 108 2.1, 317, 317 2, 473/207, 212, 213, 219, 226, 229, 231, 232, 238, 239, 242, 244, 245, 247, 256, 282, et al

Documentation searched other than minimum documentation to the extent that such documents are included in the fields searched

Electronic data base consulted during the international search (name of data base and, where practicable, search terms used)  
PatBase

**C DOCUMENTS CONSIDERED TO BE RELEVANT**

Category*	Citation of document, with indication, where appropriate, of the relevant passages	Relevant to claim No
X	US 4,340,227 A (DOPKOWSKI) 20 July 1982 (20 07 1982) entire document	11-13, 16, 18-19
Y		1-10, 14-15, 17
Y	US 2005/0096159 A1 (HOUSTON et al) 05 May 2005 (05 05 2005) entire document	1-10, 14-15
Y	CA 2,102,067 A1 (SENIUK) 30 April 1995 (30 04 1995) entire document	2
Y	US 6,558,269 B1 (MCBEE) 06 May 2003 (06 05 2003) entire document	9
Y	US 3,829,092 A (ARKIN) 13 August 1974 (13 08 1974) entire document	17

**D** Further documents are listed in the continuation of Box C

* Special categories of cited documents	"T" later document published after the international filing date or priority date and not in conflict with the application but cited to understand the principle or theory underlying the invention
"A" document defining the general state of the art which is not considered to be of particular relevance	"X" document of particular relevance, the claimed invention cannot be considered novel or cannot be considered to involve an inventive step when the document is taken alone
"E" earlier application or patent but published on or after the international filing date	"Y" document of particular relevance, the claimed invention cannot be considered to involve an inventive step when the document is combined with one or more other such documents, such combination being obvious to a person skilled in the art
"L" document which may throw doubts on priority claim(s) or which is cited to establish the publication date of another citation or other special reason (as specified)	"&" document member of the same patent family
"O" document referring to an oral disclosure, use, exhibition or other means	
"P" document published prior to the international filing date but later than the priority date claimed	

Date of the actual completion of the international search 14 July 2008	Date of mailing of the international search report <b>23 JUL 2008</b>
---	--

Name and mailing address of the ISA/US Mail Stop PCT, Attn ISA/US, Commissioner for Patents P O Box 1450, Alexandria, Virginia 22313-1450 Facsimile No 571-273-3201	Authorized officer Blaine R Copenheaver  PCT Halpd [sk- 571-272-4300 PCTOSP 571-272-7774
--	--