



US00D695431S

(12) **United States Design Patent**  
**Lay**

(10) **Patent No.:** **US D695,431 S**

(45) **Date of Patent:** **\*\* Dec. 10, 2013**

(54) **LAMP**

(71) Applicant: **Cree, Inc.**, Durham, NC (US)

(72) Inventor: **James Michael Lay**, Apex, NC (US)

(73) Assignee: **Cree, Inc.**, Durham, NC (US)

(\*\*) Term: **14 Years**

(21) Appl. No.: **29/449,880**

(22) Filed: **Mar. 15, 2013**

(51) **LOC (9) Cl.** ..... **26-04**

(52) **U.S. Cl.**  
USPC ..... **D26/2**

(58) **Field of Classification Search**  
USPC ..... D26/1-4; 313/313, 315, 316, 317, 318,  
313/493; 315/52, 53, 56, 57, 58  
See application file for complete search history.

(56) **References Cited**

U.S. PATENT DOCUMENTS

D610,722 S *	2/2010	Bi	.....	D26/2
D626,260 S *	10/2010	Wei	.....	D26/2
D628,319 S *	11/2010	Yoshinobu et al.	.....	D26/2
D629,129 S *	12/2010	Lin et al.	.....	D26/2

D630,347 S *	1/2011	Pei et al.	.....	D26/2
D630,775 S *	1/2011	Pan	.....	D26/2
D631,577 S *	1/2011	Yoshinobu et al.	.....	D26/2
D646,406 S *	10/2011	Tsai et al.	.....	D26/2
D679,843 S *	4/2013	Hsu et al.	.....	D26/2

\* cited by examiner

*Primary Examiner* — Marcus Jackson

(74) *Attorney, Agent, or Firm* — McCracken & Frank LLC

(57) **CLAIM**

The ornamental design for a lamp, as shown and described herein.

**DESCRIPTION**

FIG. 1 is an isometric view of a top, front, and left side of an ornamental design for a lamp;  
FIG. 2 is a front elevational view of the lamp of FIG. 1, the right side, left side, and rear elevational views of such lamp being identical thereto;  
FIG. 3 is a top plan view of the lamp of FIG. 1; and,  
FIG. 4 is a bottom plan view of the lamp of FIG. 1.  
The subject matter shown in dashed lines is for illustrative purposes only and forms no part of the claimed invention.

**1 Claim, 4 Drawing Sheets**

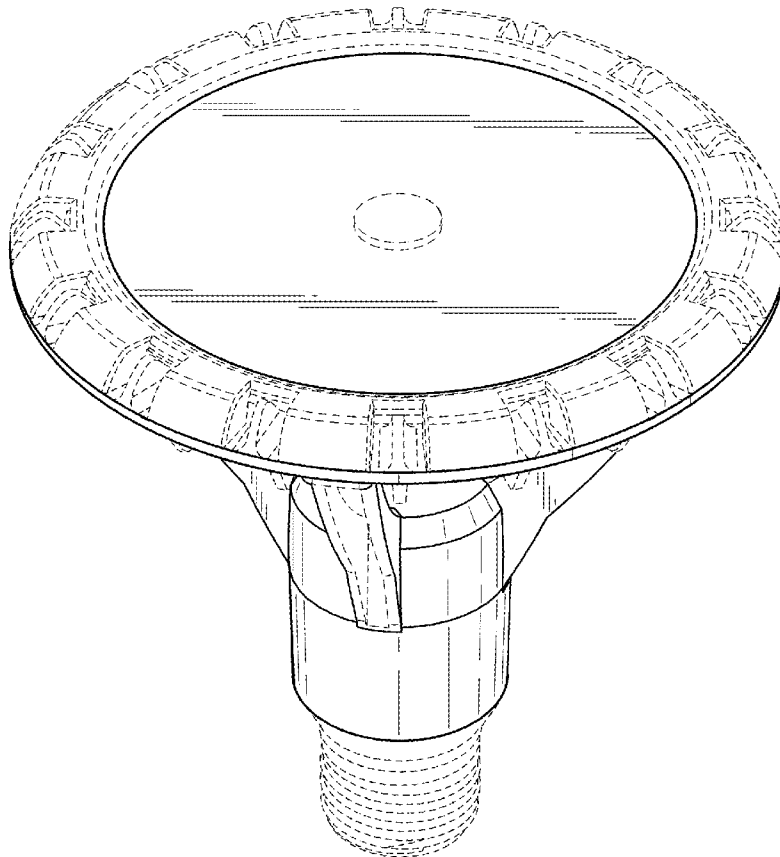


FIG. 1

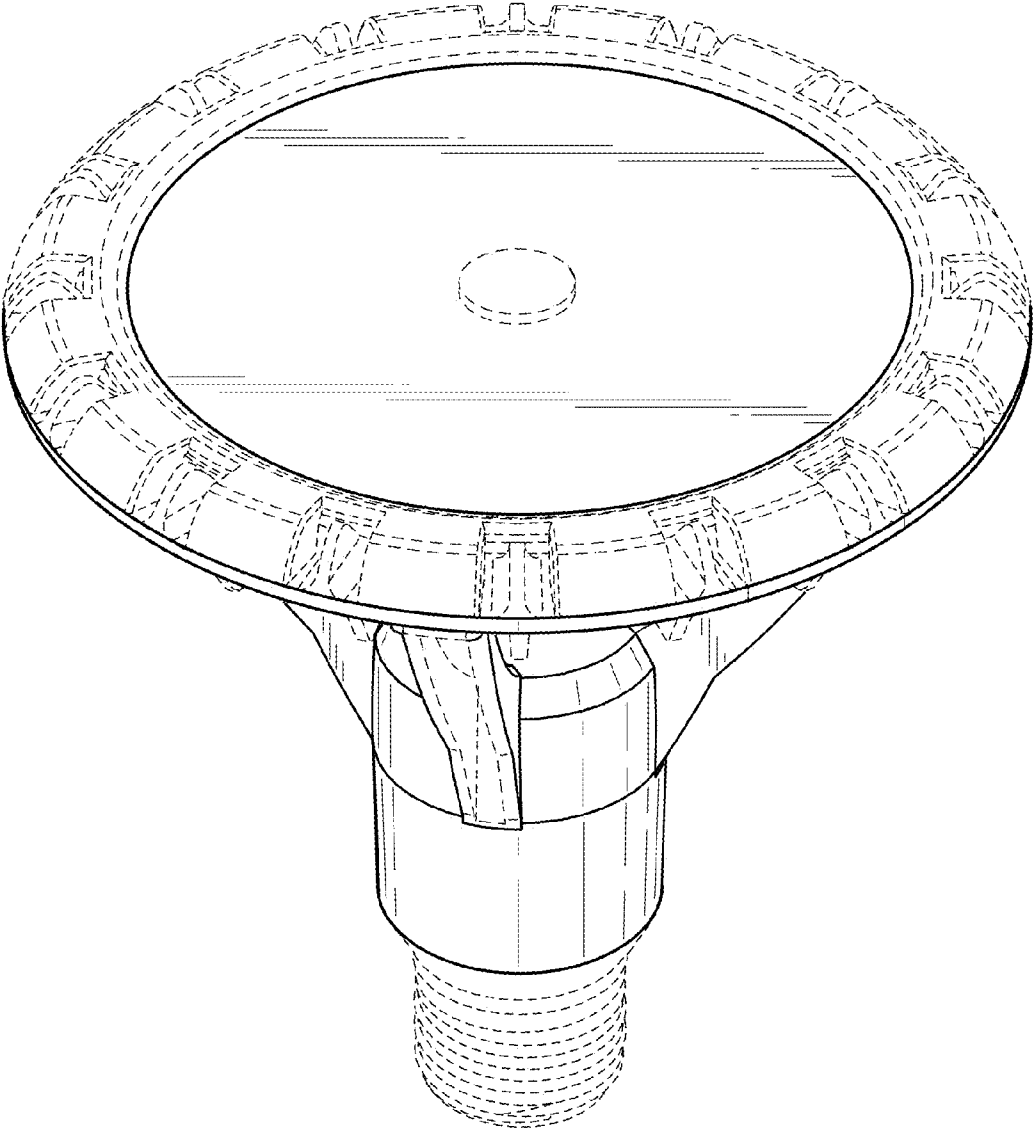


FIG. 2

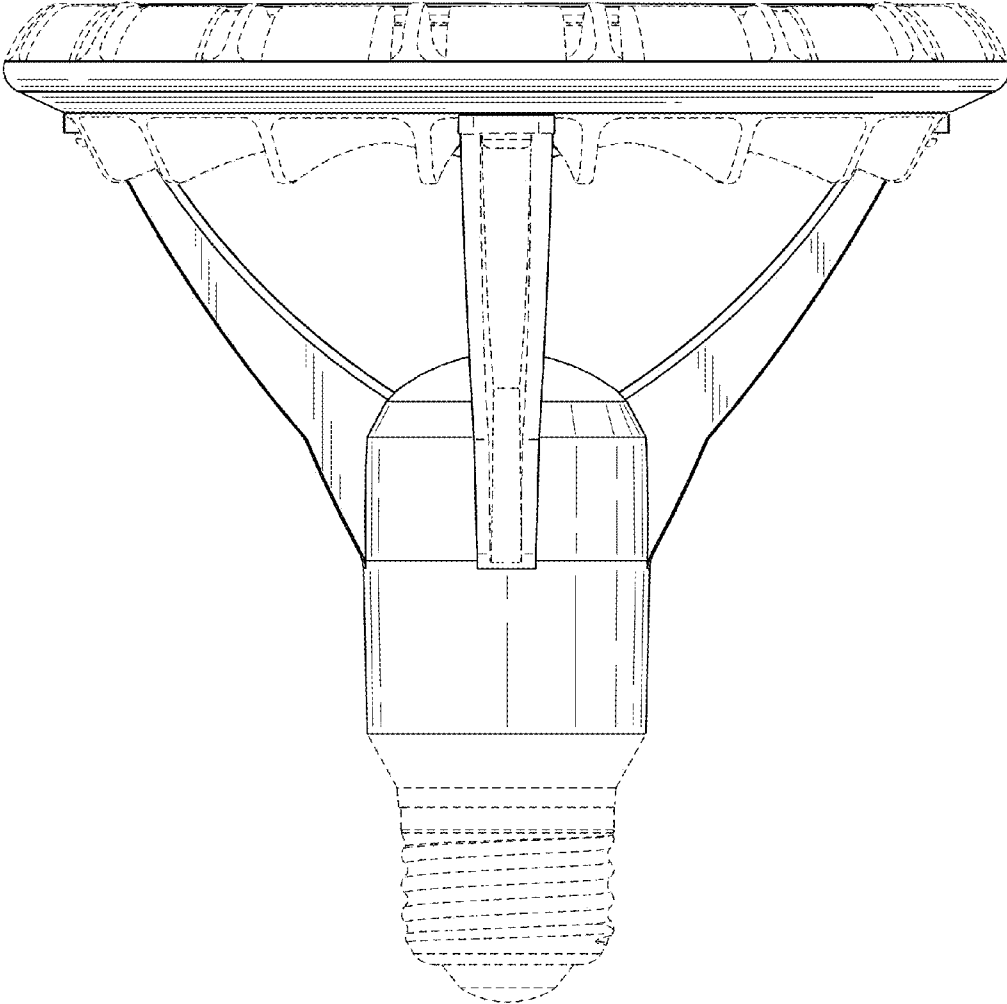


FIG. 3

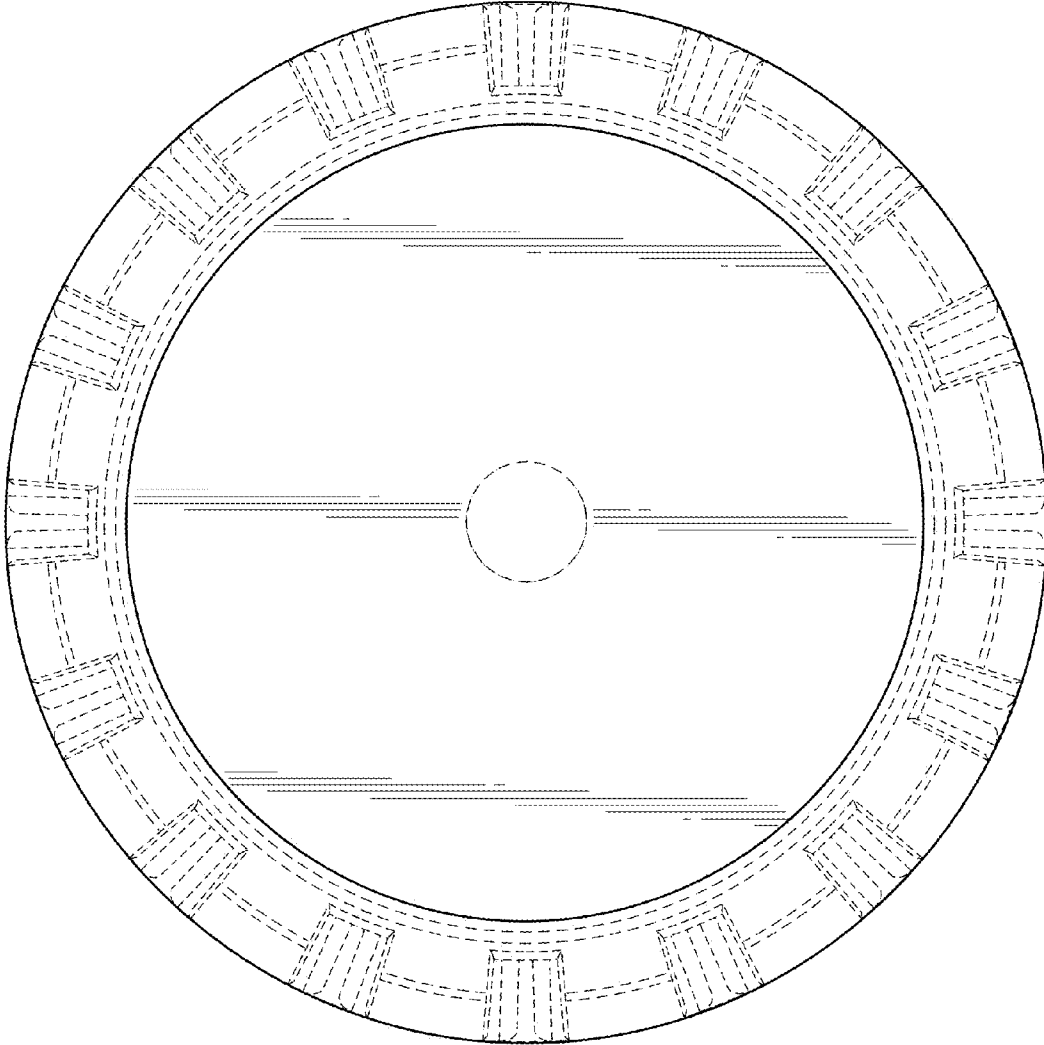


FIG. 4

