



US0D1026890S

(12) **United States Design Patent**  
**Szabo**

(10) **Patent No.:** **US D1,026,890 S**

(45) **Date of Patent:** **\*\* May 14, 2024**

(54) **COMBINED PHONE STAND AND RING HOLDER**

(71) Applicant: **Miklos Laszlo Szabo**, Pittsburgh, PA (US)

(72) Inventor: **Miklos Laszlo Szabo**, Pittsburgh, PA (US)

(\*\*) Term: **15 Years**

(21) Appl. No.: **29/792,751**

(22) Filed: **Apr. 21, 2022**

(51) **LOC (14) Cl.** ..... **14-03**

(52) **U.S. Cl.**

USPC ..... **D14/252; D6/682**

(58) **Field of Classification Search**

USPC ..... D14/250-253, 217, 447; D6/682, 512; D3/903

(Continued)

(56) **References Cited**

**U.S. PATENT DOCUMENTS**

D111,104 S \* 8/1938 Arbib ..... D9/431  
D246,146 S \* 10/1977 Han ..... D6/670

(Continued)

**FOREIGN PATENT DOCUMENTS**

CN 307151117 \* 3/2022

**OTHER PUBLICATIONS**

3 Piece Tiered Wood Pyramid Ring Stand Display, date not known, retrieved Sep. 15, 2023, retrieved from the internet URL: < <https://jpidisplay.com/products/3-piece-tiered-wood-pyramid-ring-stand-display> > (Year: 2023).\*

(Continued)

*Primary Examiner* — Janice Hallmark  
*Assistant Examiner* — Rodolfo Castro, Jr.

(74) *Attorney, Agent, or Firm* — K&L Gates LLP

(57) **CLAIM**

The ornamental design for a combined phone stand and ring holder, as shown and described.

**DESCRIPTION**

FIG. 1 is a perspective view of a combined phone stand and ring holder according to a first embodiment;

FIG. 2 is a front elevation view of the combined phone stand and ring holder of FIG. 1.

FIG. 3 is a rear elevation view of the combined phone stand and ring holder of FIG. 1.

FIG. 4 is a top plan view of the combined phone stand and ring holder of FIG. 1.

FIG. 5 is a bottom plan view of the combined phone stand and ring holder of FIG. 1.

FIG. 6 is a right elevation view of the combined phone stand and ring holder of FIG. 1.

FIG. 7 is a left elevation view of the combined phone stand and ring holder of FIG. 1.

FIG. 8 is the combined phone stand and ring holder of FIG. 1 holding a phone in an upright orientation.

FIG. 9 is the combined phone stand and ring holder of FIG. 1 holding a phone in a sideways orientation.

FIG. 10 is the combined phone stand and ring holder of FIG. 1 holding a ring.

FIG. 11 is a perspective view of a combined phone stand and ring holder according to a second embodiment;

FIG. 12 is a rear elevation view of the combined phone stand and ring holder of FIG. 11.

FIG. 13 is a front elevation view of the combined phone stand and ring holder of FIG. 11.

FIG. 14 is a top plan view of the combined phone stand and ring holder of FIG. 11.

FIG. 15 is a bottom plan view of the combined phone stand and ring holder of FIG. 11.

FIG. 16 is a right elevation view of the combined phone stand and ring holder of FIG. 11.

FIG. 17 is a left elevation view of the combined phone stand and ring holder of FIG. 11.

FIG. 18 is the combined phone stand and ring holder of FIG. 11 holding a phone in an upright orientation.

(Continued)

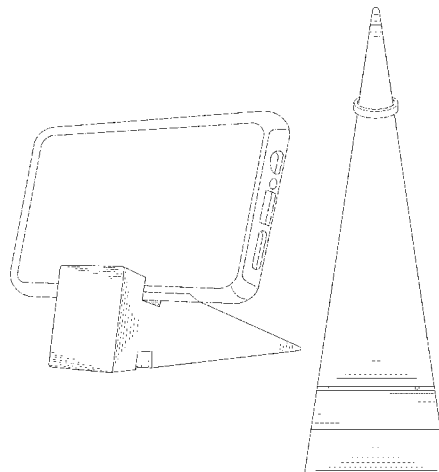


FIG. 19 is the combined phone stand and ring holder of FIG. 11 holding a phone in a sideways orientation; and, FIG. 20 is the combined phone stand and ring holder of FIG. 11 holding a ring.  
Broken lines illustrate environmental subject matter that forms no part of the claimed design.

**1 Claim, 14 Drawing Sheets**

(58) **Field of Classification Search**

CPC ..... F16M 13/00; F16M 2200/00; H04M 1/12;  
H04M 1/11; H04M 1/04

See application file for complete search history.

(56) **References Cited**

U.S. PATENT DOCUMENTS

D249,240 S *	9/1978	Klitzner .....	D3/271.6
D249,953 S *	10/1978	Drake .....	D6/310
D307,717 S *	5/1990	Bannister .....	D9/431
D343,790 S *	2/1994	Mermelstein .....	D9/418
D372,742 S *	8/1996	Kakudo .....	D21/392
D392,185 S *	3/1998	Husted .....	D9/422
D574,375 S *	8/2008	Prest .....	D14/217

D607,666 S *	1/2010	Isbell .....	D6/672
D681,625 S *	5/2013	Zehner .....	D14/253
D681,626 S *	5/2013	Zehner .....	D14/253
D688,417 S *	8/2013	Liu .....	D27/162
D703,212 S *	4/2014	Cruz .....	D14/447
D730,888 S *	6/2015	Malsan .....	D14/253
D771,615 S *	11/2016	Pignotti .....	D6/310
D781,841 S *	3/2017	Salathe .....	D14/253
D823,847 S *	7/2018	Lebovitz .....	D14/253
D840,408 S *	2/2019	Chen .....	D14/447
D848,595 S *	5/2019	Nechita .....	D23/366
D865,753 S *	11/2019	Date .....	D6/310
D881,199 S *	4/2020	Sheng .....	D14/447
D923,962 S *	7/2021	Byrne .....	D6/525
D946,564 S *	3/2022	Cyr .....	D13/108
D967,117 S *	10/2022	Balvidares .....	D8/349
D983,189 S *	4/2023	Murray .....	D14/253
2017/0127822 A1 *	5/2017	Grove .....	F16M 13/00

OTHER PUBLICATIONS

Wood Ring Display Stand, unknown, retrieved Sep. 15, 2023, retrieved from the internet URL: < <https://www.etsy.com/listing/702100740/wood-ring-display-stand-ring-display?gpla=1&> > (Year: 2023)\*

\* cited by examiner

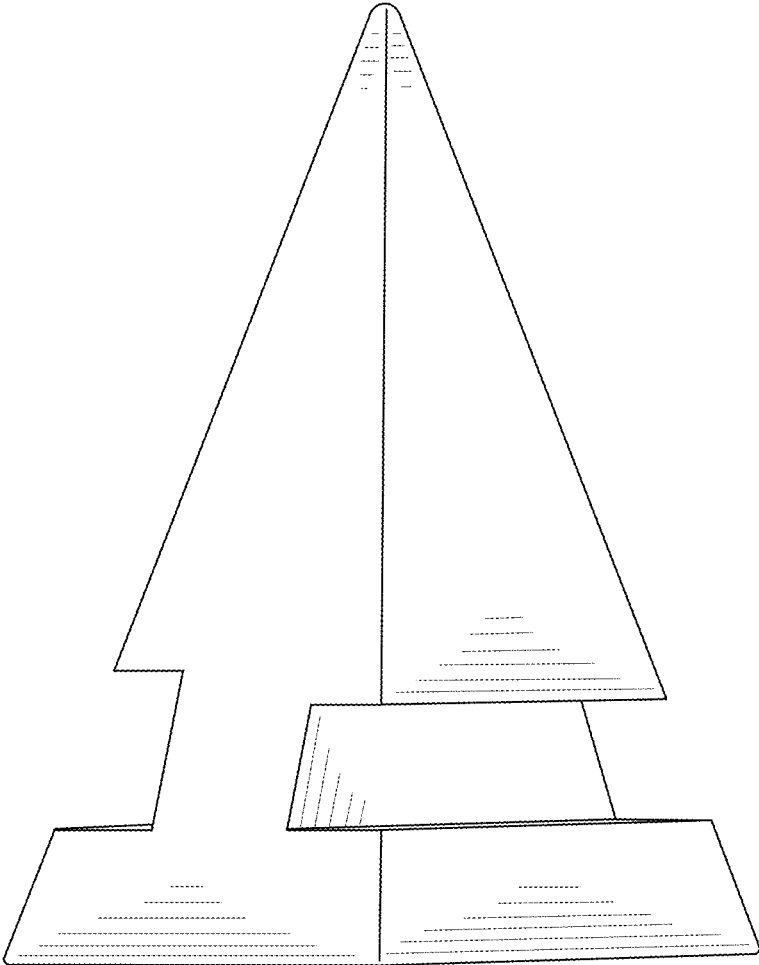


FIG. 1

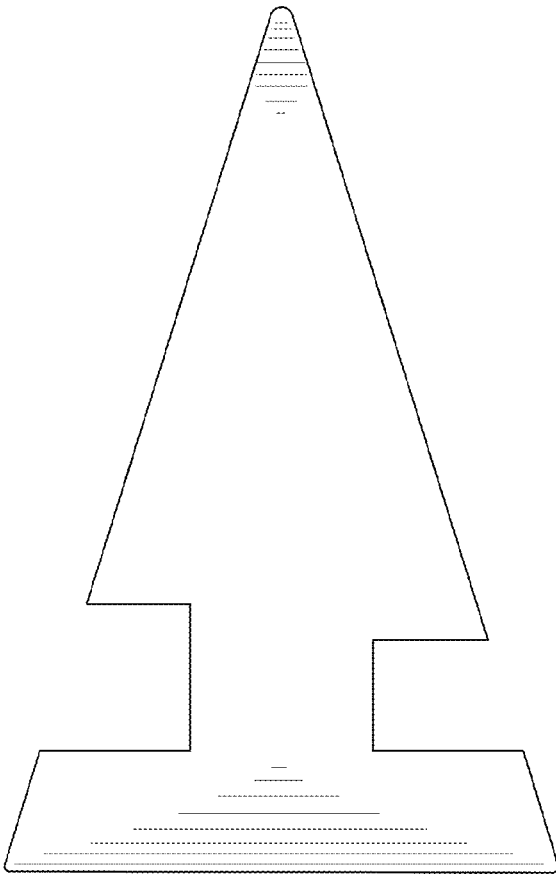


FIG. 2

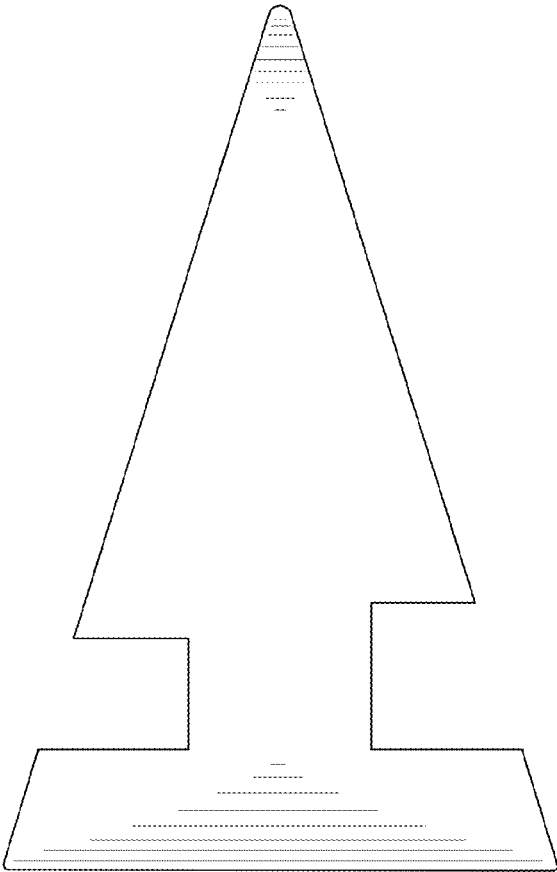


FIG. 3

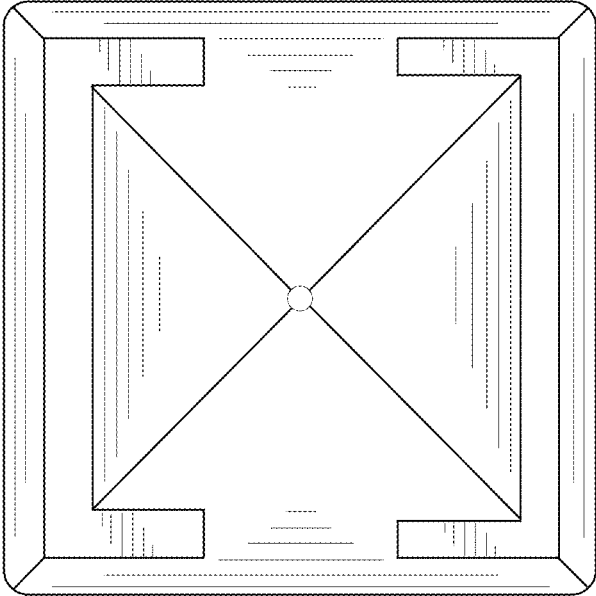


FIG. 4

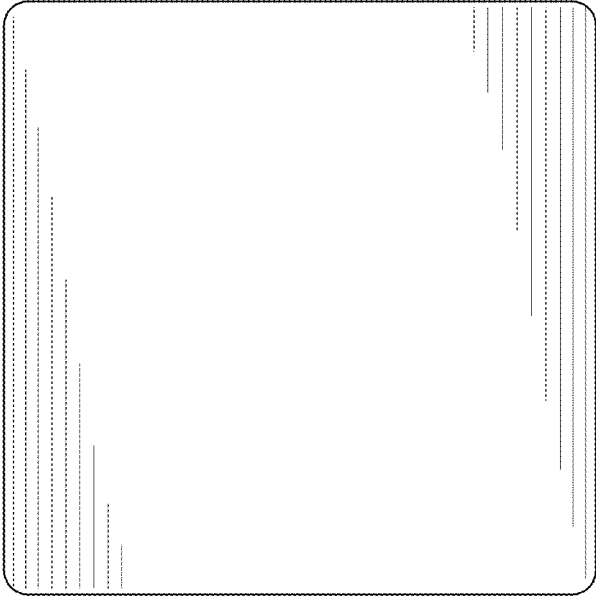


FIG. 5

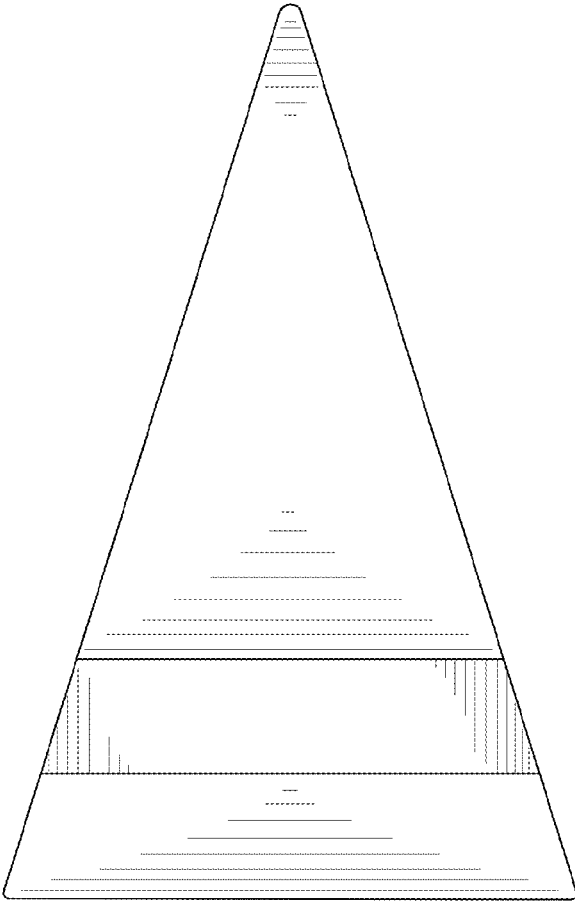


FIG. 6

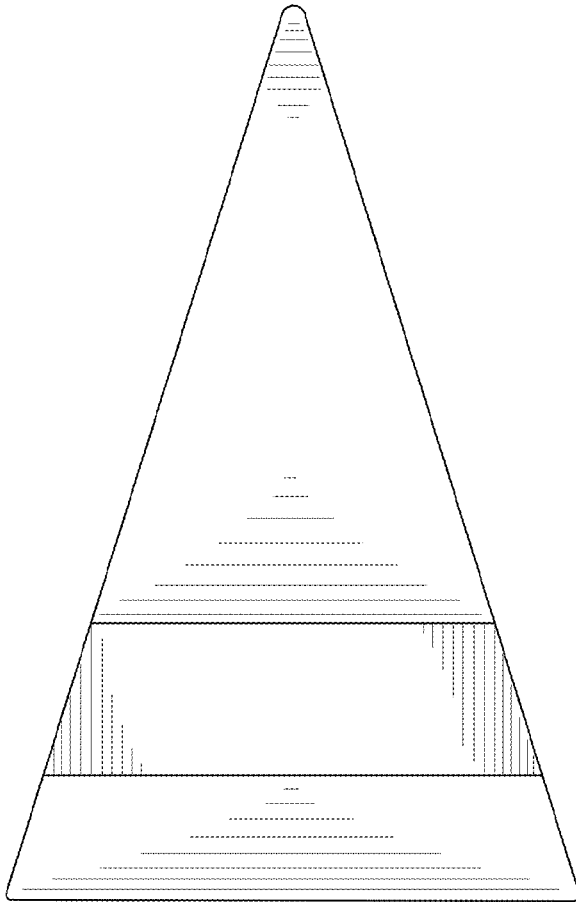


FIG. 7

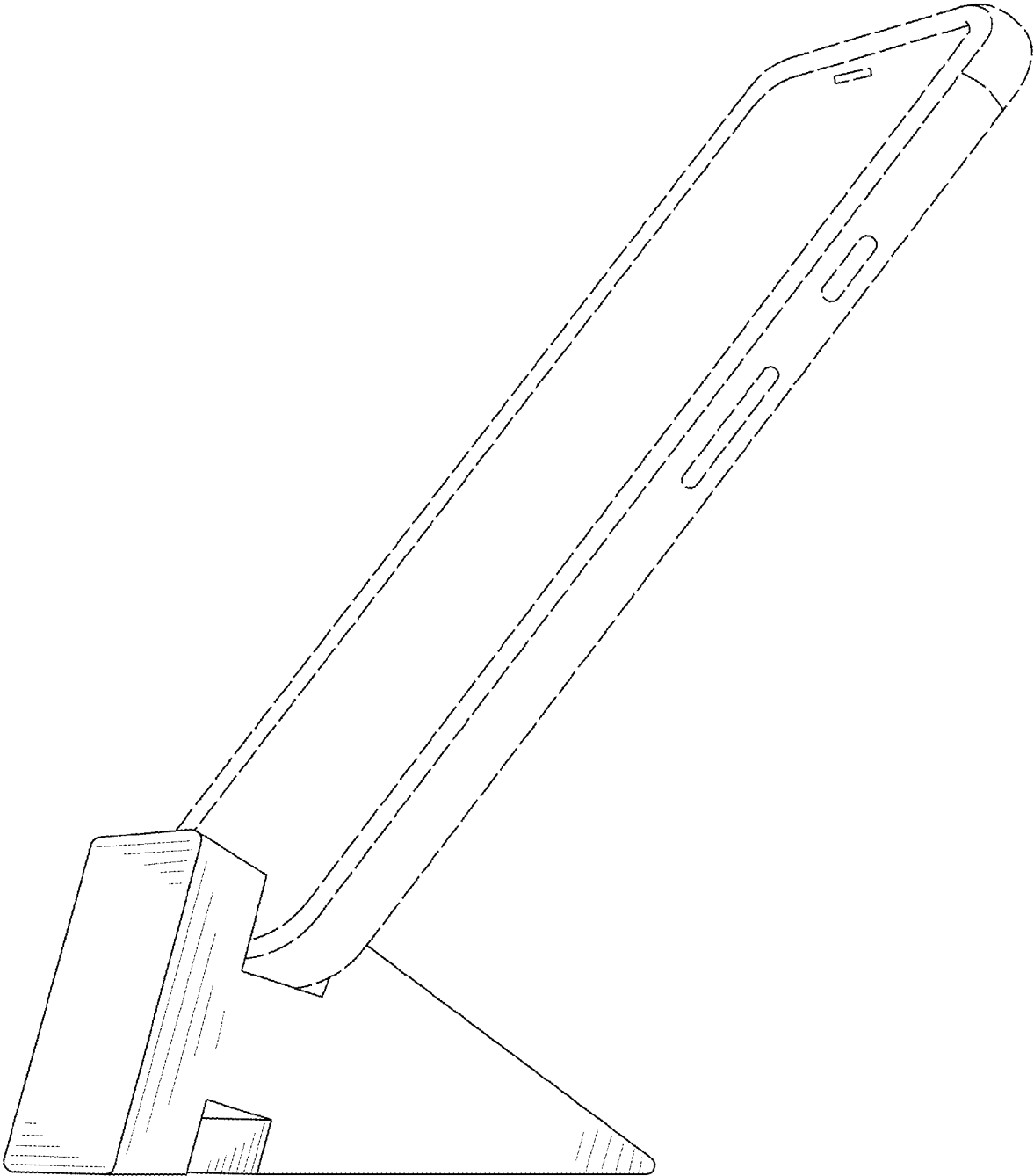


FIG. 8

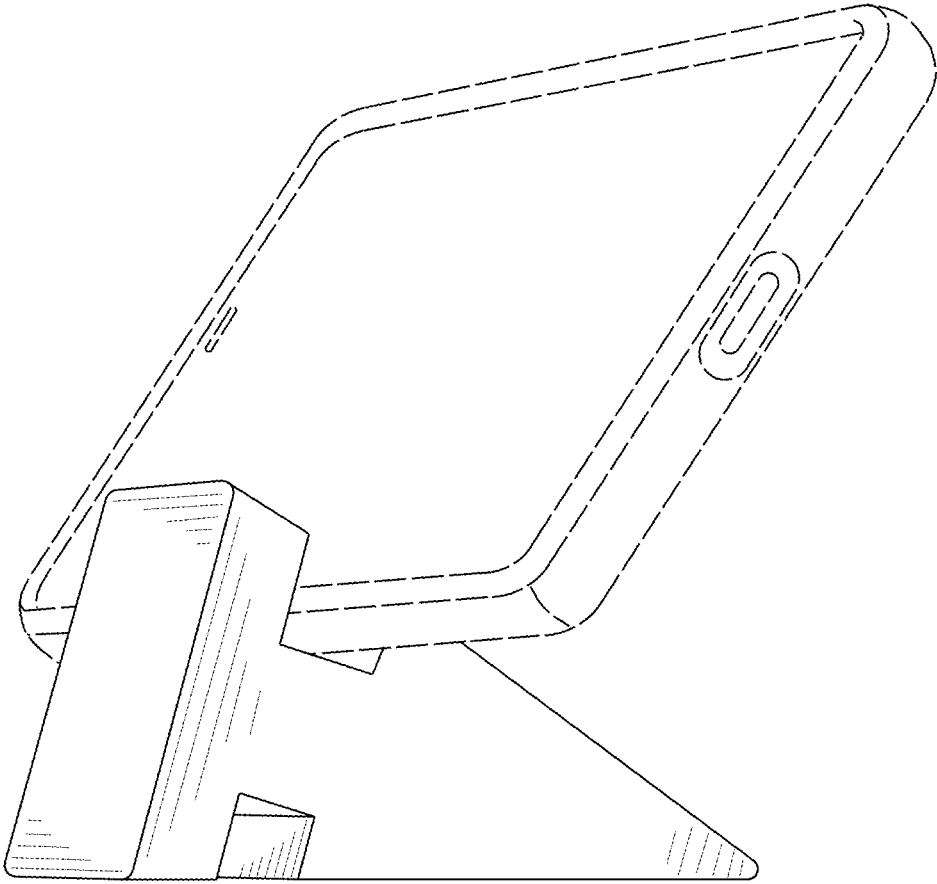


FIG. 9



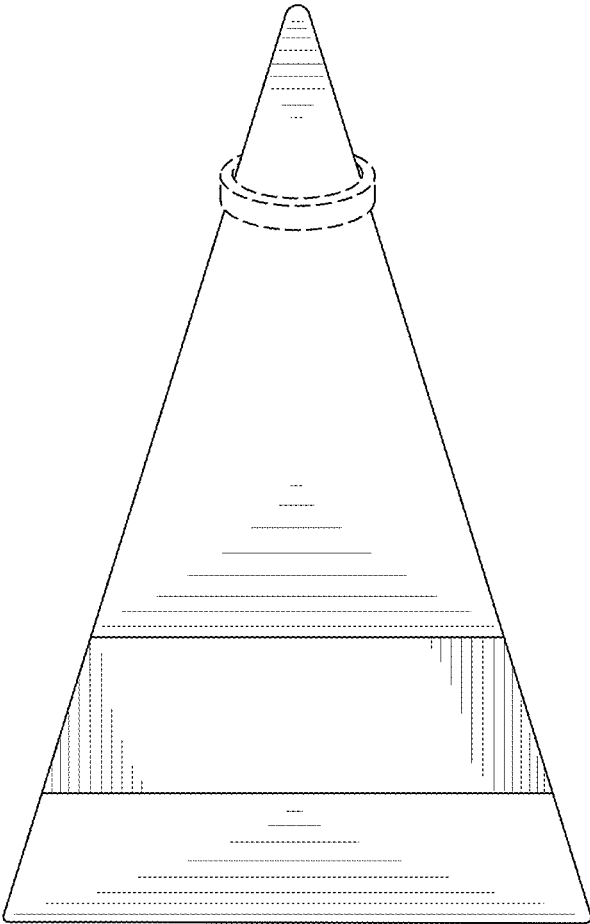


FIG. 10

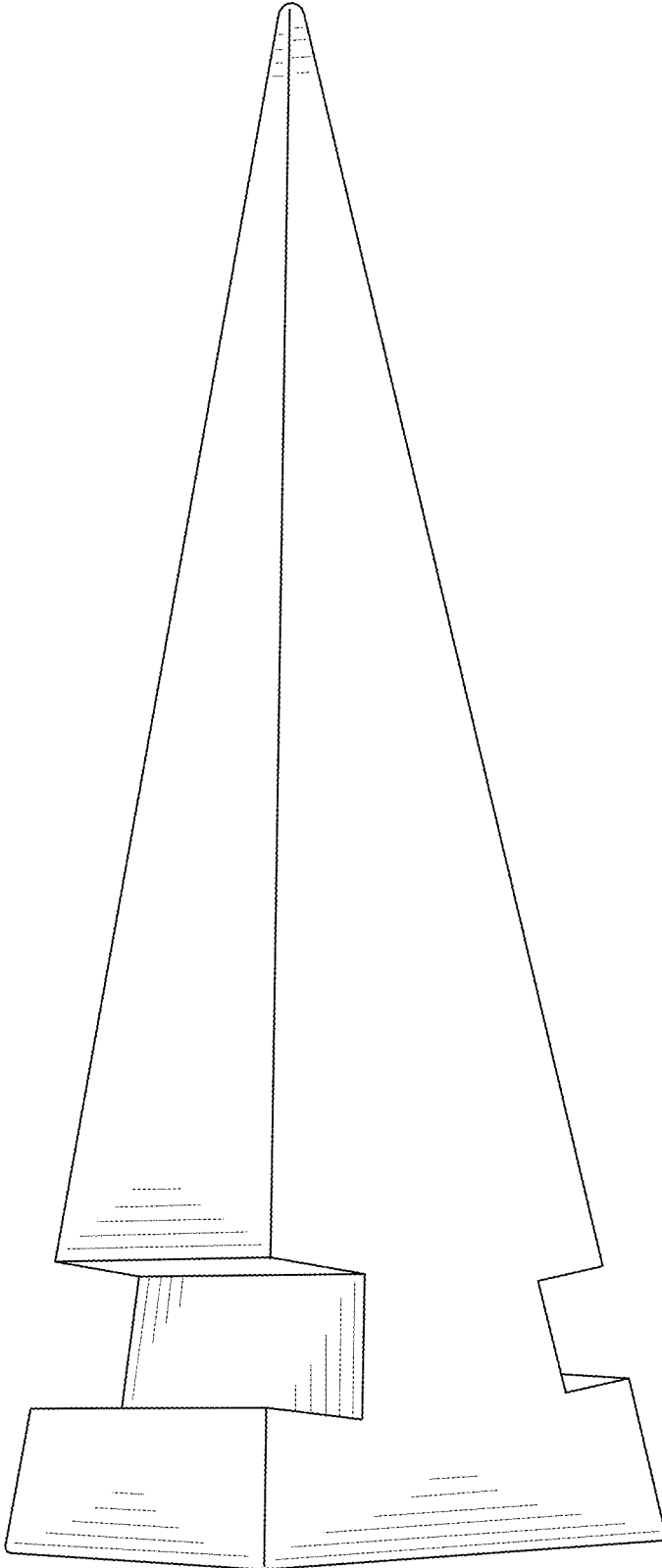


FIG. 11

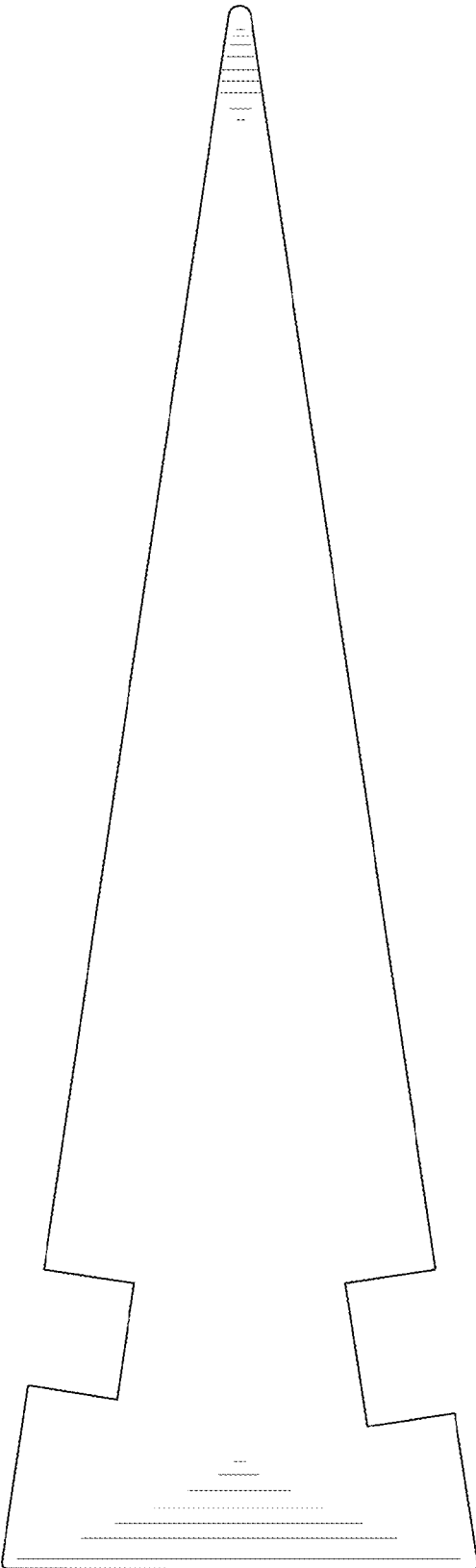


FIG. 12

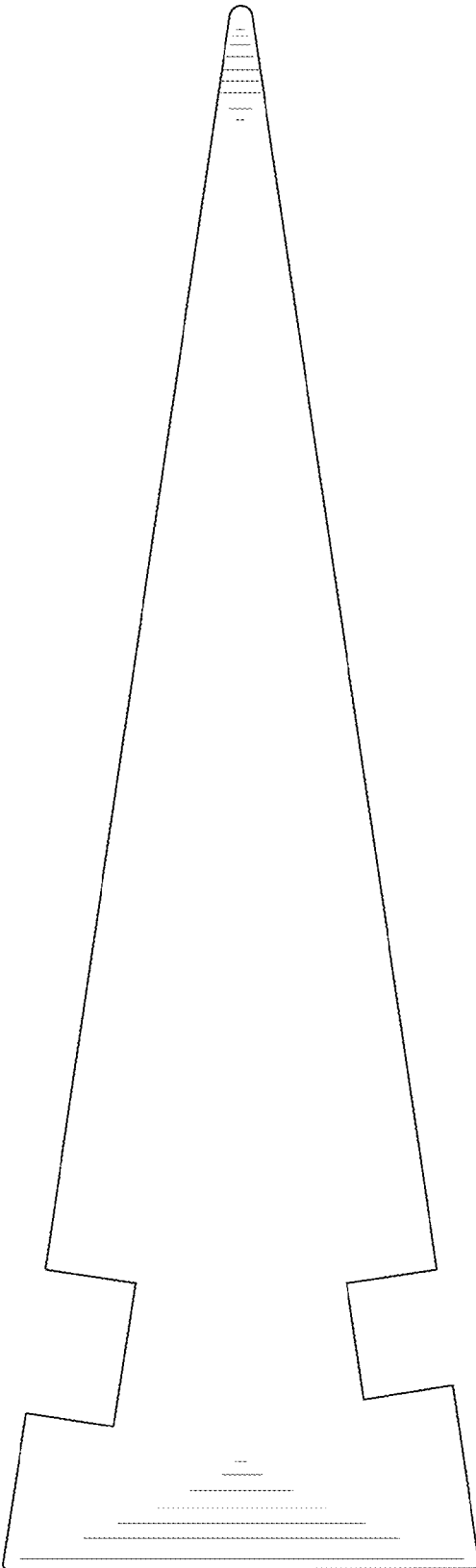


FIG. 13

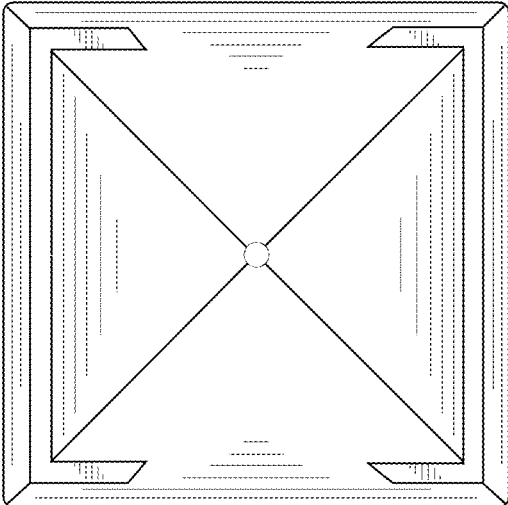


FIG. 14

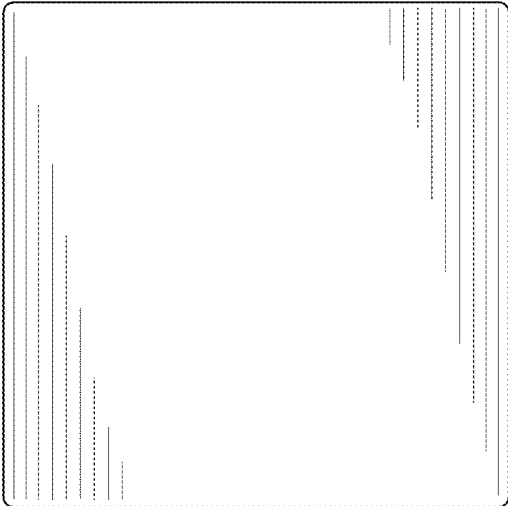


FIG. 15

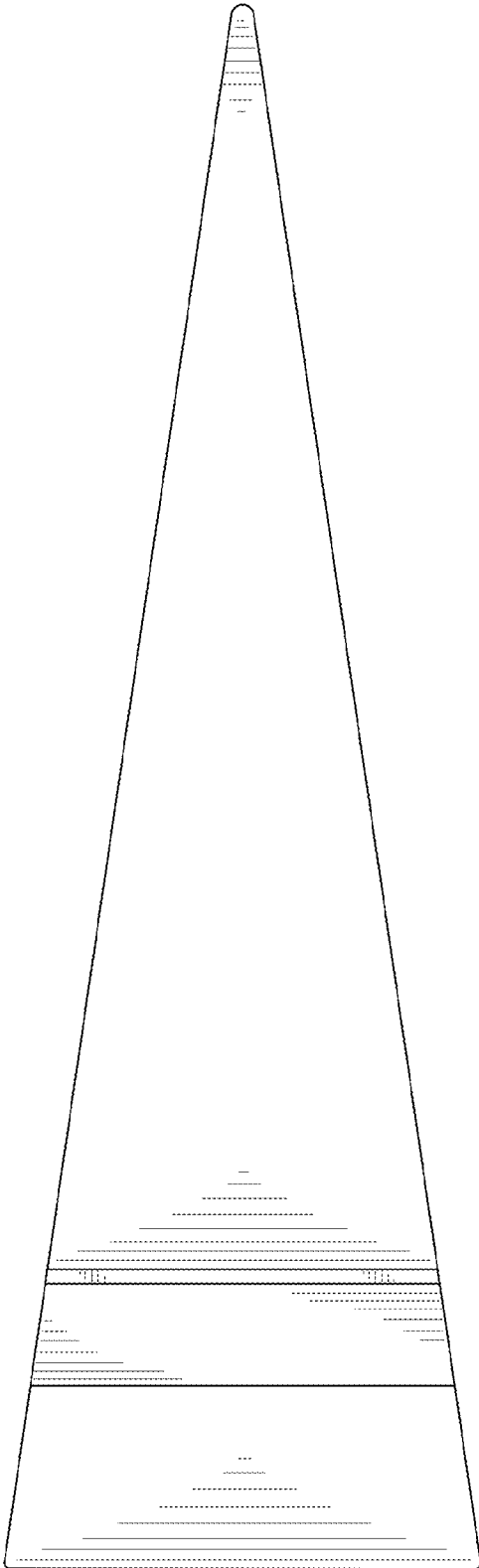


FIG. 16

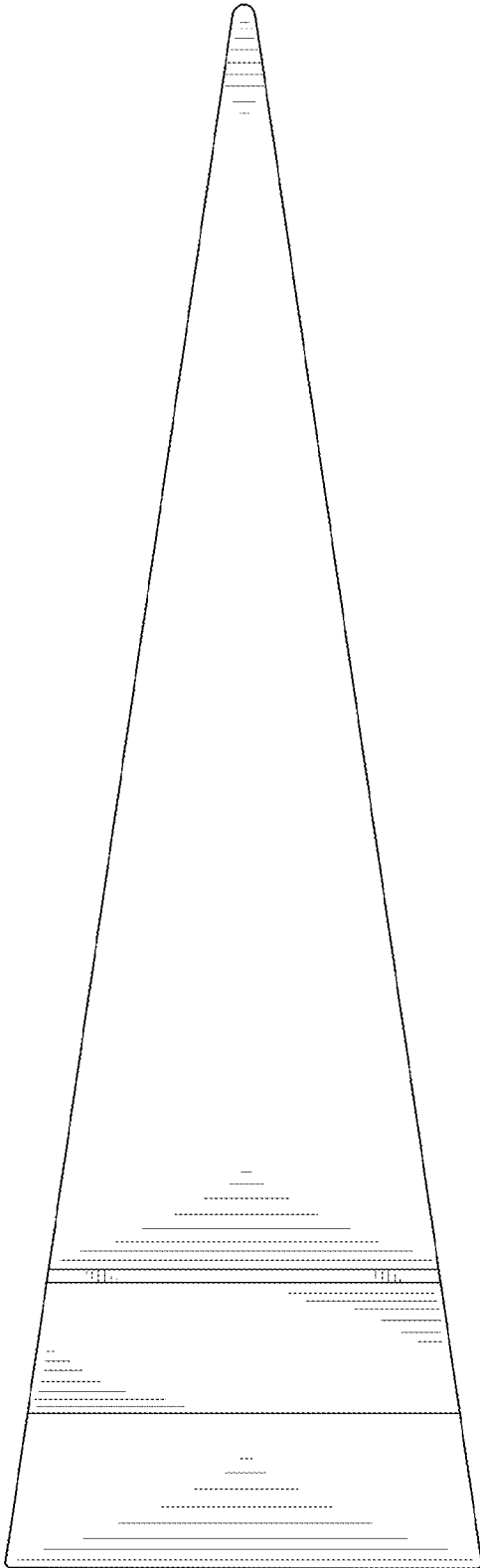


FIG. 17

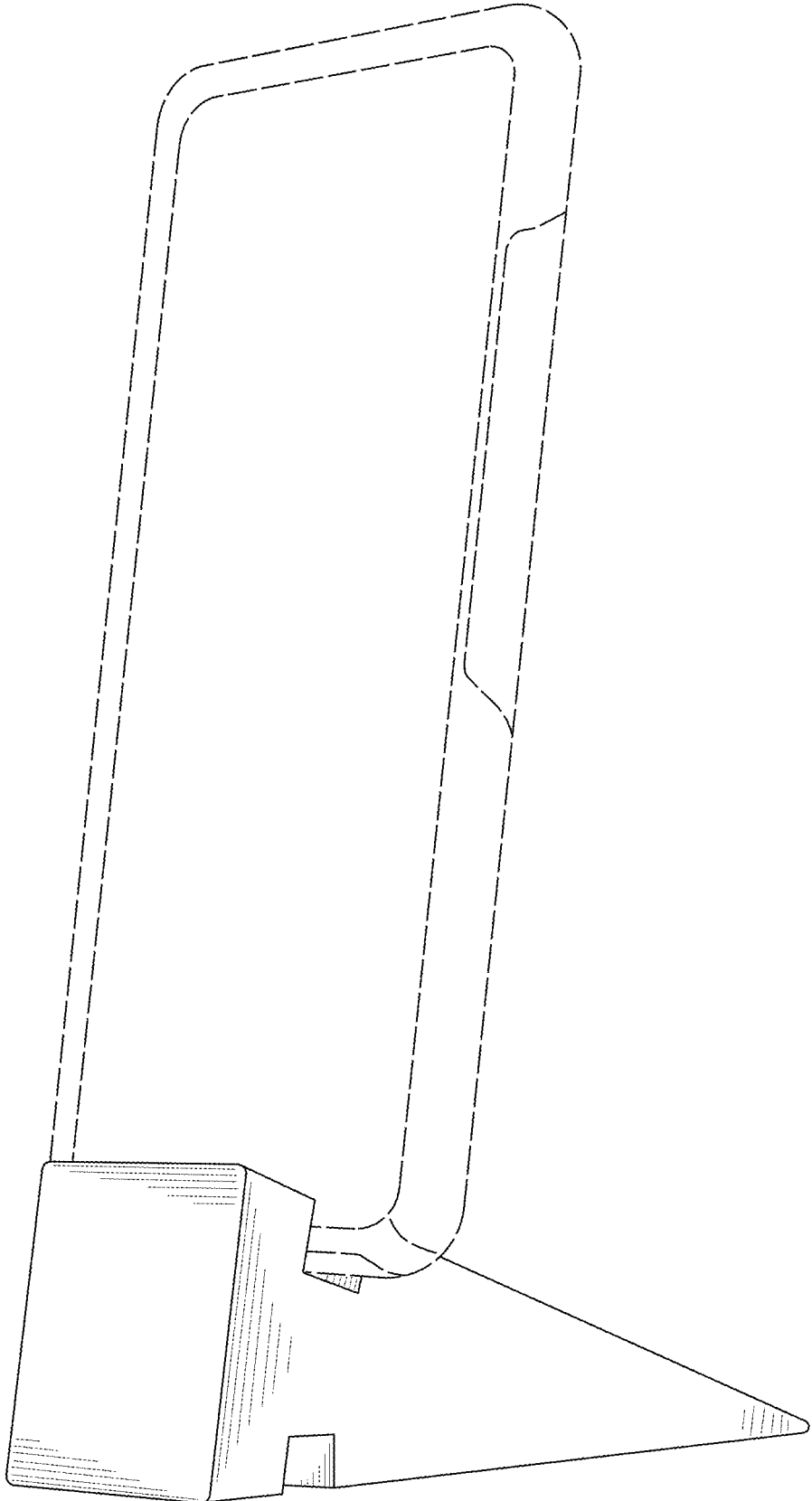


FIG. 18

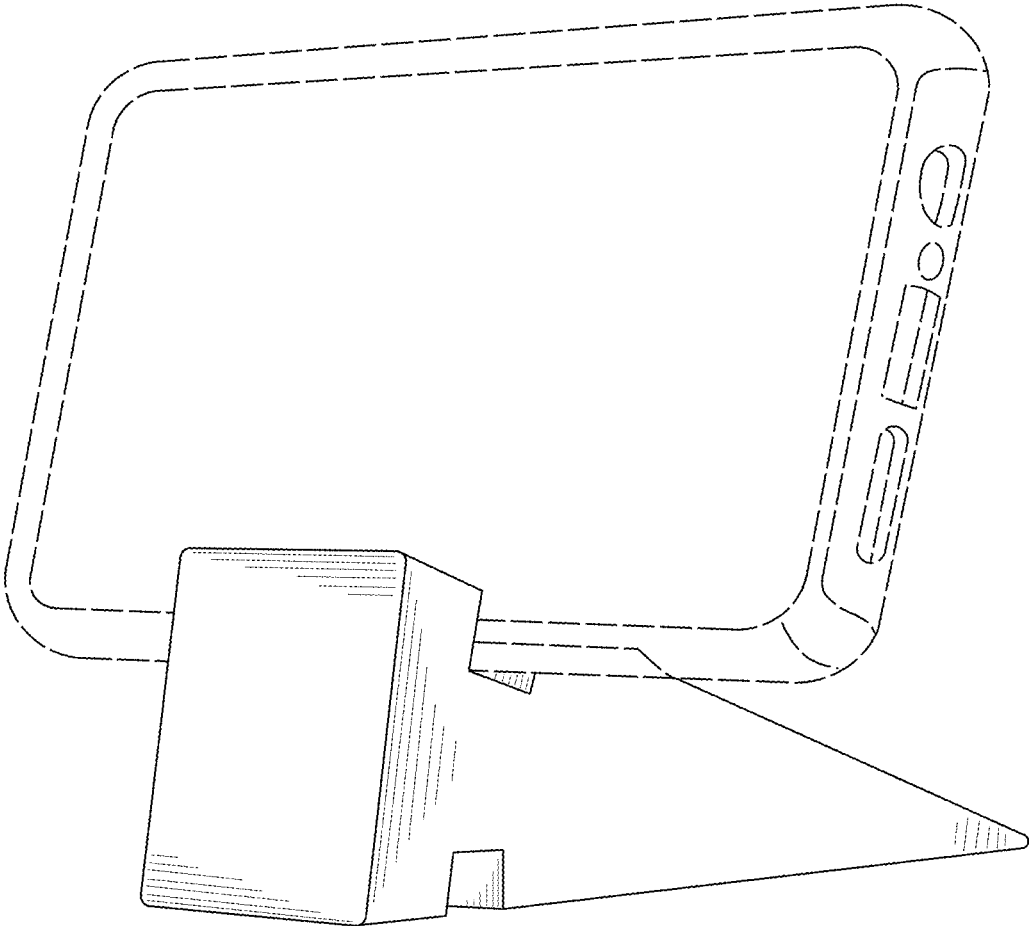


FIG. 19

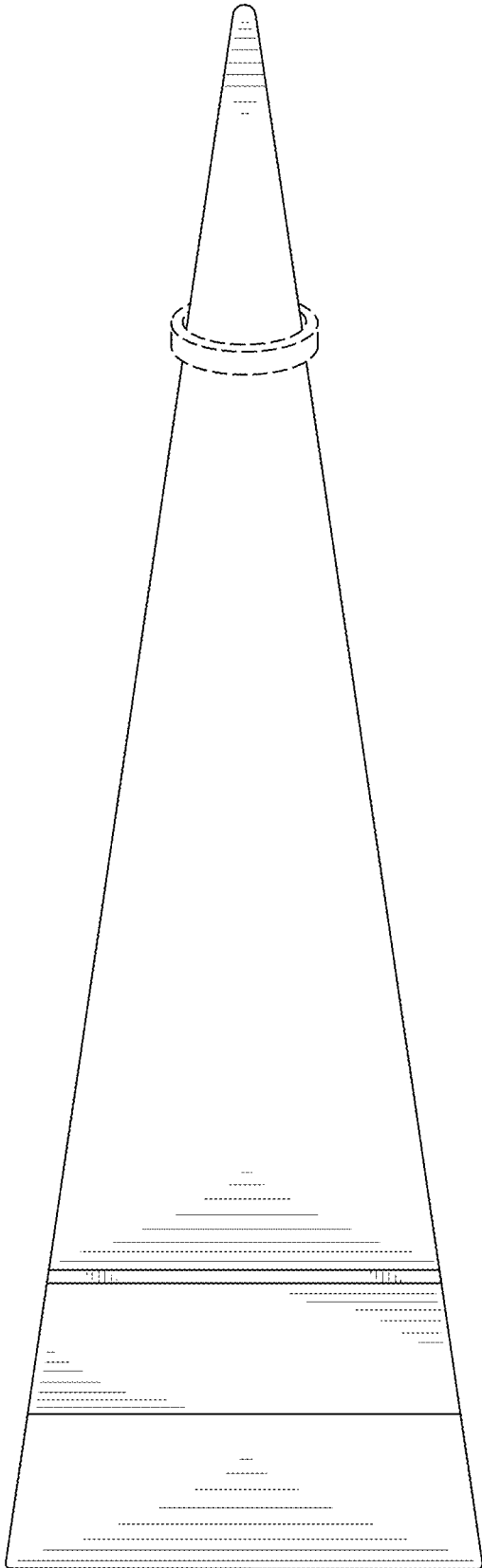


FIG. 20