



US0D1029795S

(12) **United States Design Patent**  
**Chatterjee et al.**

(10) **Patent No.:** **US D1,029,795 S**

(45) **Date of Patent:** **\*\* Jun. 4, 2024**

(54) **HEADSET**

(71) Applicant: **Microsoft Corporation**, Redmond, WA (US)

(72) Inventors: **Monique Chatterjee**, Seattle, WA (US); **Matthew C. Harvey**, Seattle, WA (US); **Sara Catherine Masaschi**, Boston, MA (US); **Richard T. Hanks**, Arlington, MA (US)

(73) Assignee: **Microsoft Corporation**, Redmond, WA (US)

(\*\*) Term: **15 Years**

(21) Appl. No.: **29/853,540**

(22) Filed: **Sep. 16, 2022**

(51) **LOC (14) Cl.** ..... **14-01**

(52) **U.S. Cl.**  
USPC ..... **D14/206**; D14/226

(58) **Field of Classification Search**  
USPC ..... D14/206, 226, 205, 344, 485; D29/112; 2/209; D28/41; 132/273; D19/6; D20/11

CPC ..... H04R 25/00; H04R 25/02; H04R 1/1016; H04R 1/1066; H04R 5/033; H04R 5/0335; H04R 19/04; H04R 11/04; H04R 1/1008; H04R 1/1091; H04R 1/1033

See application file for complete search history.

(56) **References Cited**

**U.S. PATENT DOCUMENTS**

1,555,997 A	10/1925	Lidberg
2,586,644 A	2/1952	Gilbert
3,548,118 A	12/1970	Hutchings
3,781,492 A	12/1973	Cragg et al.
D233,444 S	10/1974	Christian
4,420,657 A	12/1983	Larkin
4,926,961 A	5/1990	Gatthey et al.

D337,116 S	7/1993	Hattori	
D344,102 S *	2/1994	Polak .....	D20/11
5,369,857 A	12/1994	Sacherman et al.	
6,216,490 B1 *	4/2001	Radley-Smith .....	G04G 9/10 63/3
D465,208 S	11/2002	Lee et al.	
6,625,293 B1	9/2003	Nageno et al.	
D481,375 S	10/2003	Suzuki	
D488,146 S	4/2004	Minto	
D512,981 S	12/2005	Jacobson et al.	
6,980,666 B1	12/2005	Owen	
D514,086 S	1/2006	Skulley	
D517,528 S	3/2006	Skulley	
D518,479 S	4/2006	Skulley	

(Continued)

**FOREIGN PATENT DOCUMENTS**

EA	008781702-0001	12/2021
GB	6116642	8/2020

(Continued)

*Primary Examiner* — Paula Allen Greene

(74) *Attorney, Agent, or Firm* — Banner & Witcoff, Ltd.

(57) **CLAIM**

The ornamental design for a headset, as shown and described.

**DESCRIPTION**

FIG. 1 is a front perspective view of a headset showing our new design;

FIG. 2 is a rear perspective view thereof;

FIG. 3 is a front view thereof;

FIG. 4 is a rear view thereof;

FIG. 5 is a top view thereof;

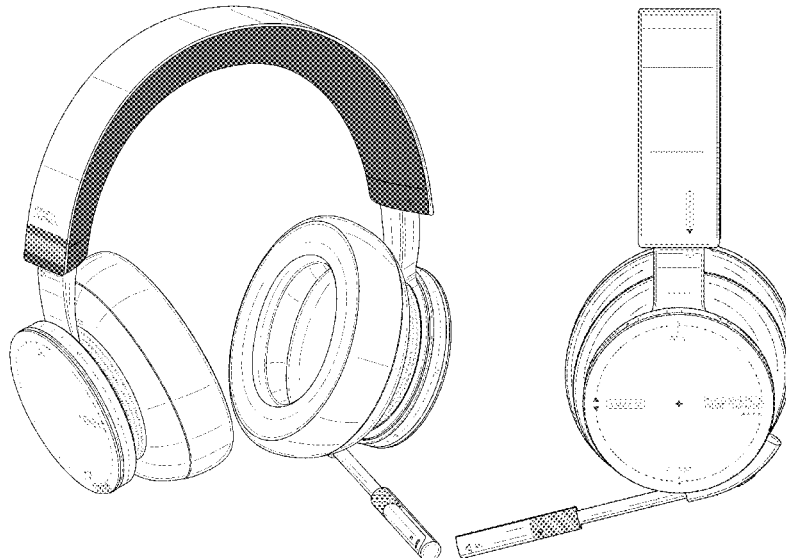
FIG. 6 is a bottom view thereof;

FIG. 7 is a left side view thereof; and,

FIG. 8 is a right side view thereof.

The broken lines shown in FIGS. 1-8 show portions of the headset that form no part of the claimed design.

**1 Claim, 8 Drawing Sheets**



(56)

References Cited

U.S. PATENT DOCUMENTS

7,106,873 B1 9/2006 Harrison et al.  
 D531,165 S 10/2006 Rath  
 D550,233 S \* 9/2007 Vigesaa ..... D14/487  
 7,316,332 B2 \* 1/2008 Powers ..... A61M 35/003  
 222/491  
 D563,382 S 3/2008 Wikel  
 D578,508 S 10/2008 Wang  
 D589,492 S 3/2009 Mistry  
 D654,471 S 2/2012 Fischer  
 D654,472 S 2/2012 Fischer  
 8,132,200 B1 \* 3/2012 Karam ..... G06F 16/958  
 725/24  
 D657,218 S 4/2012 Wilder  
 D660,823 S 5/2012 Hardi et al.  
 D660,824 S 5/2012 Hardi et al.  
 D663,716 S 7/2012 Hardi et al.  
 D673,136 S 12/2012 Kelly et al.  
 D673,524 S 1/2013 Brennwald  
 D675,595 S 2/2013 Cho et al.  
 D678,860 S 3/2013 Hagelin  
 D683,329 S 5/2013 Hagelin  
 D684,145 S 6/2013 Rath  
 D684,559 S 6/2013 Groset et al.  
 D691,111 S 10/2013 Lee  
 D691,113 S 10/2013 Gougherty et al.  
 D691,579 S 10/2013 Lee et al.  
 D706,244 S 6/2014 Goransson  
 D707,655 S 6/2014 Porter  
 D713,375 S 9/2014 Dedinas et al.  
 D713,376 S 9/2014 Dedinas et al.  
 D716,762 S 11/2014 Greve  
 D717,767 S 11/2014 Mistry et al.  
 D721,055 S 1/2015 Sparks et al.  
 D722,041 S 2/2015 Sparks et al.  
 D724,562 S 3/2015 Sparks et al.  
 D735,161 S 7/2015 Sparks et al.  
 D735,691 S 8/2015 Sparks et al.  
 D737,799 S 9/2015 Carr et al.  
 D740,256 S 10/2015 Carr  
 D741,007 S \* 10/2015 McNama ..... D28/41  
 D741,842 S 10/2015 Levine  
 D750,041 S 2/2016 Birger  
 D750,070 S \* 2/2016 Magi ..... D14/344  
 D782,999 S 4/2017 Spio  
 D788,627 S \* 6/2017 Park ..... D14/344  
 9,706,281 B2 7/2017 Hernandez Vazquez  
 D800,691 S 10/2017 Ando et al.  
 D810,046 S 2/2018 Dryden et al.

D820,813 S 6/2018 Sharp et al.  
 D833,071 S \* 11/2018 Pennington ..... D28/41  
 D843,345 S 3/2019 Brunner et al.  
 D847,117 S 4/2019 Summerson et al.  
 D851,064 S 6/2019 Wang  
 D856,303 S 8/2019 Ando et al.  
 D857,652 S 8/2019 Wang  
 D860,161 S 9/2019 Xia  
 D864,903 S 10/2019 Liu  
 D870,069 S 12/2019 Hu  
 D877,714 S 3/2020 Dhondt et al.  
 D878,327 S 3/2020 Dhondt et al.  
 D881,843 S 4/2020 Hu  
 D885,036 S 5/2020 Casadei  
 D885,364 S 5/2020 Paterson et al.  
 D895,641 S \* 9/2020 Gansca ..... D14/485  
 D906,282 S 12/2020 Kelley et al.  
 D915,348 S 4/2021 He  
 D926,724 S 8/2021 D'Ambrosio  
 D928,116 S 8/2021 Su  
 D935,440 S 11/2021 Liu  
 D940,685 S 1/2022 He  
 D940,686 S 1/2022 Yang et al.  
 D945,981 S 3/2022 Rois  
 D959,453 S \* 8/2022 Van Gerbig ..... D14/485  
 D960,127 S 8/2022 Ahovi et al.  
 D960,864 S 8/2022 Ahovi et al.  
 D961,545 S 8/2022 Ahovi et al.  
 D972,530 S \* 12/2022 Ahovi ..... D14/206  
 D991,218 S \* 7/2023 He ..... D14/205  
 D1,007,463 S \* 12/2023 Malaska ..... D14/206  
 2001/0036291 A1 11/2001 Pallai  
 2005/0286717 A1 12/2005 Viduya et al.  
 2014/0126763 A1 5/2014 Yoo  
 2015/0185839 A1 \* 7/2015 Magi ..... G06F 3/0412  
 345/173  
 2019/0289379 A1 9/2019 Wu  
 2019/0342664 A1 11/2019 Payne et al.  
 2019/0394339 A1 \* 12/2019 Seo ..... H04R 1/1083  
 2020/0213703 A1 7/2020 Yoneyama  
 2020/0396532 A1 12/2020 Bui et al.  
 2021/0260414 A1 8/2021 Mundy et al.  
 2022/0279267 A1 \* 9/2022 Johnson ..... H04R 1/1008

FOREIGN PATENT DOCUMENTS

GB 9008274146-0001 11/2020  
 JP D1701980 \* 11/2021  
 JP D1711332 \* 3/2022

\* cited by examiner



FIG. 1



FIG. 2



FIG. 3



FIG. 4

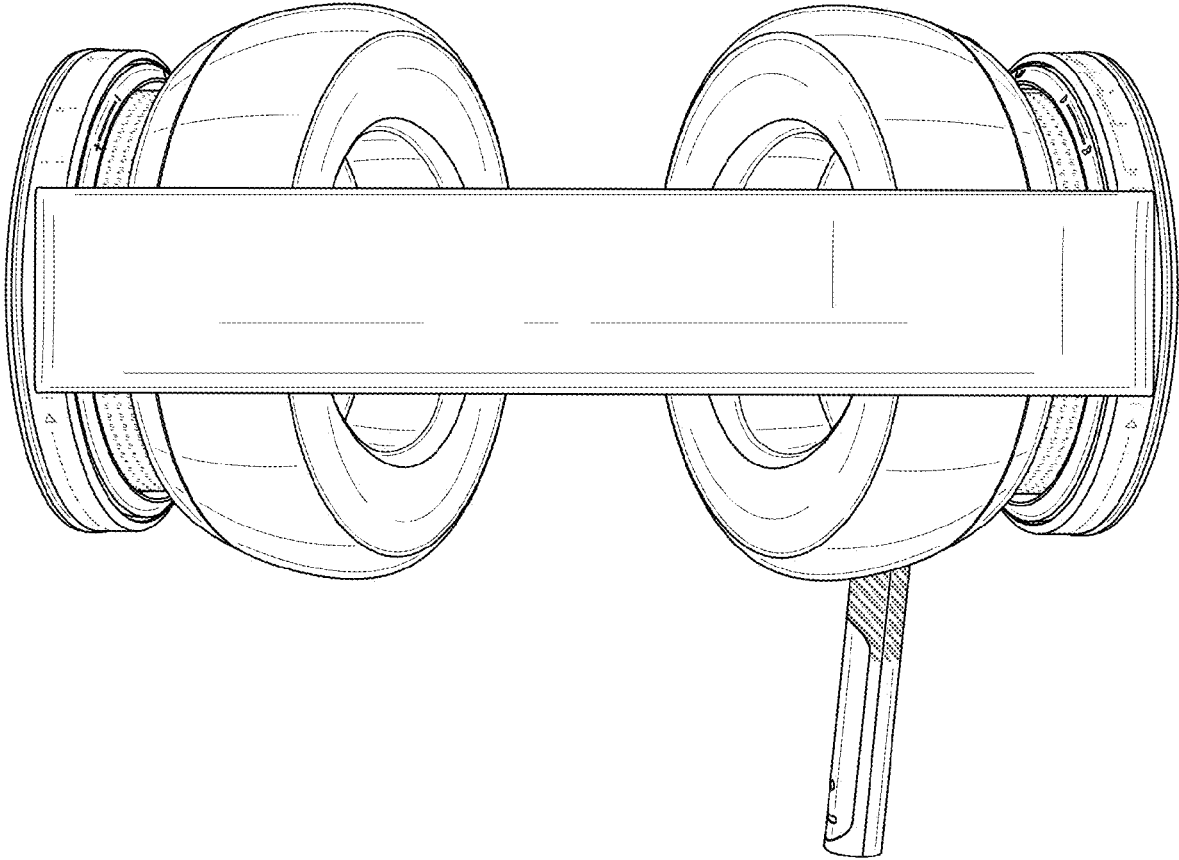


FIG. 5

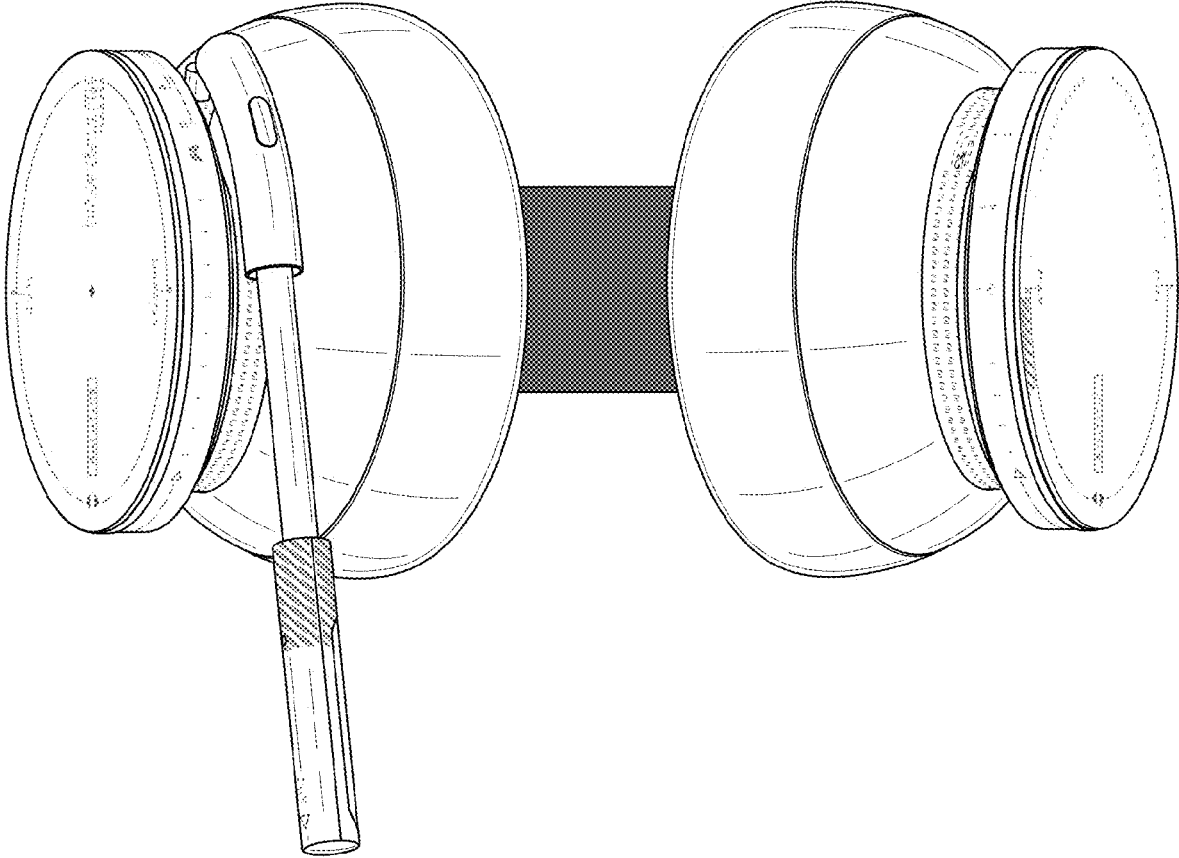


FIG. 6



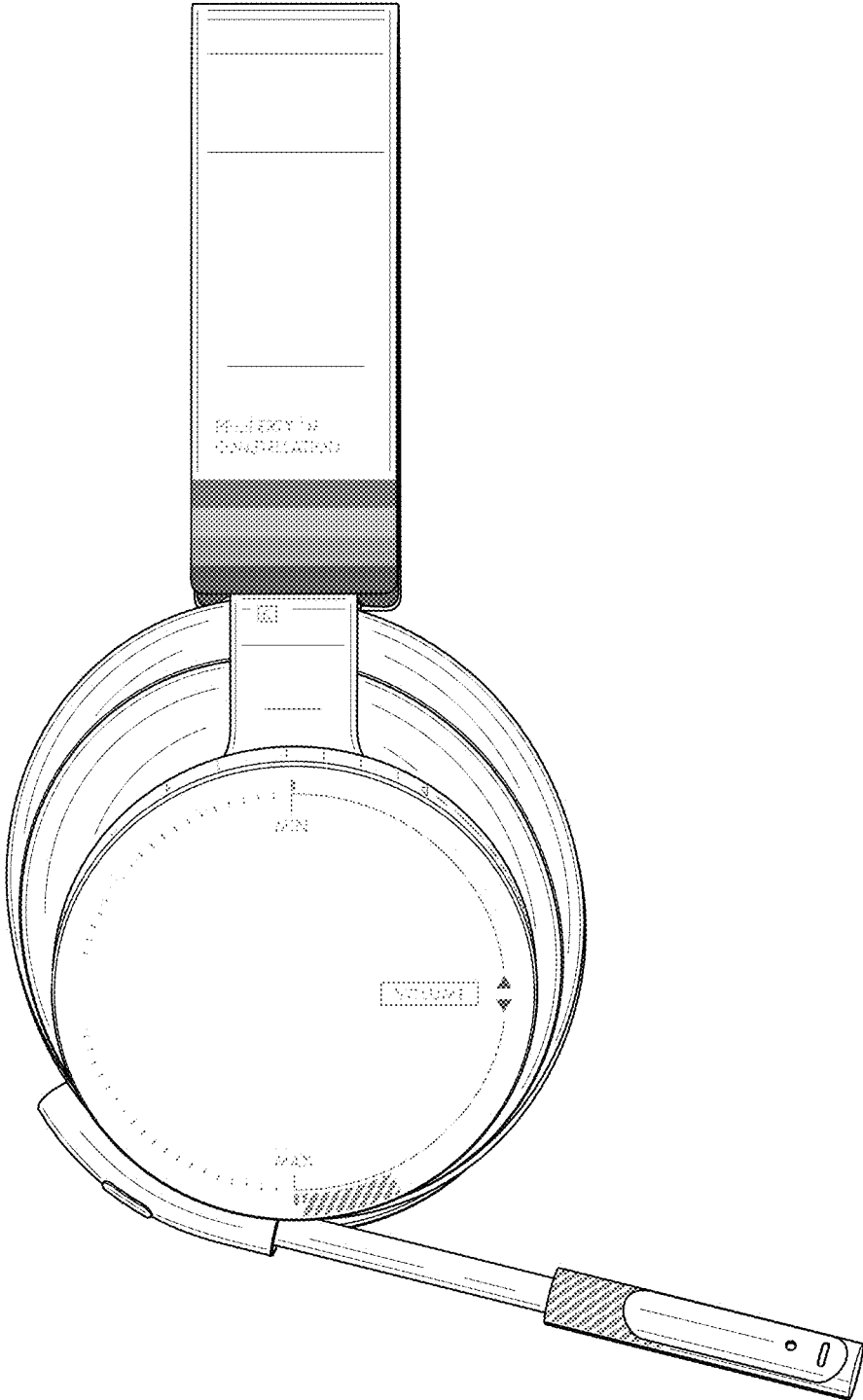


FIG. 7

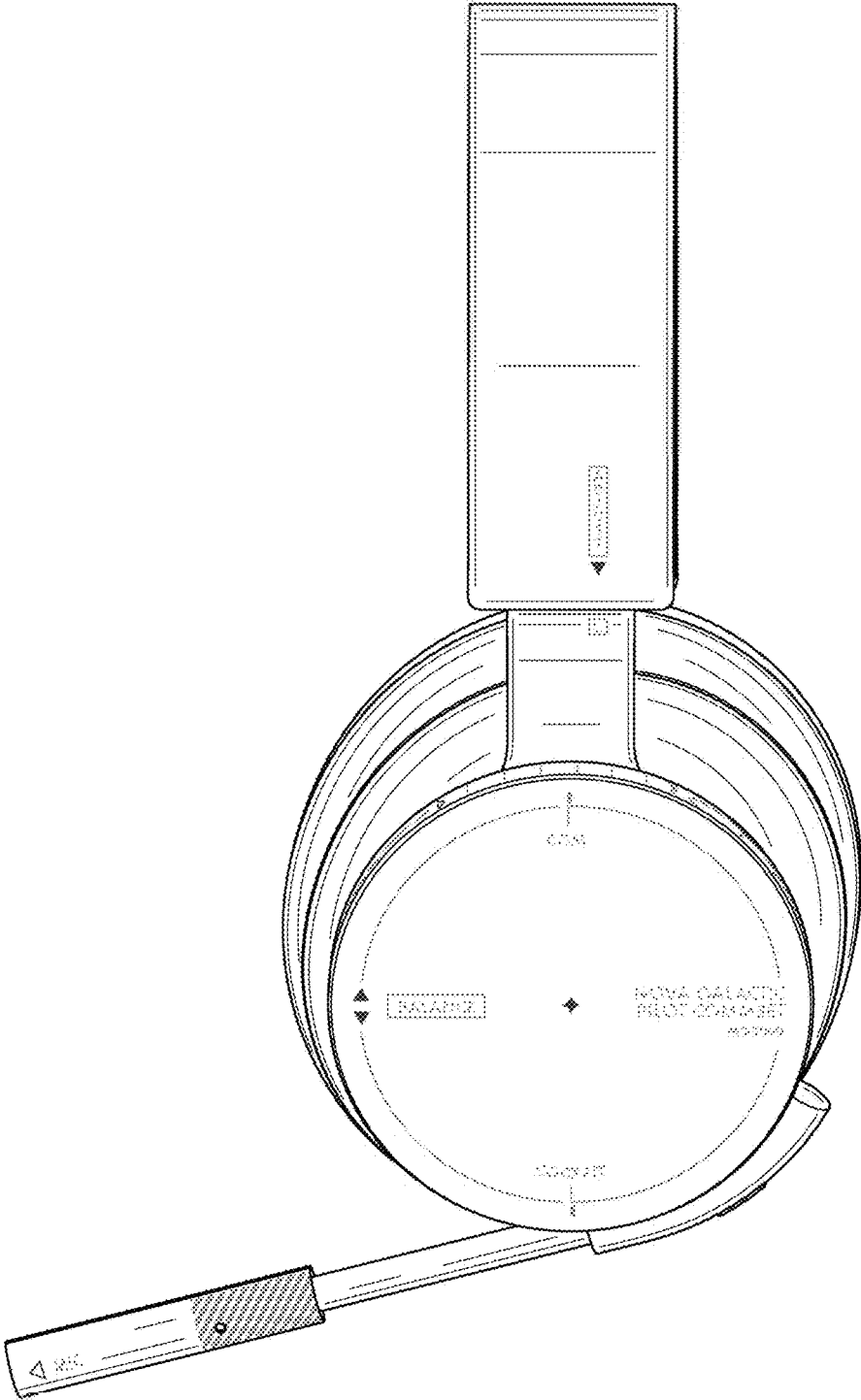


FIG. 8