



US00D964994S

(12) **United States Design Patent**
Chan et al.

(10) **Patent No.:** **US D964,994 S**
(45) **Date of Patent:** **** Sep. 27, 2022**

- (54) **CASE FOR PORTABLE ELECTRONIC COMPUTING DEVICE**
- (71) Applicant: **Pioneer Square Brands, Inc.**, Seattle, WA (US)
- (72) Inventors: **Jaimie Emerald Chan**, Renton, WA (US); **Brian Lewis Piper**, Seattle, WA (US)
- (73) Assignee: **Pioneer Square Brands, Inc.**, McLean, VA (US)
- (**) Term: **15 Years**
- (21) Appl. No.: **29/816,755**
- (22) Filed: **Nov. 24, 2021**
- (51) **LOC (13) Cl.** **14-02**
- (52) **U.S. Cl.**
USPC **D14/440**
- (58) **Field of Classification Search**
USPC D14/440, 447, 250; 361/679.55; 206/45.23, 320, 45.2; 294/25; 455/575.8
CPC ... G06F 1/1628; G06F 1/1626; A47B 23/044; A45C 11/00
See application file for complete search history.

- D816,087 S 4/2018 Fenton et al.
- D817,334 S 5/2018 Fenton et al.
- D837,219 S 1/2019 Gao
- D837,796 S 1/2019 Kim et al.
- D841,012 S 2/2019 Kim et al.
- D841,013 S 2/2019 Ferren et al.
- D844,611 S 4/2019 Ferren et al.
- D847,817 S 5/2019 Cheng
- D848,441 S 5/2019 Ferren et al.
- D850,452 S 6/2019 Akana et al.
- D850,454 S 6/2019 Kim et al.
- D851,093 S * 6/2019 Moore D14/440
- D852,199 S 6/2019 Kim et al.
- D852,200 S 6/2019 Chan et al.
- D852,201 S 6/2019 Chan et al.
- D852,802 S 7/2019 Gao
- D863,314 S 7/2019 Chan et al.
- D863,315 S 7/2019 Chan et al.
- D864,210 S 7/2019 Chan et al.
- D863,316 S 9/2019 Chan et al.

(Continued)

Primary Examiner — Cynthia R Underwood
(74) *Attorney, Agent, or Firm* — Grandview Law

(57) **CLAIM**

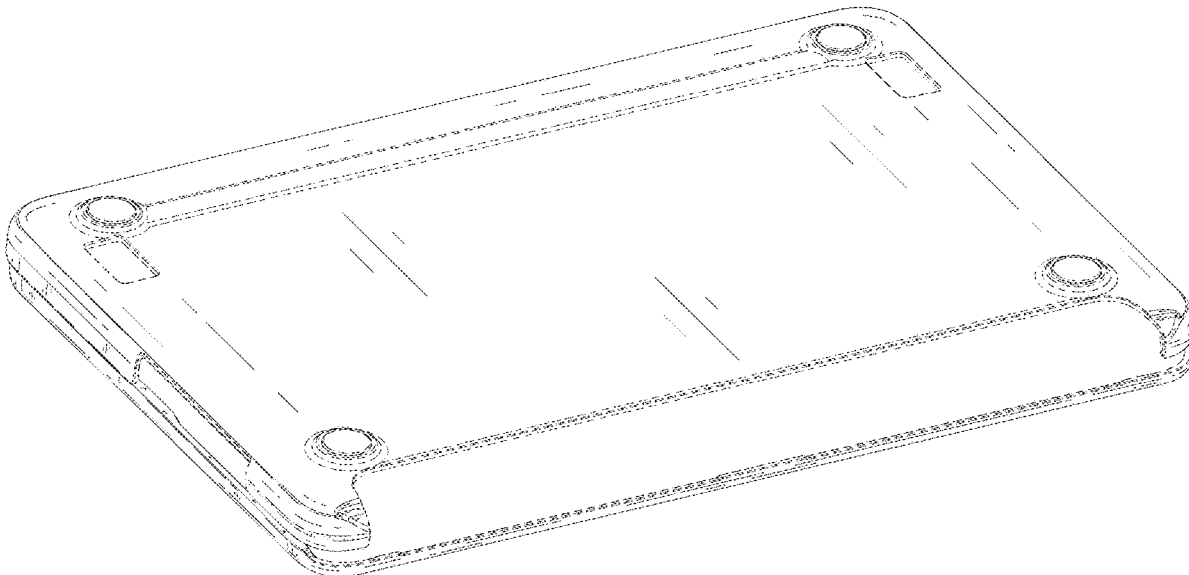
The ornamental design for a case for portable electronic computing device, as shown and described.

DESCRIPTION

FIG. 1 is a top perspective view of a case for portable electronic computing device showing our new design.
 FIG. 2 is a bottom perspective view thereof.
 FIG. 3 is a top plan view thereof.
 FIG. 4 is a bottom plan view thereof.
 FIG. 5 is a front elevational view thereof.
 FIG. 6 is a rear elevational view thereof.
 FIG. 7 is a left elevational view thereof; and,
 FIG. 8 is a right elevational view thereof.
 The features shown in broken lines in the drawing figures depict features that form no part of the claimed design.

1 Claim, 6 Drawing Sheets

- (56) **References Cited**
U.S. PATENT DOCUMENTS
- 7,042,712 B2 * 5/2006 Ghosh G06F 1/1605 345/169
- D658,188 S 4/2012 Diebel
- D681,641 S 5/2013 Van Den Nieuwenhuizen et al.
- D709,510 S 7/2014 Soare
- D710,857 S * 8/2014 Mecchella D14/440
- D724,093 S * 3/2015 Dong D14/440
- D801,976 S * 11/2017 Li D14/440
- D808,395 S 1/2018 Fenton
- D810,732 S 2/2018 Fenton et al.



(56)

References Cited

U.S. PATENT DOCUMENTS

D861,698 S	*	10/2019	Fenton	D14/440	D907,638 S	1/2021	Yang	
D862,480 S		10/2019	Chan et al.		D908,129 S	1/2021	Nyholm et al.	
D863,317 S		10/2019	Piper et al.		D908,132 S	1/2021	Poon	
D868,789 S		12/2019	Weng		D908,708 S	*	1/2021	Miller D14/440
D868,790 S		12/2019	Weng		D910,026 S	2/2021	Li	
D874,467 S		2/2020	Piper et al.		D910,641 S	2/2021	Wu	
D881,895 S		4/2020	Liu		D911,349 S	2/2021	Giazzon	
D883,989 S		5/2020	Cheng		D913,295 S	3/2021	Piper et al.	
D888,063 S		6/2020	Chan et al.		D920,337 S	5/2021	Chan et al.	
D888,718 S		6/2020	Xu		D920,983 S	6/2021	Chan et al.	
D892,804 S		8/2020	Lin		D922,392 S	6/2021	Chan et al.	
D892,806 S	*	8/2020	Manzano	D14/440	D926,194 S	7/2021	Piper et al.	
D895,630 S		9/2020	Piper et al.		D928,167 S	8/2021	Cheng	
D902,934 S		11/2020	Manzano et al.		D930,002 S	*	9/2021	Zhou D14/440
D905,698 S		12/2020	Wall		D930,653 S	9/2021	Armstrong	
D905,699 S		12/2020	Hyun		D933,074 S	10/2021	Hu	
D906,334 S		12/2020	Du		D933,665 S	10/2021	Ke	
D906,338 S		12/2020	Hyun		D934,262 S	10/2021	Manzano et al.	
D906,341 S		12/2020	Jiao		D935,468 S	11/2021	Li	
					D936,659 S	11/2021	Li	
					D940,145 S	*	1/2022	Zhang D14/440

* cited by examiner

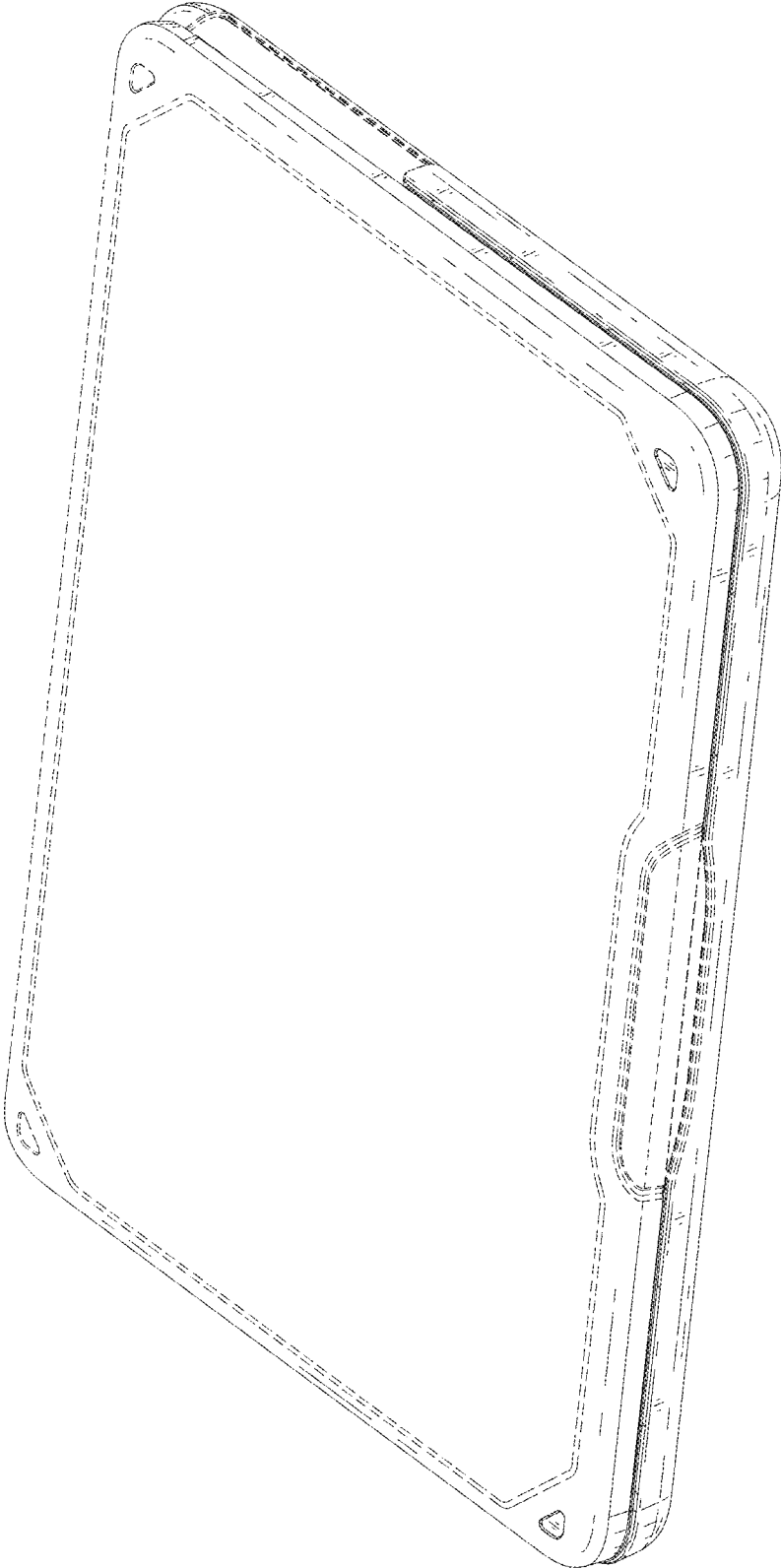


FIG. 1

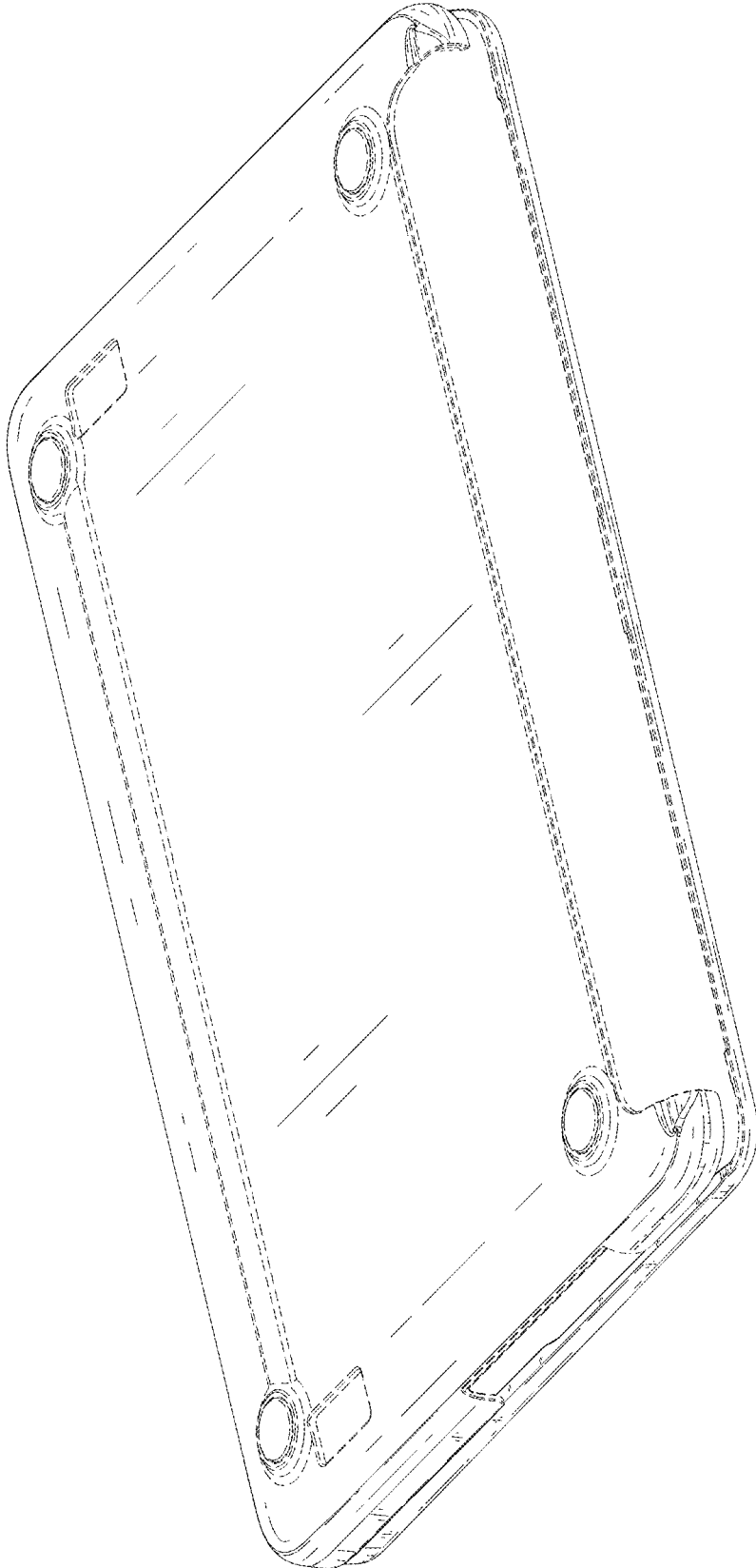


FIG. 2

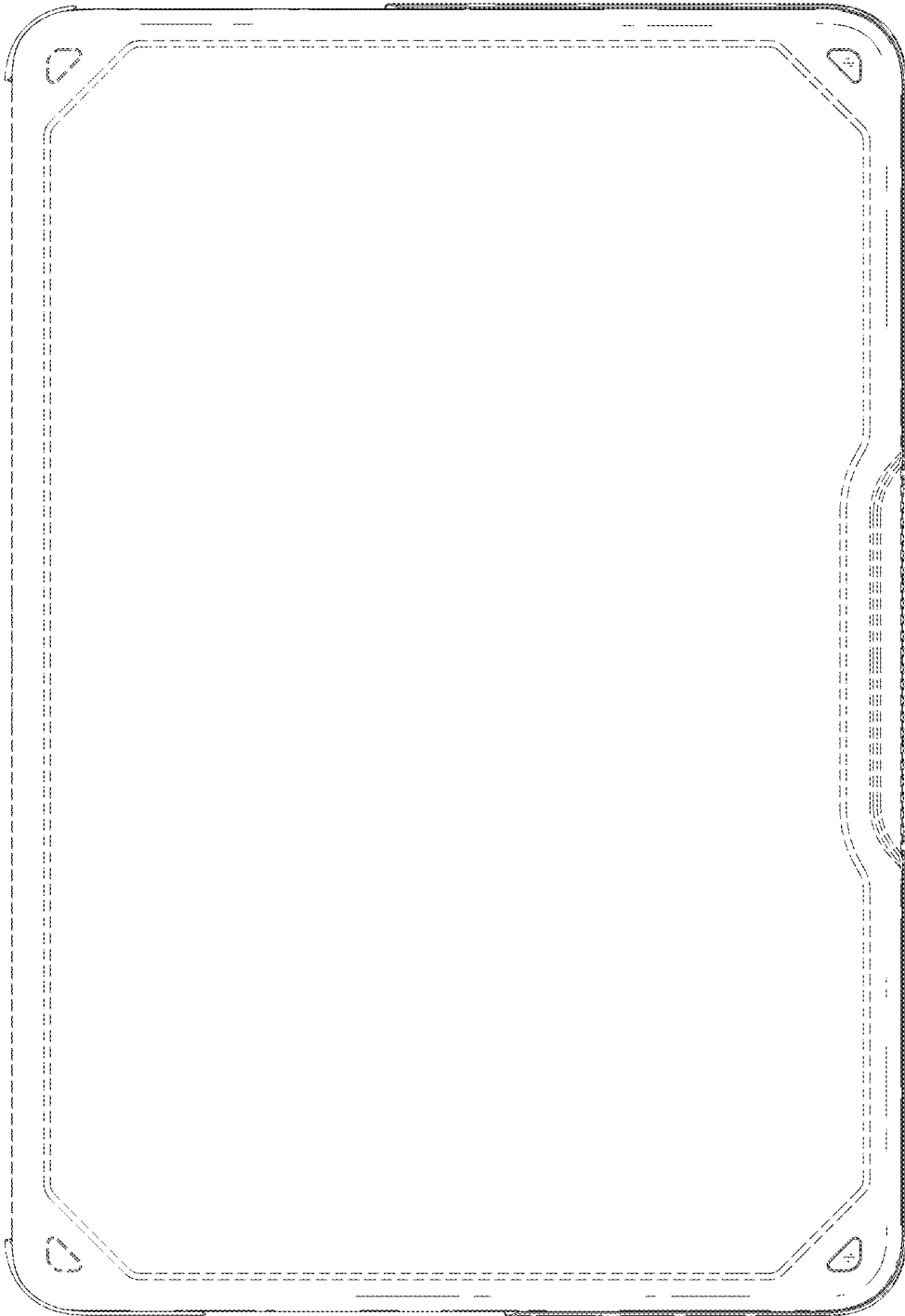


FIG. 3

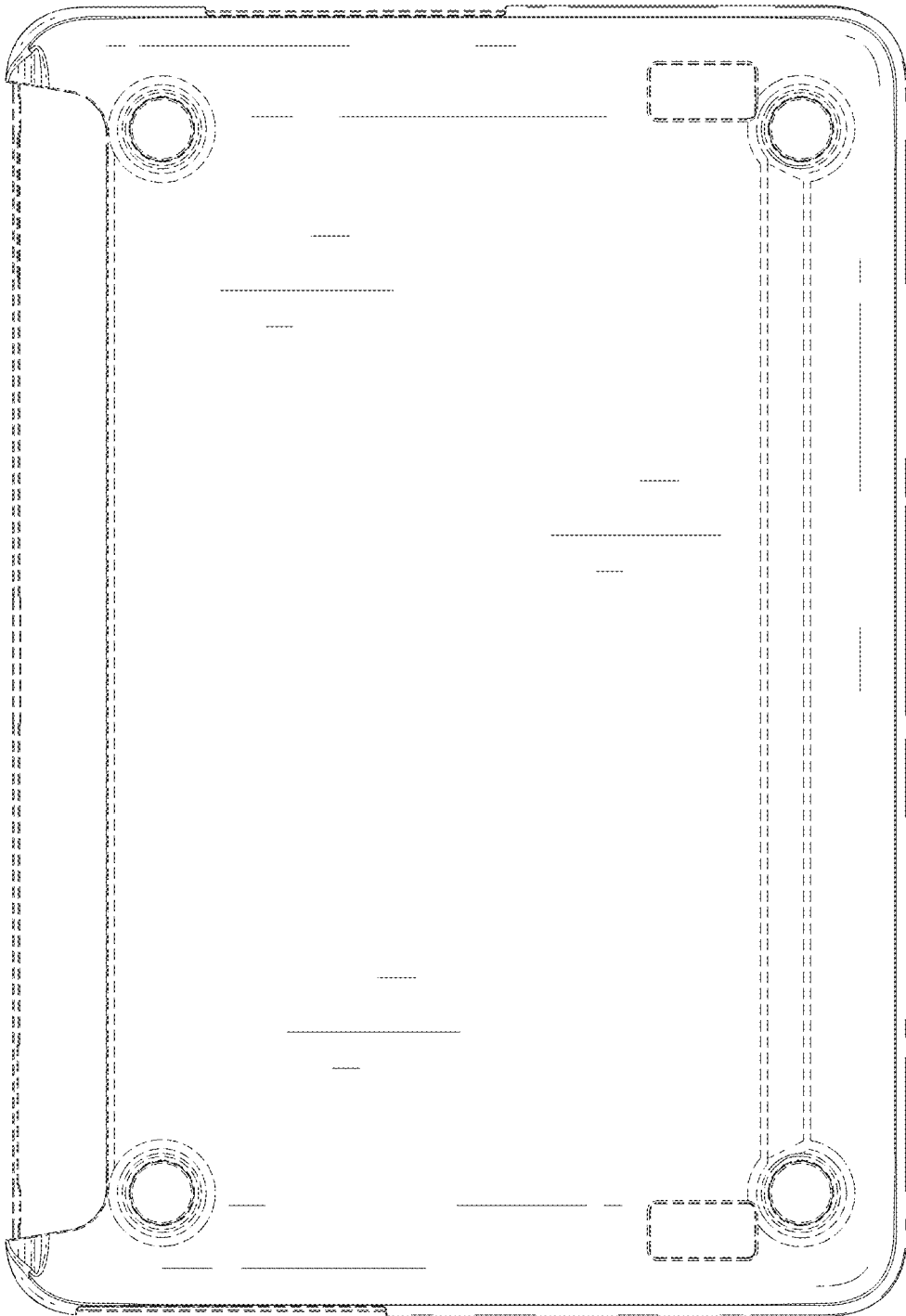


FIG. 4

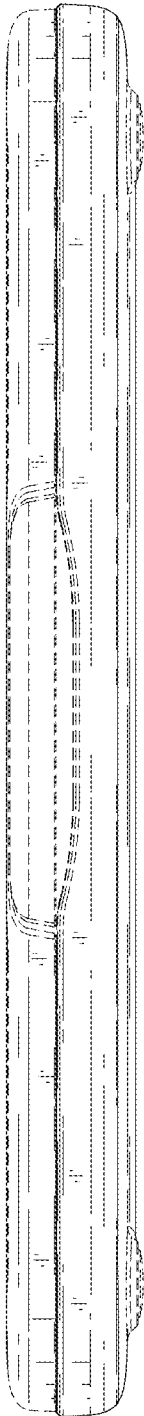


FIG. 5



FIG. 6

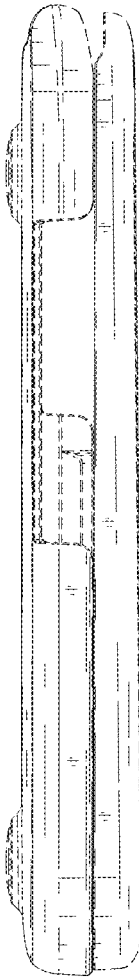


FIG. 7

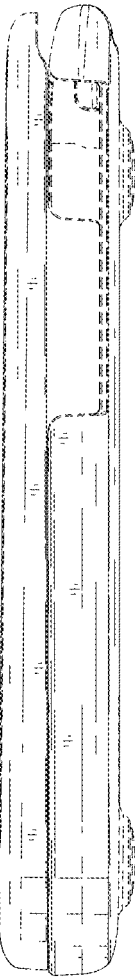


FIG. 8