



US00D562358S

(12) **United States Design Patent**
Landmesser

(10) **Patent No.:** **US D562,358 S**

(45) **Date of Patent:** **** Feb. 19, 2008**

(54) **FLAT AND CLOTHING FOR TEXTILE MACHINE**

(75) Inventor: **Thomas Landmesser**, Erkelenz (DE)

(73) Assignee: **Trutzschler GmbH & Co. KG**,
Monchengladbach (DE)

(**) Term: **14 Years**

(21) Appl. No.: **29/266,233**

(22) Filed: **Sep. 18, 2006**

(30) **Foreign Application Priority Data**

Mar. 18, 2006 (DE) 4 06 01 562

(51) **LOC (8) Cl.** **15-06**

(52) **U.S. Cl.** **D15/78**

(58) **Field of Classification Search** D15/66,
D15/72, 78; 112/1, 2, 222, 270, 400-402;
19/102, 108, 112-114

See application file for complete search history.

(56) **References Cited**

U.S. PATENT DOCUMENTS

4,356,597 A *	11/1982	Graf	19/113
4,513,480 A *	4/1985	Bisquolm et al.	19/113
4,528,724 A *	7/1985	Bisquolm	19/113
5,230,124 A *	7/1993	Booth	19/112
5,755,012 A *	5/1998	Hollingsworth	19/114
5,898,978 A *	5/1999	Hollingsworth et al.	19/114

6,101,680 A *	8/2000	Naf et al.	19/102
6,170,124 B1 *	1/2001	Graf	19/114
D445,433 S *	7/2001	Hollingsworth	D15/78
6,578,237 B1 *	6/2003	Patelli et al.	19/108
7,062,819 B2 *	6/2006	Patelli et al.	19/102
2003/0097733 A1 *	5/2003	Patelli et al.	19/108
2005/0034278 A1 *	2/2005	Trivedi et al.	19/98

* cited by examiner

Primary Examiner—Stella M. Reid

Assistant Examiner—Shanda C. Hill

(74) *Attorney, Agent, or Firm*—Venable LLP; Robert Kinberg

(57) **CLAIM**

The ornamental design for a flat and clothing for textile machine, as shown and described.

DESCRIPTION

FIG. 1 is a perspective view from the front-top-left side of the flat and clothing for textile machine showing our new design;

FIG. 2 is a front view of the design shown in FIG. 1;

FIG. 3 is a rear view of the design shown in FIG. 1;

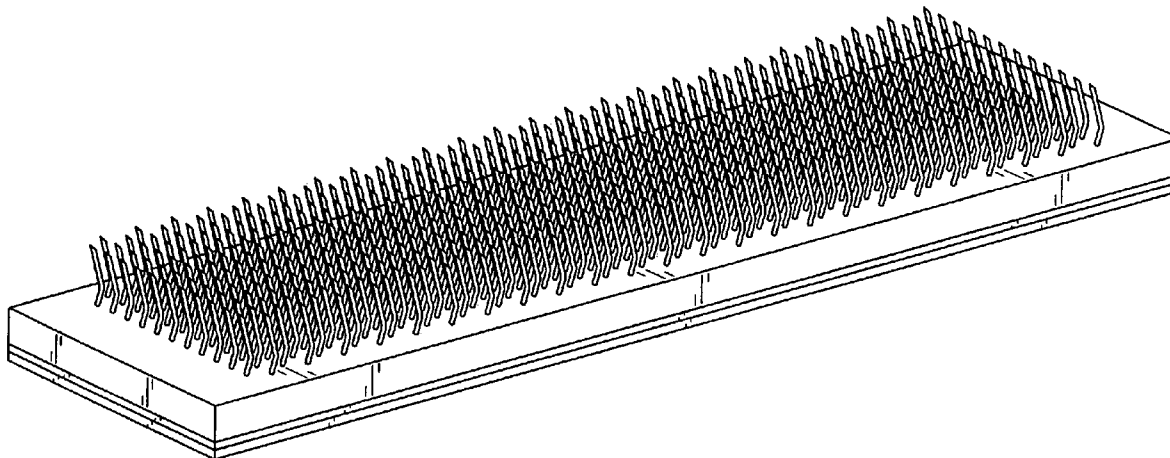
FIG. 4 is a left side view of the design shown in FIG. 1;

FIG. 5 is a right side view of the design shown in FIG. 1;

FIG. 6 is a top view of the design shown in FIG. 1; and,

FIG. 7 is a bottom view of the design shown in FIG. 1.

1 Claim, 4 Drawing Sheets



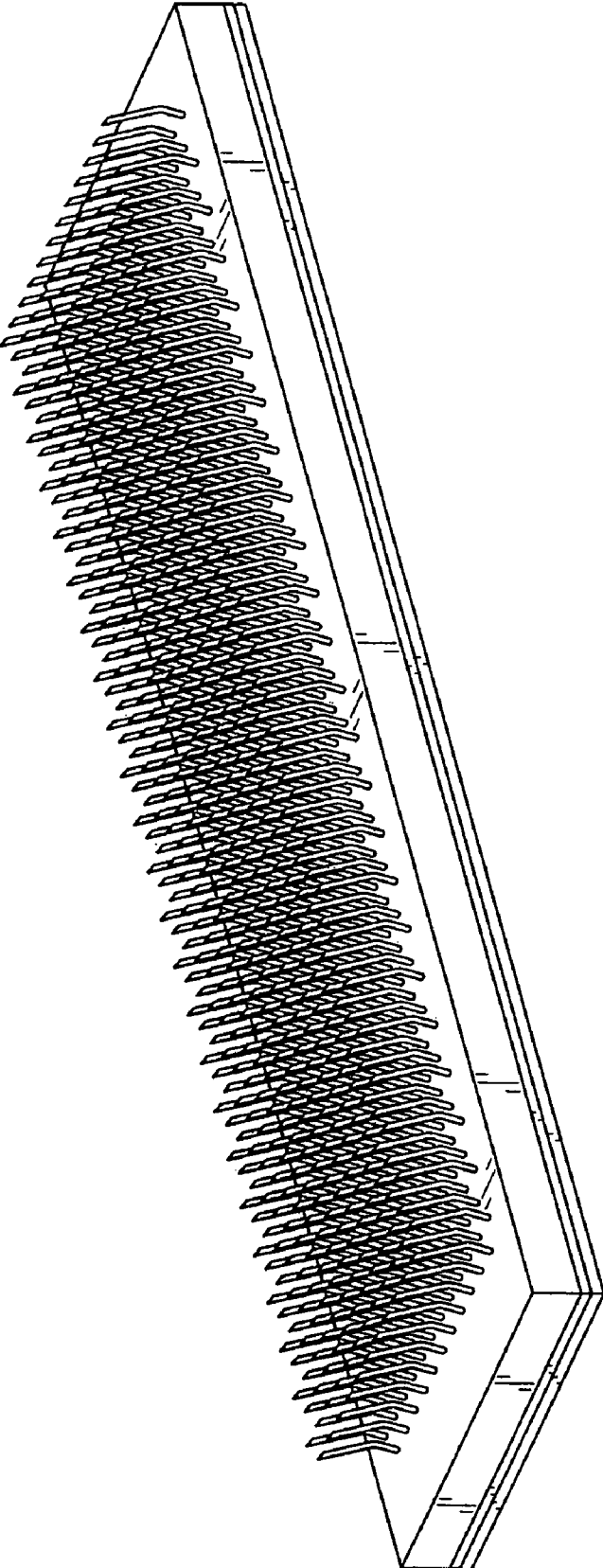


FIG. 1

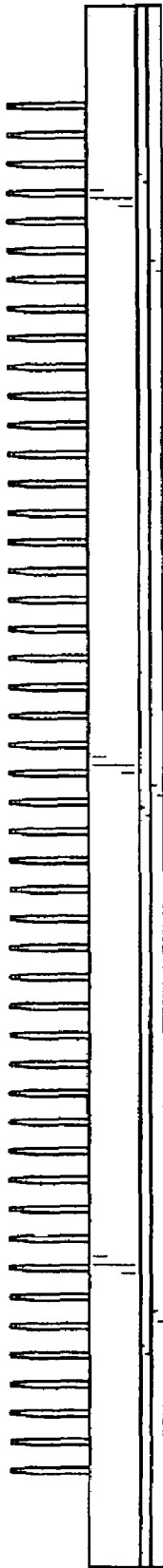


FIG. 2

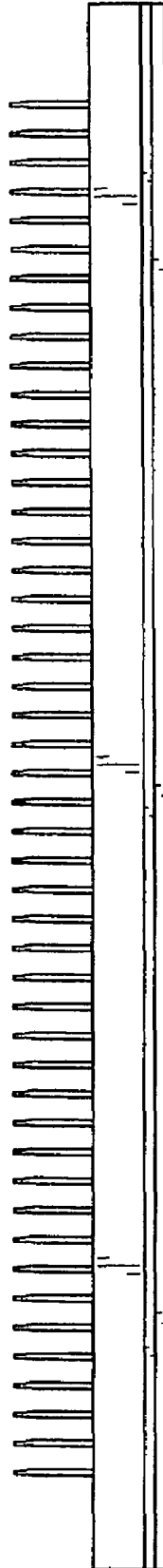


FIG. 3

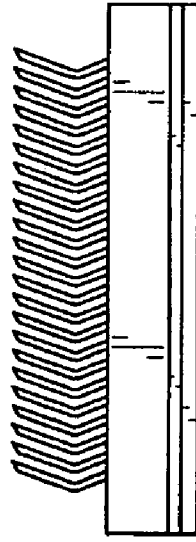


FIG. 4

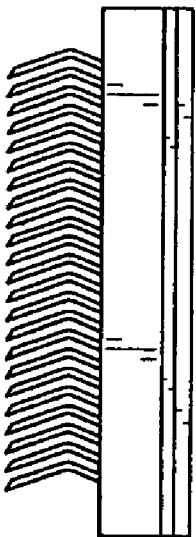


FIG. 5

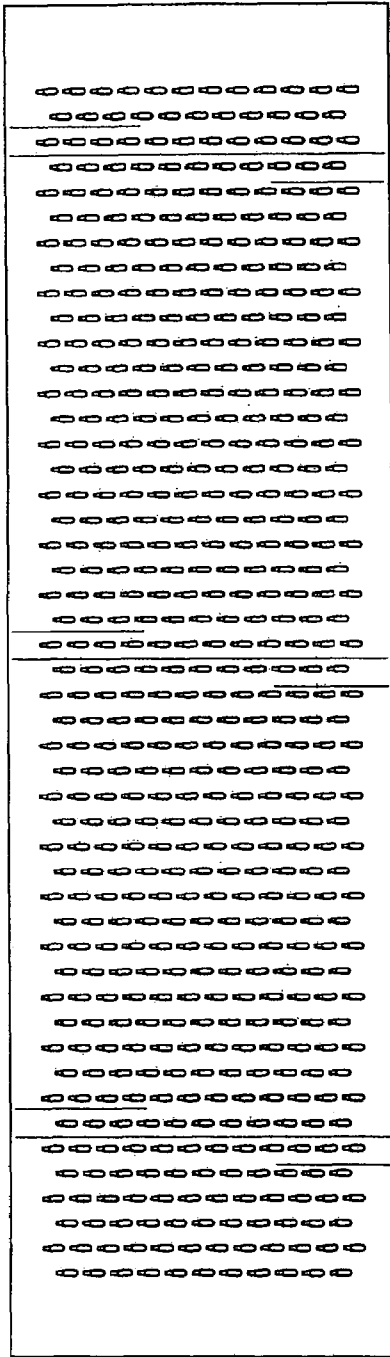


FIG. 6

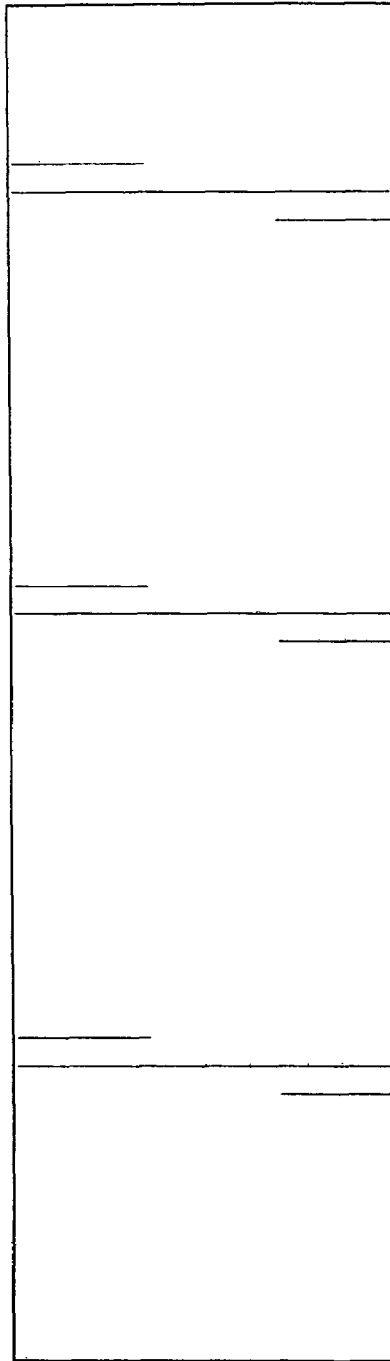


FIG. 7