



US00D774007S

(12) **United States Design Patent** (10) **Patent No.:** **US D774,007 S**
Ryan (45) **Date of Patent:** **** Dec. 13, 2016**

(54) **ELECTRICAL ENCLOSURE FOR MATERIAL HANDLING EQUIPMENT**

(71) Applicant: **The Raymond Corporation**, Greene, NY (US)

(72) Inventor: **Howard Scott Ryan**, Skaneateles, NY (US)

(73) Assignee: **The Raymond Corporation**, Greene, NY (US)

(**) Term: **14 Years**

(21) Appl. No.: **29/497,184**

(22) Filed: **Jul. 22, 2014**

Related U.S. Application Data

(62) Division of application No. 29/438,746, filed on Dec. 3, 2012, now Pat. No. Des. 741,824.

(51) **LOC (10) Cl.** **13-99**

(52) **U.S. Cl.**
USPC **D13/184**; D13/162

(58) **Field of Classification Search**
USPC ... D10/65, 66, 67, 68, 70, 74, 80, 114.9, 78; 701/213; 455/575.1, 575.4; D14/138, 341, D14/383, 385, 387, 159; D13/184, 162, D13/173, 177
CPC . H03J 2200/22; H03J 2200/23; H03J 2200/24
See application file for complete search history.

(56) **References Cited**

U.S. PATENT DOCUMENTS

D343,362 S * 1/1994 Soren D10/65
D468,652 S * 1/2003 Steiner D10/65
D469,367 S * 1/2003 Mirabelli D10/65
D486,083 S * 2/2004 Laverick D10/65

D508,213 S * 8/2005 Silzer, Jr. D10/65
D518,396 S * 4/2006 Jopling D10/80
D531,067 S * 10/2006 Baumgaertner D10/65
D540,204 S * 4/2007 Aguilar D10/65
D569,836 S * 5/2008 Han D14/138 AD
D589,018 S * 3/2009 Jeoung D14/138 AD
D590,794 S * 4/2009 Jeoung D14/138 AD
D593,980 S * 6/2009 Lee D14/138 AD
D594,358 S * 6/2009 Lammers-Meis D10/65
D596,152 S * 7/2009 Hong D14/138 AD
D609,681 S * 2/2010 Cho D14/138 AD
D659,562 S * 5/2012 Groener D10/65
D665,767 S * 8/2012 Hancock D14/159
D691,966 S * 10/2013 Stossell D13/162

* cited by examiner

Primary Examiner — Lakiya Rogers
Assistant Examiner — Harold Blackwell, II
(74) *Attorney, Agent, or Firm* — Quarles & Brady LLP

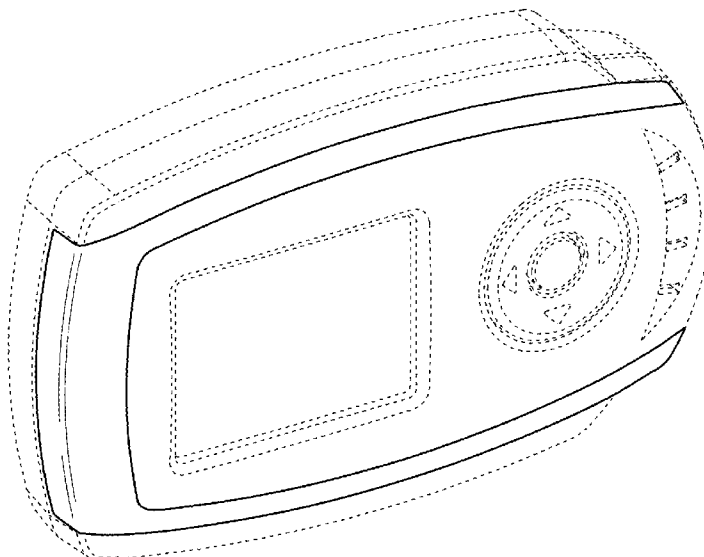
(57) **CLAIM**

The ornamental design for an electrical enclosure for material handling equipment, as shown and described.

DESCRIPTION

FIG. 1 is a top, left, front perspective view an electrical enclosure for material handling equipment, embodying my new design;
FIG. 2 is a front elevational view thereof;
FIG. 3 is a left elevational view thereof;
FIG. 4 is a right elevational view thereof;
FIG. 5 is a top plan view thereof;
FIG. 6 is a bottom plan view thereof; and,
FIG. 7 is a rear elevational view thereof.
The broken line showing in FIGS. 1-7 of the electrical enclosure for material handling equipment illustrate portions of the electrical enclosure for material handling equipment which form no part of the claimed design.

1 Claim, 6 Drawing Sheets



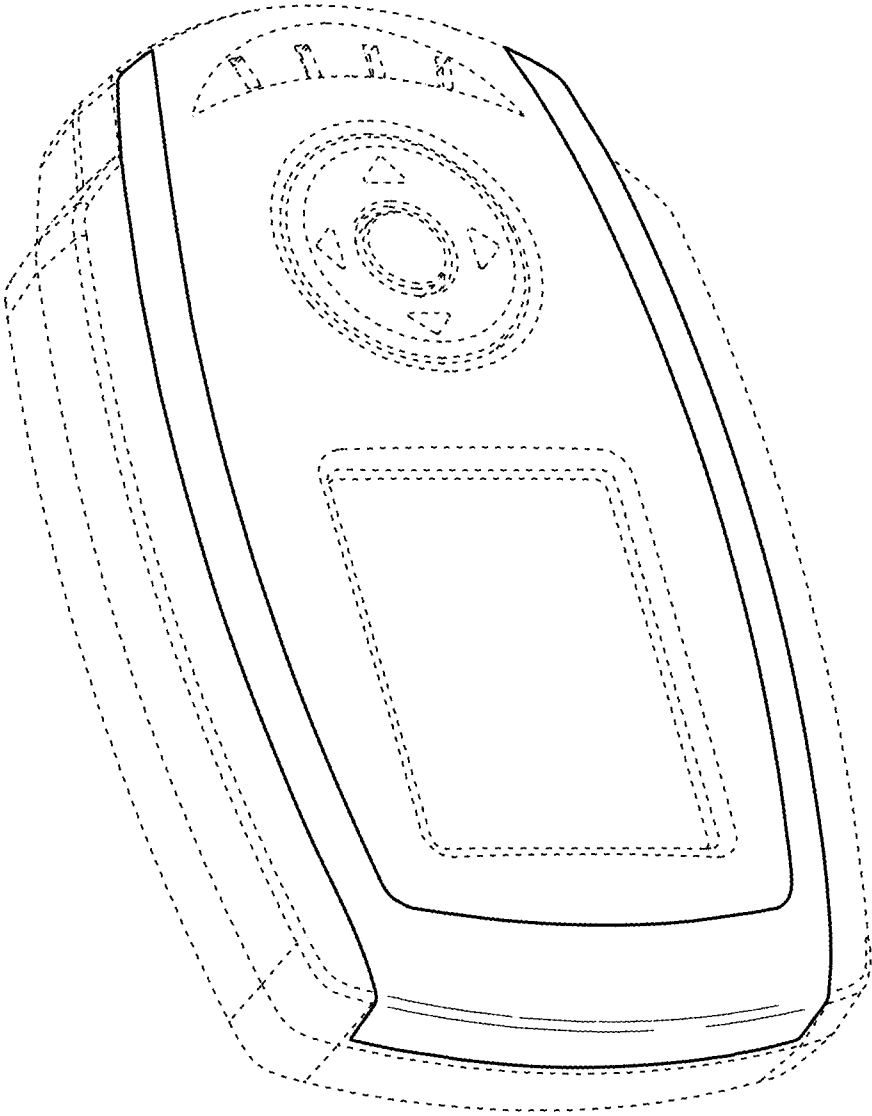


FIG. 1

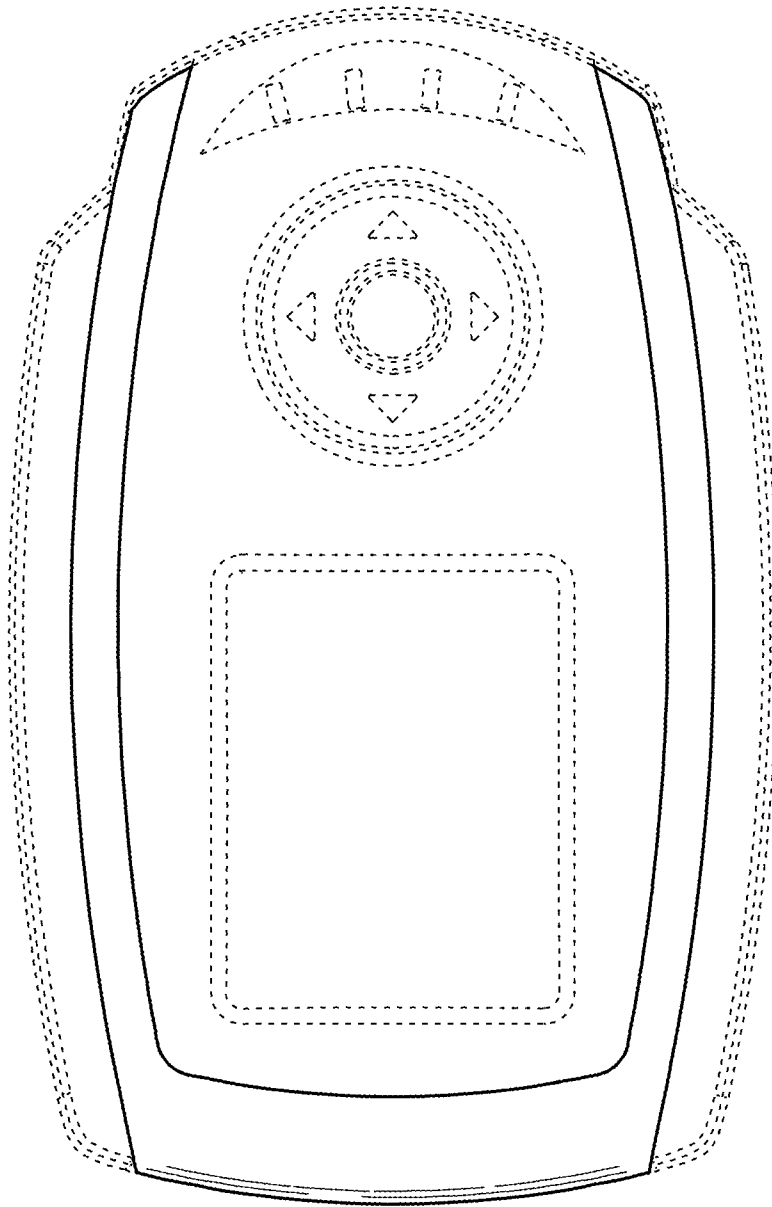


FIG. 2

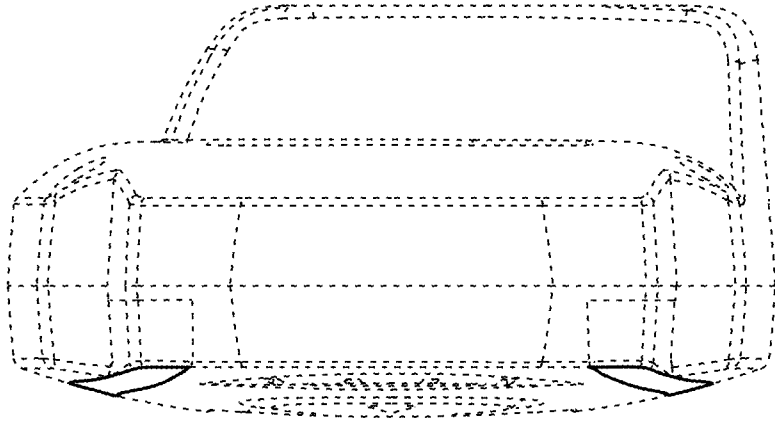


FIG. 4

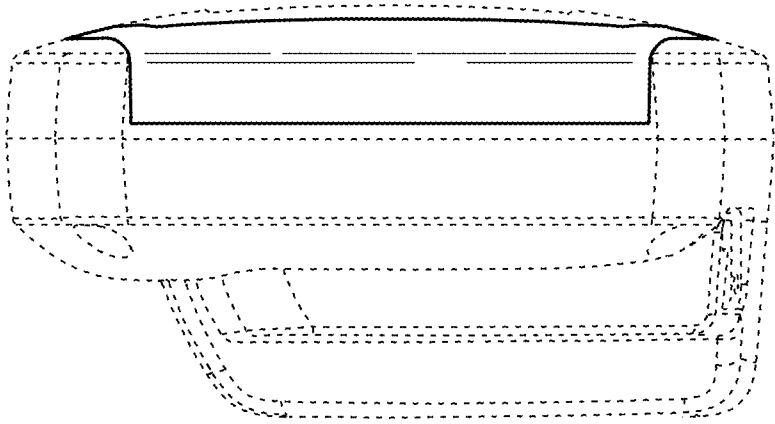


FIG. 3

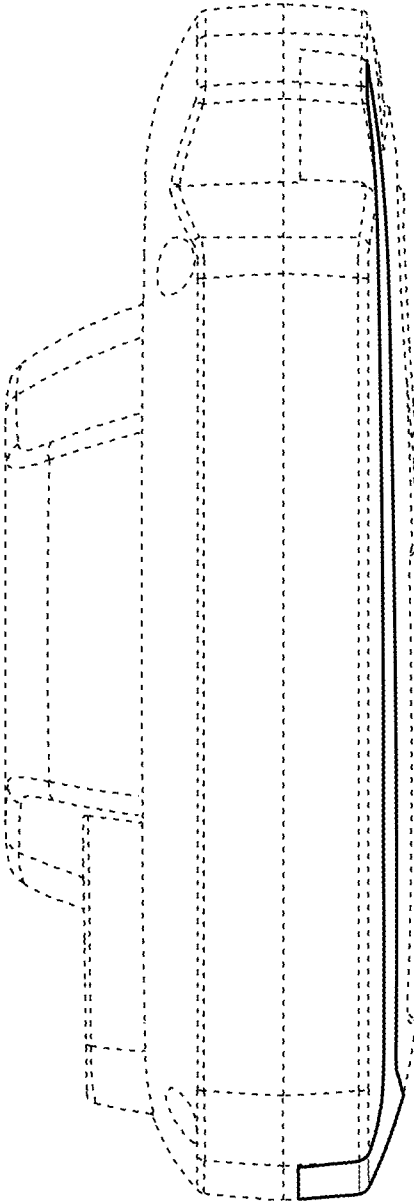


FIG. 5

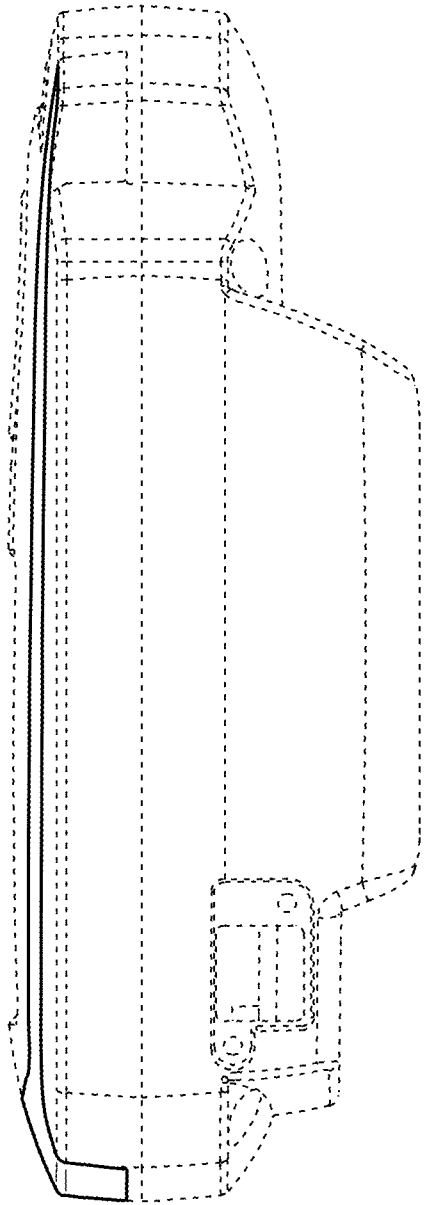


FIG. 6

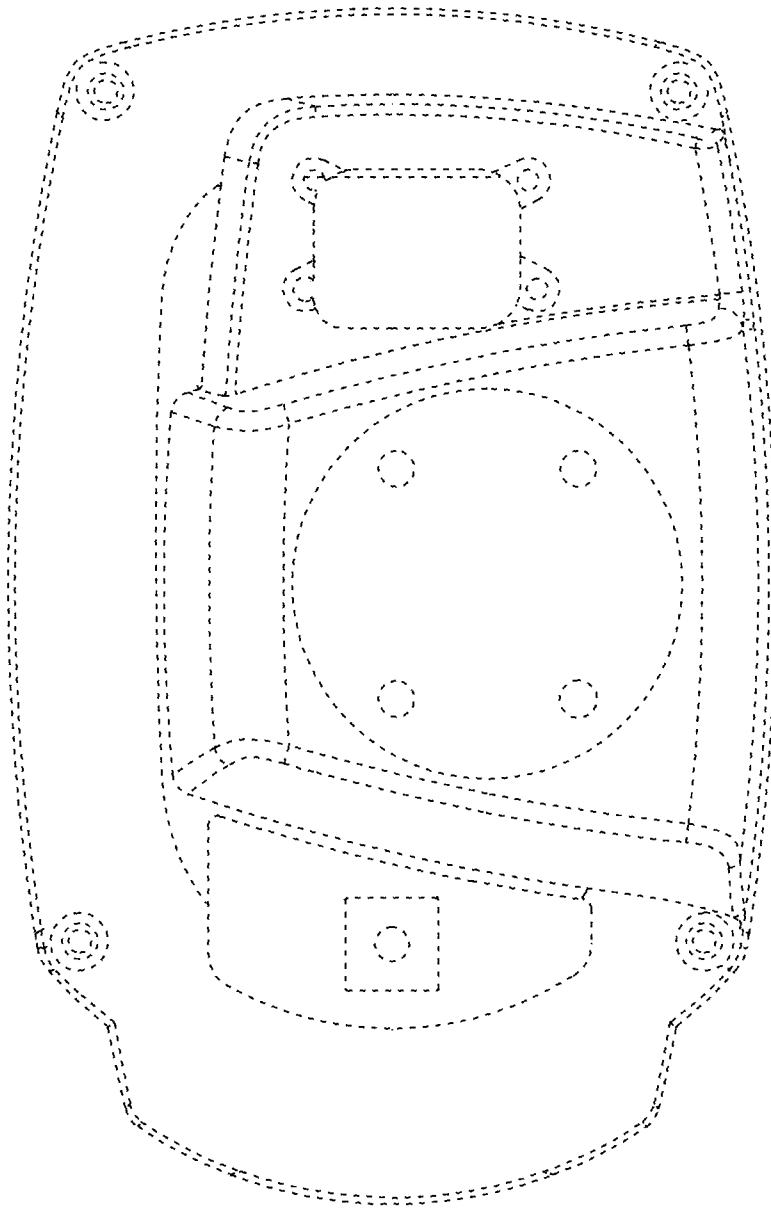


FIG. 7