



US00D358241S

United States Patent [19]

[11] Patent Number: **Des. 358,241**

Bradd

[45] Date of Patent: **** May 9, 1995**

[54] **CARPET EXTRACTOR**

[75] Inventor: **Sidney H. Bradd, Solon, Ohio**

[73] Assignee: **The Hoover Company, North Canton, Ohio**

[**] Term: **14 Years**

[21] Appl. No.: **5,972**

[22] Filed: **Feb. 5, 1993**

[52] U.S. Cl. **D32/22**

[58] Field of Search **D32/21, 22, 31-34; 15/323-326, 331-337, 347, 350-351, 361, 377, 412, 413, 415.1**

D. 305,269	12/1989	Dyson	D32/22
D. 305,373	1/1990	Yamamoto et al.	D32/22
D. 306,087	2/1990	Woodhall et al.	D32/22
D. 309,203	6/1990	Goodrich	D32/21
D. 343,707	1/1994	Dyson	D32/22
D. 345,830	4/1994	Furcron et al.	D32/22
D. 346,247	4/1994	Furcron et al.	D32/22
D. 346,467	4/1994	Furcron et al.	D32/22

Primary Examiner—Ruth McInroy

[57] **CLAIM**

The ornamental design for a carpet extractor, as shown and described.

DESCRIPTION

FIG. 1 is a left side elevational view of a carpet extractor showing my new design, the opposite side being a mirror image;

FIG. 2 is a front elevational view thereof;

FIG. 3 is a rear elevational view thereof; and,

FIG. 4 is a top plan view thereof.

The undisclosed bottom is unornamented.

[56] **References Cited**

U.S. PATENT DOCUMENTS

D. 211,109	5/1968	Gantz	D37/4
D. 220,969	6/1971	Rawson et al.	D15/7
D. 287,894	1/1987	Watkins et al.	D32/22
D. 288,016	1/1987	Watkins et al.	D32/22

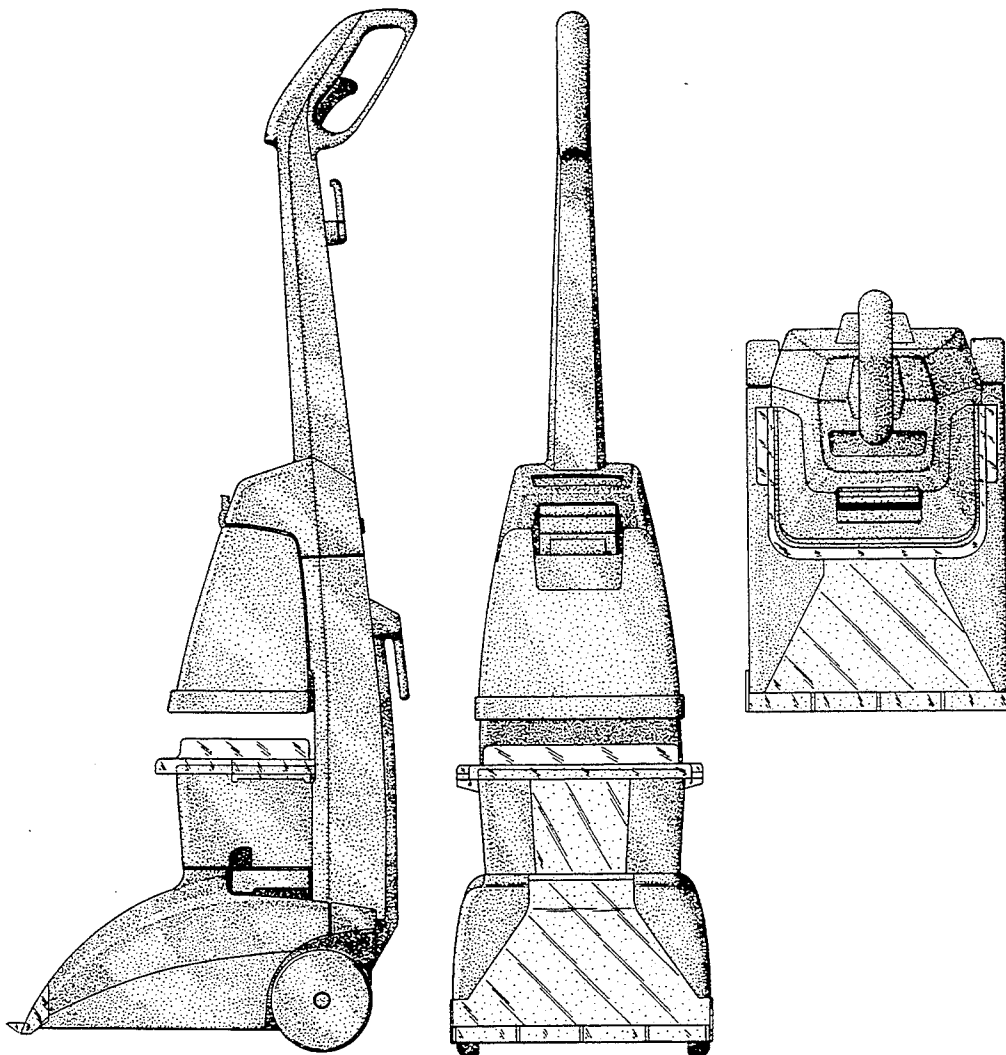


FIG. - 1

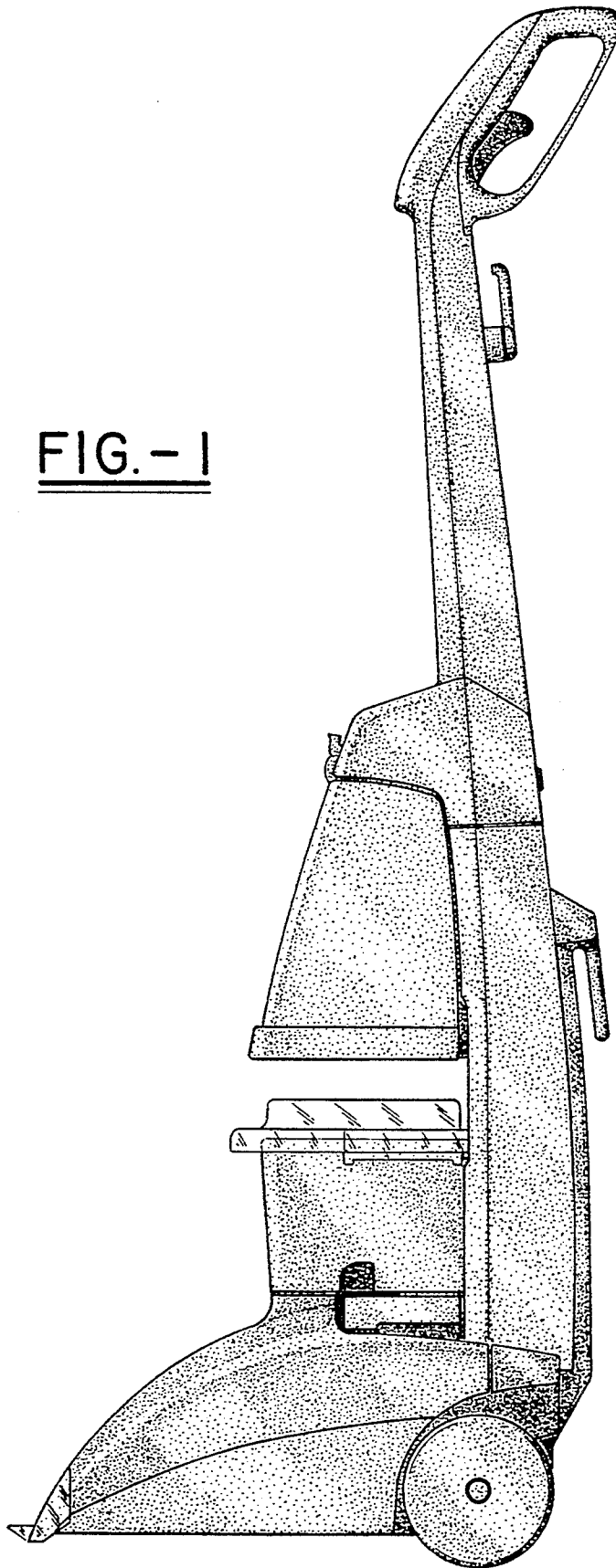
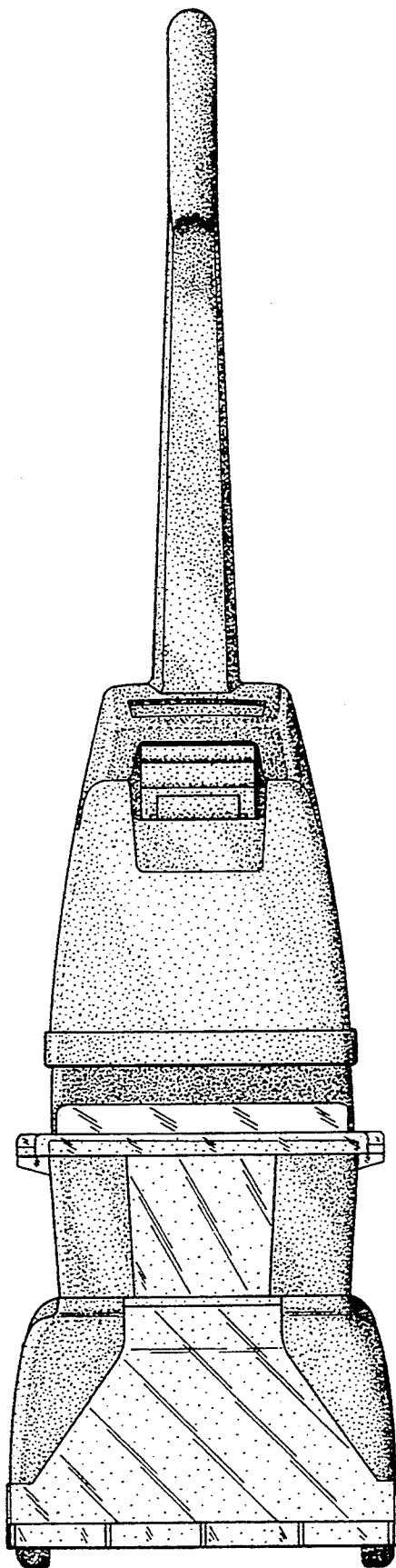


FIG.-2



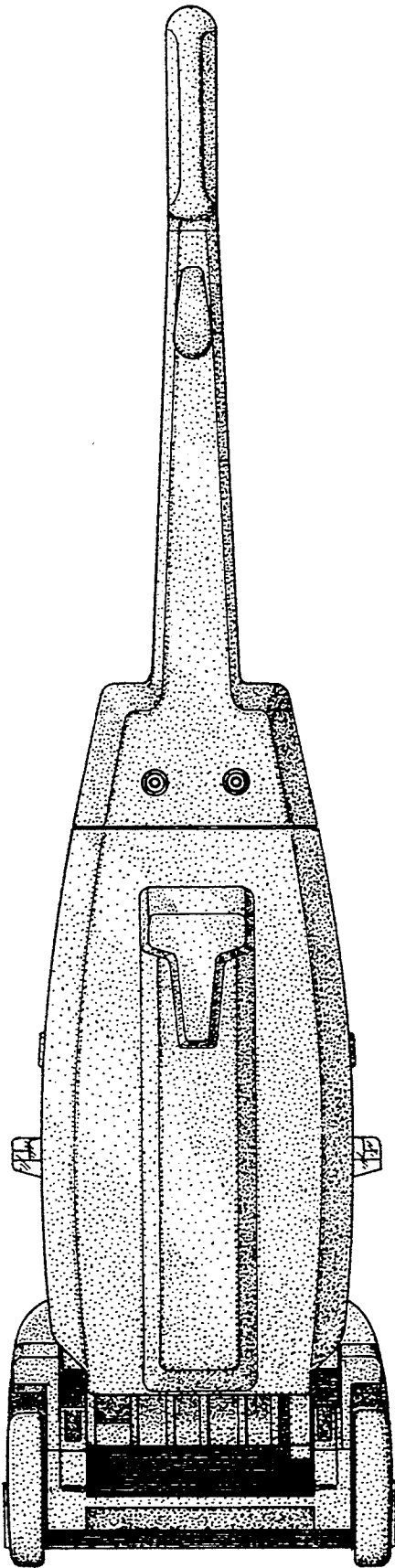


FIG.-3

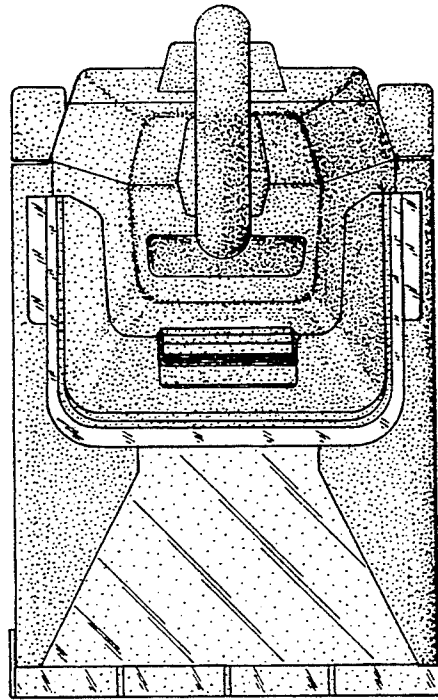


FIG.-4