



US00D640248S

(12) **United States Design Patent**  
**Baumann et al.**

(10) **Patent No.:** **US D640,248 S**

(45) **Date of Patent:** **\*\* Jun. 21, 2011**

(54) **STAND**

(75) Inventors: **Scott Baumann**, Anacortes, WA (US);  
**Brian Wheeler**, Bellingham, WA (US)

(73) Assignee: **Glingo.com LLC**, Ferndale, WA (US)

(\*\*) Term: **14 Years**

(21) Appl. No.: **29/348,213**

(22) Filed: **Dec. 8, 2009**

(51) **LOC (9) Cl.** ..... **14-03**

(52) **U.S. Cl.** ..... **D14/253**

(58) **Field of Classification Search** ..... D14/140,  
D14/140.1, 142, 144, 145, 147-151, 217,  
D14/224, 229, 240, 242, 243, 252, 253, 299,  
D14/447, 483, 214, 224.1, 227, 434, 218,  
D14/216, 191, 496; D13/107-108, 168;  
361/679.41; 439/534; 320/10, 115, 116,  
320/107; D10/65

See application file for complete search history.

(56) **References Cited**

**U.S. PATENT DOCUMENTS**

D409,563 S *	5/1999	Haase et al. ....	D13/107
5,903,133 A *	5/1999	Amero et al. ....	320/107
D430,142 S *	8/2000	Kuo et al. ....	D14/216
D456,351 S *	4/2002	Yoneda ....	D13/108
D463,361 S *	9/2002	Ruohonen ....	D13/108
D467,238 S *	12/2002	Hlas et al. ....	D14/216
D468,305 S *	1/2003	Ma et al. ....	D14/253
D508,458 S *	8/2005	Solland et al. ....	D13/108
D509,183 S *	9/2005	Solland et al. ....	D13/108
D521,927 S *	5/2006	Franck et al. ....	D13/108
D522,999 S *	6/2006	Smith-Adams et al. ....	D14/191
D524,243 S *	7/2006	Lee ....	D13/108
D524,282 S *	7/2006	Beasley et al. ....	D14/149
D525,583 S *	7/2006	Vu ....	D13/108

D535,969 S *	1/2007	Haney .....	D14/148
D536,665 S *	2/2007	Solland .....	D13/108
D553,123 S *	10/2007	Solland .....	D14/217
D554,108 S *	10/2007	Solland .....	D14/217
D570,836 S *	6/2008	Chen .....	D14/253
D590,839 S *	4/2009	Lewis .....	D14/496
D593,882 S *	6/2009	Scalisi .....	D10/65
D606,044 S *	12/2009	Lee .....	D14/217
D628,203 S *	11/2010	Noble .....	D14/447

**OTHER PUBLICATIONS**

Clingo parabolic sound sphere universal media dock, <URL: http://www.clingo.com/home-and-office/parabolic-sound-sphere>, retrieved from internet Feb. 9, 2011.\*

\* cited by examiner

*Primary Examiner* — Robert M Spear

*Assistant Examiner* — Carla Jobe Wright

(74) *Attorney, Agent, or Firm* — Tejpal S. Hansra

(57) **CLAIM**

The ornamental design for a stand, as shown and described.

**DESCRIPTION**

FIG. 1 is an isometric view of a stand showing our new design with an environmental handheld mobile electronic device shown in broken lines;

FIG. 2 is a front view thereof;

FIG. 3 is a right side view thereof;

FIG. 4 is a left side view thereof;

FIG. 5 is a back view thereof;

FIG. 6 is a top view thereof; and,

FIG. 7 is a bottom view thereof.

The broken lines in FIG. 1 illustrate unclaimed environment in which the stand may be used. The broken lines in FIG. 7 depict unclaimed portions of the stand.

**1 Claim, 2 Drawing Sheets**

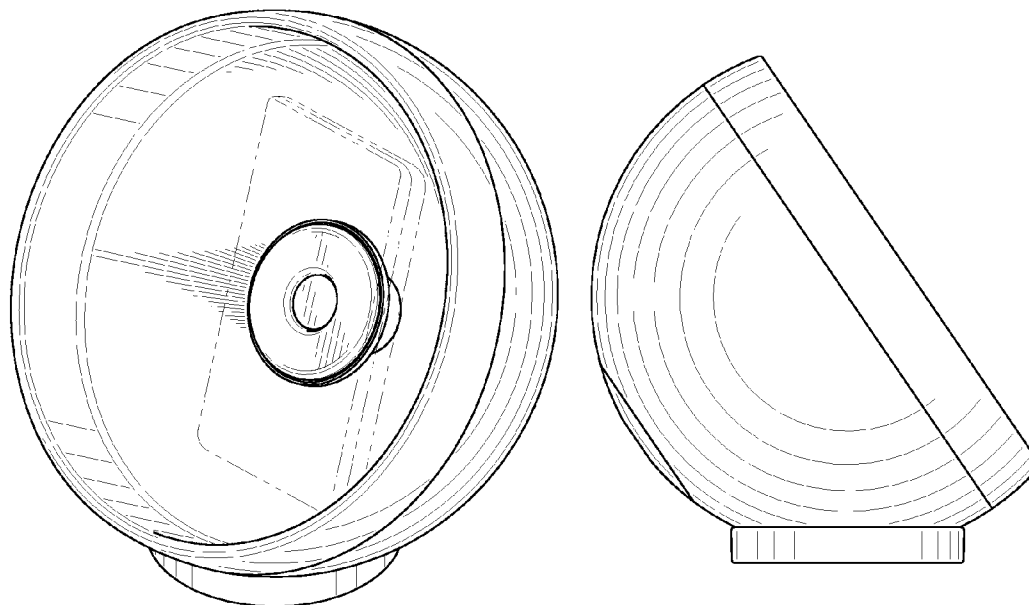


FIG. 1

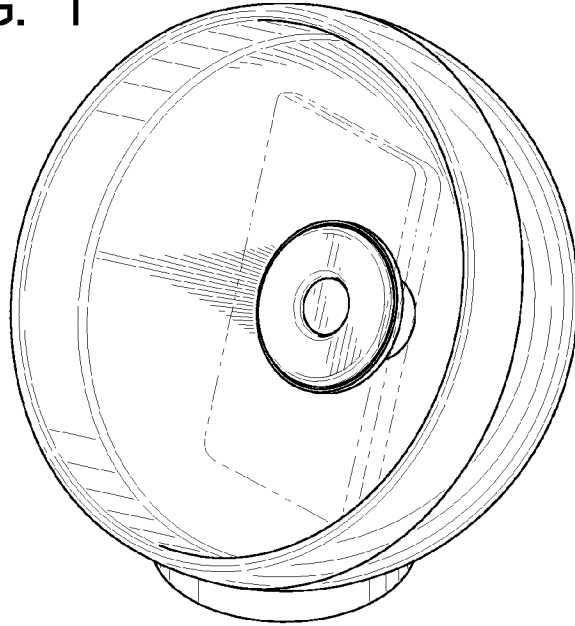


FIG. 2

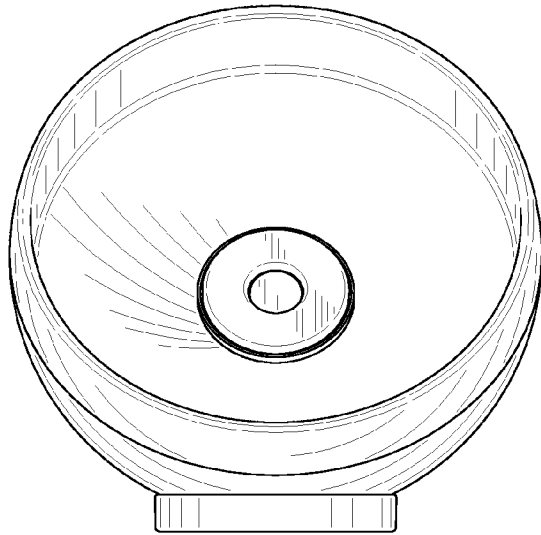


FIG. 3

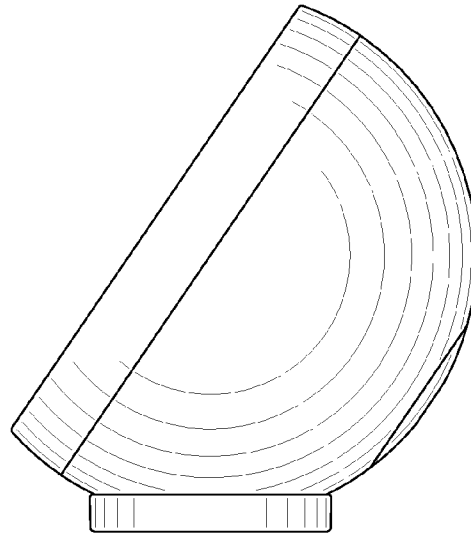


FIG. 4

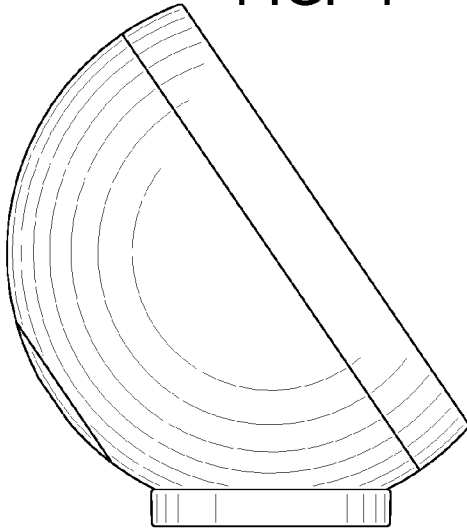


FIG. 5

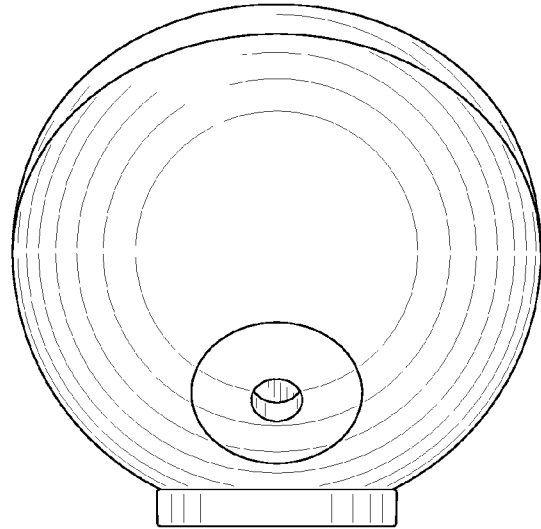


FIG. 6

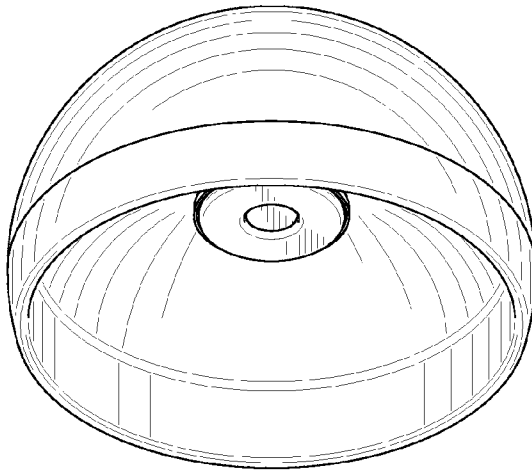
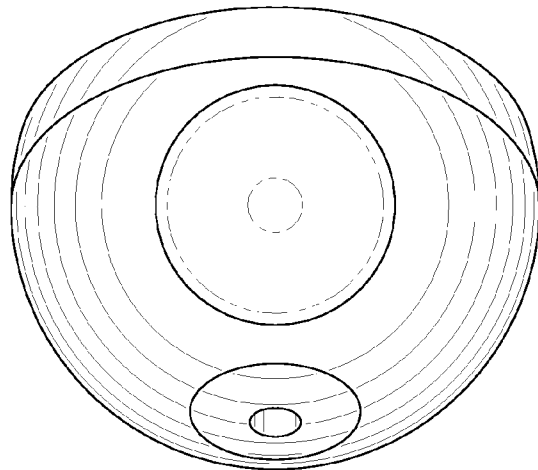


FIG. 7



UNITED STATES PATENT AND TRADEMARK OFFICE  
**CERTIFICATE OF CORRECTION**

PATENT NO. : D640,248 S  
APPLICATION NO. : 29/348213  
DATED : June 21, 2011  
INVENTOR(S) : Baumann et al.

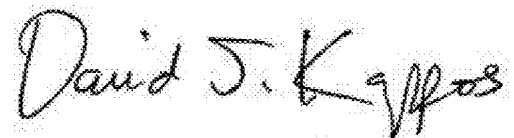
Page 1 of 1

It is certified that error appears in the above-identified patent and that said Letters Patent is hereby corrected as shown below:

Title page, ITEM [73], ASSIGNEE:

Please change the Assignee's name from "Glingo.com LLC" to --Clingo.com LLC--

Signed and Sealed this  
Fourth Day of October, 2011

A handwritten signature in black ink that reads "David J. Kappos". The signature is written in a cursive style with a large initial "D".

David J. Kappos  
*Director of the United States Patent and Trademark Office*