



US00D972724S

(12) **United States Design Patent** (10) **Patent No.:** **US D972,724 S**  
**Lee et al.** (45) **Date of Patent:** **\*\* Dec. 13, 2022**

(54) **PULLEY FOR SURGICAL INSTRUMENT** 2017/2911; A61B 2017/00738; A61B 2017/2908; A61B 2017/00477  
(71) Applicant: **LIVSMED INC.**, Seongnam-si (KR) See application file for complete search history.

(72) Inventors: **Jung Joo Lee**, Seongnam-si (KR);  
**Heejin Kim**, Seongnam-si (KR)

(56) **References Cited**

(73) Assignee: **LIVSMED INC.**, Seongnam-si (KR)

U.S. PATENT DOCUMENTS

(\*\*) Term: **15 Years**

(21) Appl. No.: **35/511,931**

(22) Filed: **Nov. 27, 2020**

D247,802 S *	5/1978	Meis	.....	D8/360
4,756,313 A *	7/1988	Terwilliger	.....	G10K 11/355 600/104
4,981,460 A *	1/1991	Ojima	.....	F16H 7/08 210/500.21
D314,905 S *	2/1991	Kehm	.....	D8/360
5,226,906 A *	7/1993	Crombie	.....	B25B 23/101 606/86 R
D431,771 S *	10/2000	Westerfield	.....	D8/360
7,377,189 B2 *	5/2008	Champseix	.....	G01N 35/1079 422/68.1
7,658,264 B2 *	2/2010	Mauthner	.....	B66D 3/046 182/5
D658,487 S *	5/2012	Chih	.....	D8/360

(80) **Hague Agreement Data**

Int. Filing Date: **Nov. 27, 2020**  
Int. Reg. No.: **DM/212340**  
Int. Reg. Date: **Nov. 27, 2020**  
Int. Reg. Pub. Date: **May 28, 2021**

(Continued)

*Primary Examiner* — Richard E Chilcot  
(74) *Attorney, Agent, or Firm* — Bridgeway IP Law Group, PLLC; Sang Ho Lee; Hyun Woo Shin

(30) **Foreign Application Priority Data**

Sep. 29, 2020 (KR) ..... 30-2020-0047382

(51) **LOC (13) Cl.** ..... **24-02**

(57) **CLAIM**

(52) **U.S. Cl.**

USPC ..... **D24/137**; D8/360  
CPC ..... **A61B 34/71** (2016.02)

The ornamental design for pulley for surgical instrument, as shown and described.

(58) **Field of Classification Search**

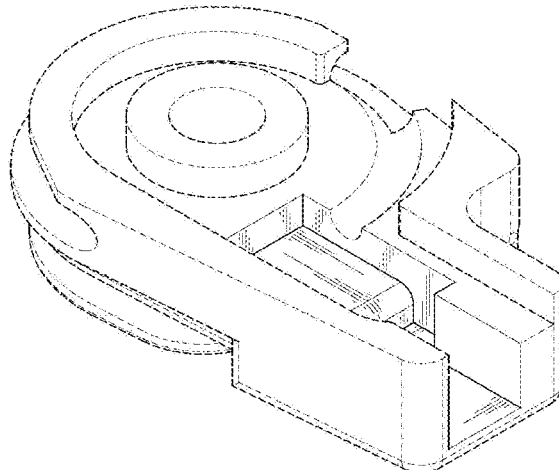
USPC ..... D24/127, 130, 133, 137, 146, 147, 106,  
D24/108, 109, 112, 187, 196, 200, 210,  
D24/214, 113, 114, 115, 116, 117, 134,  
D24/136; D8/14, 16, 19, 21, 34, 77, 82,  
D8/83, 84, 85, 86, 107, 300, 303, 314,  
D8/372, 374, 394  
CPC ..... A61B 17/2909; A61B 34/71; A61B  
17/00234; A61B 2017/00438; A61B  
2018/00083; A61B 2017/291; A61B  
2017/00424; A61B 2017/2944; A61B  
2017/00323; A61B 2017/2923; A61B  
18/1445; A61B 2017/2904; A61B

**DESCRIPTION**

- 1. Pulley for surgical instrument
- 1.1** : Perspective
- 1.2** : Front
- 1.3** : Back
- 1.4** : Left
- 1.5** : Right
- 1.6** : Top
- 1.7** : Bottom

The ornamental design for a pulley for surgical instrument, as shown and described; the dashed broken lines in the

(Continued)



drawings show portions of the pulley for surgical instrument that form no part of the claimed design.

**1 Claim, 7 Drawing Sheets**

(56)

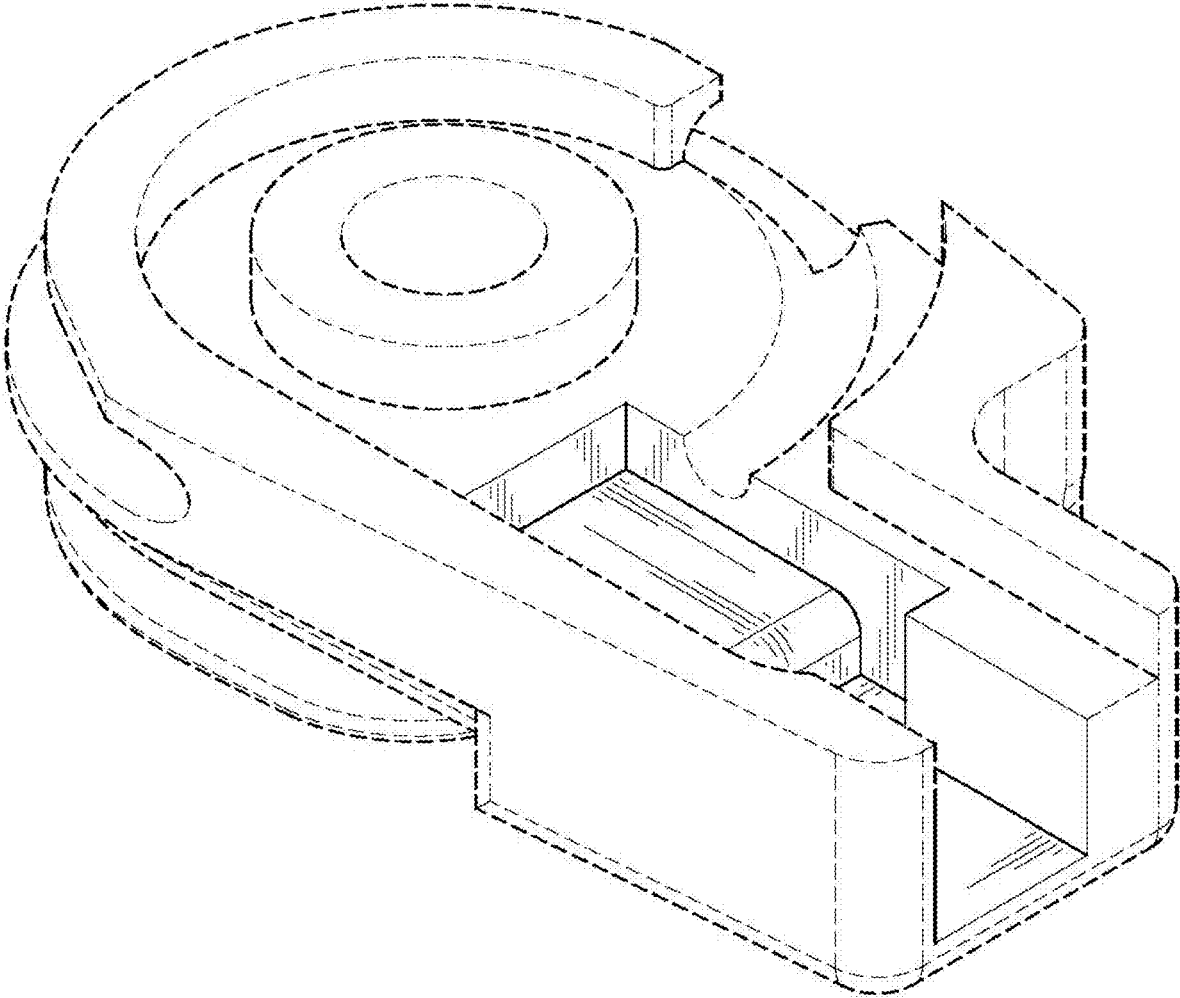
**References Cited**

U.S. PATENT DOCUMENTS

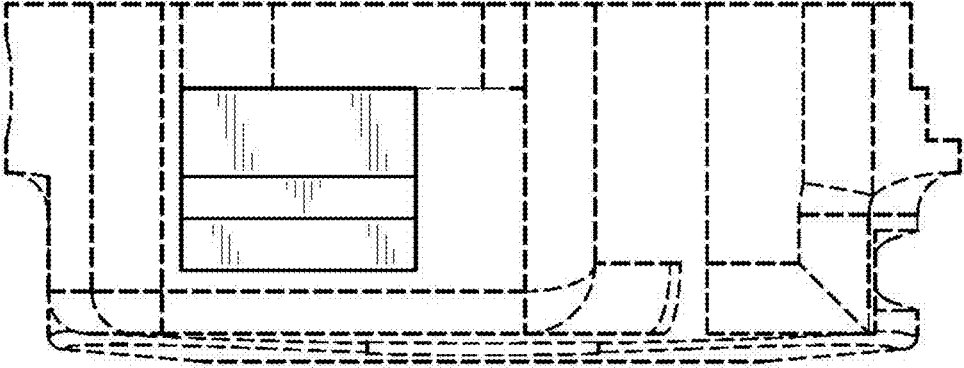
8,167,906	B2 *	5/2012	Cauldwell	.....	A61B 17/0401 606/232
9,695,916	B2 *	7/2017	Lee	.....	A61B 34/71
D860,766	S *	9/2019	Brown	.....	A62B 1/18 D8/360
10,695,141	B2 *	6/2020	Lee	.....	A61B 34/71
D893,286	S *	8/2020	Xu	.....	D8/360
10,828,516	B2 *	11/2020	Chabod	.....	A62B 1/10
D908,873	S *	1/2021	Kwon	.....	D24/133
D910,172	S *	2/2021	Kwon	.....	D24/133
D920,083	S *	5/2021	Yu	.....	D8/360
D936,462	S *	11/2021	Cao	.....	D8/360
D943,096	S *	2/2022	Lee	.....	D24/137
11,278,302	B2 *	3/2022	Lee	.....	A61B 17/29
D951,073	S *	5/2022	Lee	.....	D8/360
D951,442	S *	5/2022	Lee	.....	D24/133
D952,447	S *	5/2022	Jang	.....	D8/360
11,344,381	B2 *	5/2022	Lee	.....	A61B 17/2909
2020/0237466	A1 *	7/2020	Lee	.....	A61B 17/2909

\* cited by examiner

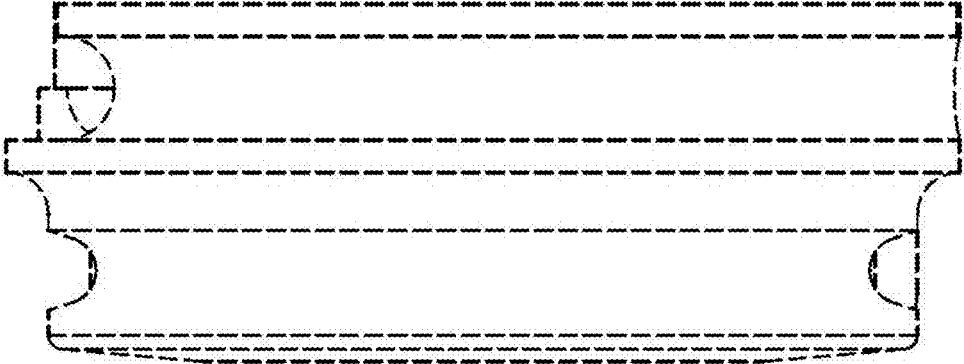
1.1



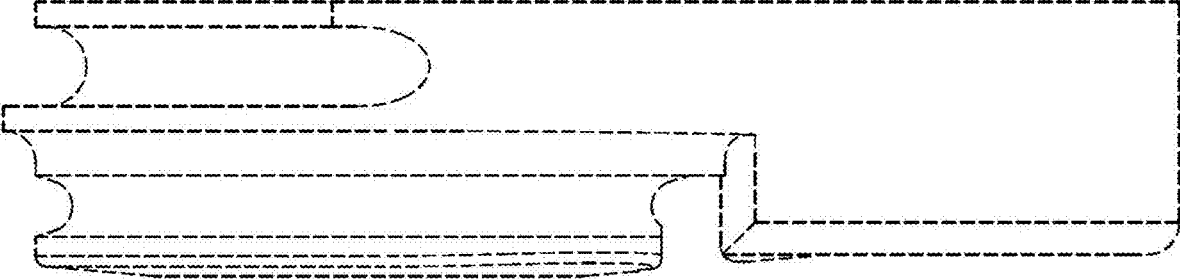
1.2



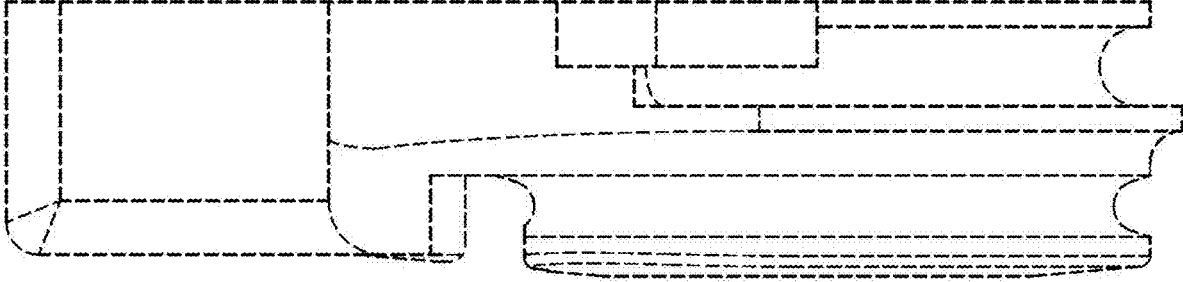
1.3



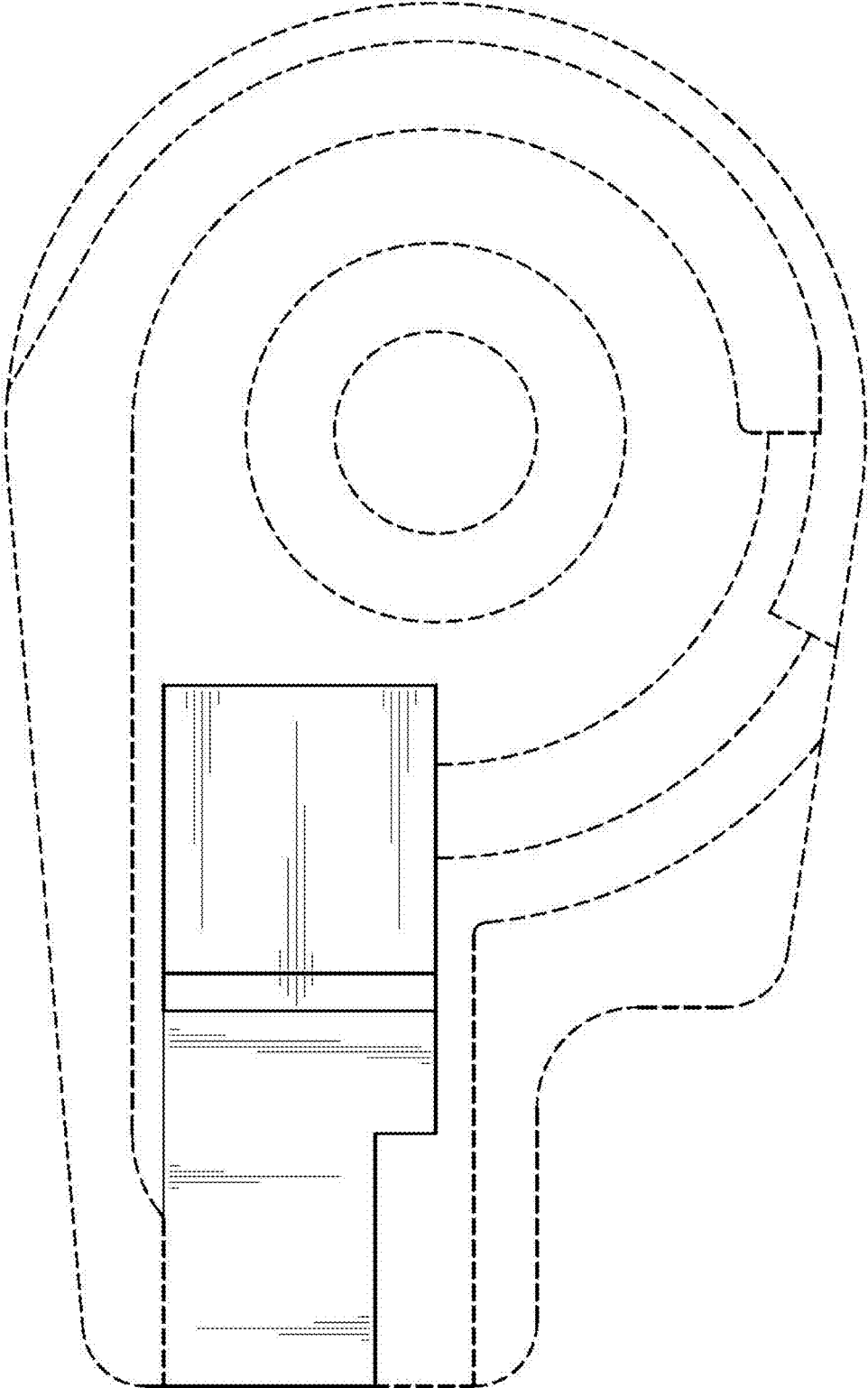
1.4



1.5



1.6





1.7

