

(19) World Intellectual Property Organization
International Bureau



(43) International Publication Date
22 September 2005 (22.09.2005)

PCT

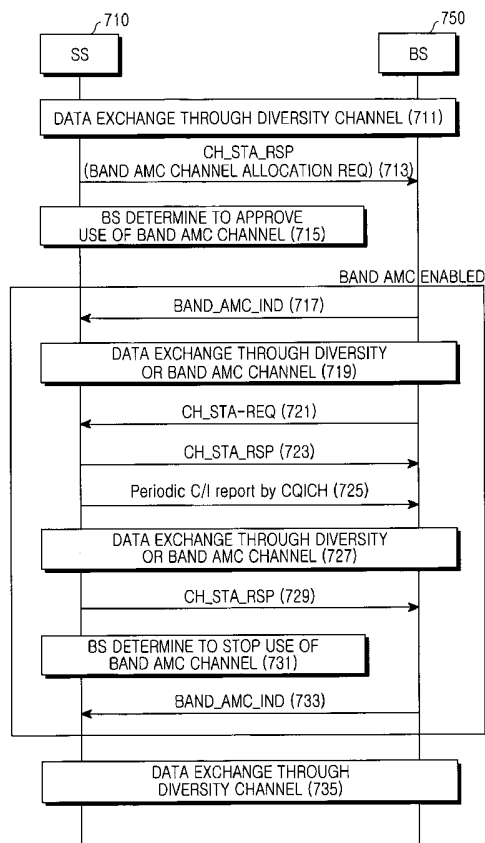
(10) International Publication Number
WO 2005/088873 A1

- (51) International Patent Classification⁷: H04B 7/26
- (21) International Application Number:
PCT/KR2005/000710
- (22) International Filing Date: 12 March 2005 (12.03.2005)
- (25) Filing Language: English
- (26) Publication Language: English
- (30) Priority Data:
10-2004-0017089 12 March 2004 (12.03.2004) KR
- (71) Applicant: SAMSUNG ELECTRONICS CO., LTD.
[KR/KR]; 416, Maetan-dong, Yeongtong-gu, Suwon-si,
Gyeonggi-do 442-742 (KR).
- (72) Inventors: KANG, Hyun-Jeong; #203, Dogokvilla,
954-6, Dogok 1-dong, Gangnam-gu, Seoul 135-860
(KR). HONG, Seung-Eun; #210-801, Woncheon Jugong
2-danji APT., Woncheon-dong, Yeongtong-gu, Su-
won-si, Gyeonggi-do 443-756 (KR). KANG, Hyun-Goo;

#202, 1255-7, Maetan-dong, Yeongtong-gu, Suwon-si, Gyeonggi-do 443-848 (KR). **CHANG, Hong-Sung**; #435-1802, Samsungraemian Cheongmyeongmaeul, Yeongtong-dong, Yeongtong-gu, Suwon-si, Gyeonggi-do 443-738 (KR). **PARK, Jung-Shin**; 892-20, Daerim 1-dong, Yeongdeungpo-gu, Seoul 150-818 (KR). **KOO, Chang-Hoi**; 2nd floor, 241-8, Jeongja-dong, Bundang-gu, Seongnam-si, Gyeonggi-do 463-010 (KR). **LIM, Geun-Hwi**; #101-301, Hyundai Villa, 41, Bundang-dong, Bundang-gu, Seongnam-si, Gyeonggi-do 463-831 (KR). **LEE, Sung-Jin**; #133-1701, Hwanggolmaeul, Yeongtong-dong, Paldal-gu, Suwon-si, Gyeonggi-do 443-740 (KR). **KIM, So-Hyun**; #531-1402, Shinan APT., Yeongtong-dong, Paldal-gu, Suwon-si, Gyeonggi-do 443-470 (KR). **SON, Yeong-Moon**; #102, Jeongwoovilla, 897-1, Anyang 3-dong, Manan-gu, Anyang-si, Gyeonggi-do 430-841 (KR). **LIM, Hyoung-Kyu**; #105-2305, Samhwan APT., Gaebong 2-dong, Guro-gu, Seoul 152-753 (KR). **SHIM, Jae-Jeong**; 3rd floor, 183-21, Donggyo-dong, Mapo-gu, Seoul 121-818 (KR). **SON, Jung-Je**; #401-905,

[Continued on next page]

(54) Title: SYSTEM AND METHOD FOR MANAGING A BAND AMC SUBCHANNEL IN AN ORTHOGONAL FREQUENCY DIVISION MULTIPLE ACCESS COMMUNICATION SYSTEM



(57) Abstract: ABSTRACT A method for allocating a band Adaptive Modulation and Coding (AMC) channel in a wireless communication system that divides a full frequency band into a plurality of subcarrier bands and includes subchannels, each of which is a set of a predetermined number of neighbor subcarrier bands. Upon recognizing a need for a band AMC channel, a subscriber station (SS) sends a request for allocation of the band AMC channel to a base station (BS). Upon receiving the band AMC channel allocation request, the BS determines if it can allocate the band AMC channel requested by the SS, considering a resource situation of the BS, and transmits information on the determination to the SS.

WO 2005/088873 A1



181, Sangnokmaeul Boseong APT., Jeongja-dong, Bundang-gu, Seongnam-si, Gyeonggi-do 463-787 (KR).

(74) **Agent:** LEE, Keon-Joo; Mihwa Bldg. 110-2, Myongryun-dong 4-ga, Chongro-gu, Seoul 110-524 (KR).

(81) **Designated States** (*unless otherwise indicated, for every kind of national protection available*): AE, AG, AL, AM, AT, AU, AZ, BA, BB, BG, BR, BW, BY, BZ, CA, CH, CN, CO, CR, CU, CZ, DE, DK, DM, DZ, EC, EE, EG, ES, FI, GB, GD, GE, GH, GM, HR, HU, ID, IL, IN, IS, JP, KE, KG, KP, KZ, LC, LK, LR, LS, LT, LU, LV, MA, MD, MG, MK, MN, MW, MX, MZ, NA, NI, NO, NZ, OM, PG, PH, PL, PT, RO, RU, SC, SD, SE, SG, SK, SL, SM, SY, TJ, TM, TN, TR, TT, TZ, UA, UG, US, UZ, VC, VN, YU, ZA, ZM, ZW.

(84) **Designated States** (*unless otherwise indicated, for every kind of regional protection available*): ARIPO (BW, GH, GM, KE, LS, MW, MZ, NA, SD, SL, SZ, TZ, UG, ZM, ZW), Eurasian (AM, AZ, BY, KG, KZ, MD, RU, TJ, TM), European (AT, BE, BG, CH, CY, CZ, DE, DK, EE, ES, FI, FR, GB, GR, HU, IE, IS, IT, LT, LU, MC, NL, PL, PT, RO, SE, SI, SK, TR), OAPI (BF, BJ, CF, CG, CI, CM, GA, GN, GQ, GW, ML, MR, NE, SN, TD, TG).

Published:

- with international search report
- before the expiration of the time limit for amending the claims and to be republished in the event of receipt of amendments

For two-letter codes and other abbreviations, refer to the "Guidance Notes on Codes and Abbreviations" appearing at the beginning of each regular issue of the PCT Gazette.

- 1 -

SYSTEM AND METHOD FOR MANAGING A BAND AMC
SUBCHANNEL IN AN ORTHOGONAL FREQUENCY DIVISION
MULTIPLE ACCESS COMMUNICATION SYSTEM

5 **BACKGROUND OF THE INVENTION**

1. Field of the Invention

10 The present invention relates generally to an Orthogonal Frequency Division Multiple Access (OFDMA) communication system, and in particular, to a system and method for managing a band AMC (Adaptive Modulation and Coding) channel in a communication system using a Time Division Duplex (TDD)-based OFDMA scheme (hereinafter referred to as a "TDD-OFDMA communication system").

15 2. Description of the Related Art

Research into a 4th generation (4G) communication system, which is the next generation communication system, is currently being conducted to provide users with differing services having various Qualities of Service (QoSs) and supporting a data rate of about 100 Mbps. Compared with the 4G communication system, a 3rd generation (3G) communication system generally supports a data rate of about 384 Kbps in an outdoor channel environment having poorer channel conditions, and supports a data rate of a maximum of 2 Mbps in an indoor channel environment having better channel conditions.

25 A wireless Local Area Network (LAN) system and a wireless Metropolitan Area Network (MAN) system generally support a data rate of 20 to 50 Mbps. Currently, therefore, active research into the 4G communication system is being carried out to develop a new communication system guaranteeing mobility and QoS in the wireless LAN system, and in order to develop the wireless MAN system guaranteeing a higher data rate, in order to support a high-speed service provided in the 4G communication system.

30

35 Accordingly, a great deal of research is being conducted on an Orthogonal Frequency Division Multiplexing (OFDM) scheme for high-speed data transmission through wired/wireless channels in the 4G communication system. The OFDM scheme is to a scheme of transmitting data using multiple carriers, and is a kind of a Multi-Carrier Modulation (MCM) scheme, which parallel-converts a serial input symbol stream into parallel symbols and modulates the parallel symbols with a plurality of orthogonal subcarriers, i.e., a

plurality of subcarrier channels, before transmission.

A multiple access scheme based on the OFDM scheme is the OFDMA scheme. In the OFDMA scheme, subcarriers in one OFDMA symbol are divided for a plurality of users, i.e., subscriber stations (SSs). Communication systems using the OFDM/OFDMA scheme include an Institute of Electrical and Electronics Engineers (IEEE) 802.16a communication system, an IEEE 802.16d communication system, and an IEEE 802.16e communication system. The IEEE 802.16d communication system is a system to which the OFDMA scheme is applied to support a broadband transmission network to a physical channel for the wireless MAN system. Further, the IEEE 802.16d communication system is a Broadband Wireless Access (BWA) communication system using a TDD-OFDMA scheme. Therefore, the IEEE 802.16d communication system, in which the OFDM/OFDMA scheme is applied to the wireless MAN system, transmits a physical channel signal using a plurality of subcarriers, thereby enabling high-speed, high-quality data transmission.

FIG. 1 is a diagram schematically illustrating a frame structure used in a conventional TDD-OFDMA communication system. Referring to FIG. 1, a frame used in the TDD-OFDMA scheme is divided into a downlink (DL) interval 149 and an uplink (UL) interval 153. A Transmit/receive Transition Gap (TTG) 151 is formed in an interval where transition occurs from the DL 149 to the UL 153, as a guard time, and a Receive/transmit Transition Gap (RTG) is formed in an interval where transition occurs from the UL 153 back to the DL 149, as a guard time. The TDD-OFDMA frame has a vertical axis including a plurality of subchannels 147 and a horizontal axis including a plurality of OFDMA symbols 145.

Describing the DL 149, a preamble 111 for synchronization acquisition is located in a k^{th} OFDMA symbol, and broadcast data information that SSs will receive in common, such as a frame control header (FCH) 113, DL-MAP 115, and UL-MAP 117, is located in a $(K+1)^{\text{th}}$ or $(K+2)^{\text{th}}$ OFDMA symbol. The FCH 113 includes two subchannels, and transmits basic information on subchannels, i.e., ranging and modulation schemes. DL bursts 121, 123, 125, 127, and 129 are located between the $(K+2)^{\text{th}}$ OFDMA symbol exclusive of a UL-MAP 119 and a $(K+8)^{\text{th}}$ OFDMA symbol.

Describing the UL 153, preambles 131, 133, and 135 are located in a $(K+9)^{\text{th}}$ OFDMA symbol, and UL bursts 137, 139, and 141 are located between a $(K+10)^{\text{th}}$ OFDMA symbol and a $(K+12)^{\text{th}}$ OFDMA symbol. In addition, a ranging

subchannel 143 is located between the $(K+9)^{\text{th}}$ OFDMA symbol and the $(K+12)^{\text{th}}$ OFDMA symbol.

5 Information on positions and allocation of the UL bursts 137, 139, and 141 and the DL bursts 121, 123, 125, 127, and 129 is provided from a base station (BS) controlling a particular cell to SSs, which are located in the cell, through the DL-MAP 115 and the UL-MAP 117. The SSs are variably allocated subchannels, each of which a combination of frequencies and symbols, through the information every frame, and perform communication using the allocated subchannels. That is, 10 the SSs can use different subchannels every frame, instead of fixed subchannels. Also, in a neighbor cell, SSs perform communication using the same frequency band. Therefore, for an SS located in a cell boundary, if different cells use the same subchannels, the subchannels may significantly interfere with each other.

15 As described above, the conventional OFDMA communication system performs data communication with SSs regardless of channel states. That is, a scheme that enables SSs having good channel states to perform high-speed, high-capacity communication is not presented in the frame structure for the conventional OFDMA communication system. Therefore, the conventional 20 technology cannot perform a flexible modulation and coding method for the SSs having high subchannel quality.

SUMMARY OF THE INVENTION

25 It is, therefore, an object of the present invention to provide a system and method for performing high-speed, high-capacity communication in a Broadband Wireless Access communication system.

30 It is another object of the present invention to provide a band AMC channel allocation method for providing a high data rate to SSs having low mobility in a TDD-OFDMA communication system.

35 It is further another object of the present invention to provide a system and method for managing band AMC subchannels in a TDD-OFDMA communication system.

It is yet another object of the present invention to provide a BS and SS management scheme for enabling high-speed, high-capacity data transmission through a band AMC channel state report in a TDD-OFDMA communication

system.

5 It is still another object of the present invention to provide a BS and SS management scheme for releasing band AMC channels in a TDD-OFDMA communication system.

10 It is still another object of the present invention to provide a system and method for allocating band AMC subchannels such that based on channel states of SSs, wherein a BS enables SSs having a good channel state to enable high-speed, high-capacity data transmission, in a TDD-OFDMA communication system.

15 It is still another object of the present invention to provide a new frame structure for enabling high-speed, high-capacity data transmission according to channel states in a TDD-OFDMA communication system.

20 It is still another object of the present invention to provide a system and method for enabling high-speed, high-capacity data transmission by applying high-efficiency modulation and coding schemes to SSs having high channel quality through band AMC subchannels and their associated messages.

25 In accordance with one aspect of the present invention, there is provided a method for requesting allocation of a band Adaptive Modulation and Coding (AMC) channel by a subscriber station (SS), in a wireless communication system that divides a full frequency band into a plurality of subcarrier bands, each of which is a set of a predetermined number of subbands, each of which is a set of a predetermined number of contiguous subcarriers. The method comprises the steps of recognizing a need for use of a band AMC channel; measuring reception quality of bands; making a list of bands having high reception quality according to the reception quality measurements; sending a request for allocation of the band AMC channel to a base station (BS); receiving a response to the request from the BS; and transitioning to a state in which the SS uses a band AMC channel, according to the response.

35 In accordance with another aspect of the present invention, there is provided a method for allocating a band Adaptive Modulation and Coding (AMC) channel by a base station (BS), in a wireless communication system that divides a full frequency band into a plurality of subcarrier bands, each of which is a set of a predetermined number of subbands, each of which is a set of a predetermined

number of contiguous subcarriers, the method comprising the steps of: receiving a band AMC channel request from a predetermined subscriber station (SS) in a state in which the BS does not use a band AMC channel; determining to allocate a band AMC channel to the SS in response to the request; and transmitting band AMC channel allocation information corresponding to the determination result to the SS.

In accordance with further another aspect of the present invention, there is provided a method for requesting allocation of a band Adaptive Modulation and Coding (AMC) channel by a subscriber station (SS), in a wireless communication system that divides a full frequency band into a plurality of subcarrier bands, each of which is a set of a predetermined number of subbands, each of which is a set of a predetermined number of contiguous subcarriers. The method comprises the steps of: sending a report on a state of a AMC channel to a base station (BS); receiving a response to the report on the state of the band AMC channel from the BS; and determining to use the band AMC channel according to the response.

In accordance with still another aspect of the present invention, there is provided a method for allocating a band Adaptive Modulation and Coding (AMC) channel by a base station (BS), in a wireless communication system that divides a full frequency band into a plurality of subcarrier bands, each of which is a set of a predetermined number of subbands, each of which is a set of a predetermined number of contiguous subcarriers. The method comprises the steps of: receiving band AMC channel information from a subscriber station (SS); and determining to allocate a band AMC channel according to the received channel information.

In accordance with still another aspect of the present invention, there is provided a method for transmitting data through a channel set up between a subscriber station (SS) and a base station (BS), in a wireless communication system that divides a full frequency band into a plurality of subcarrier bands, each of which is a set of a predetermined number of subbands, each of which is a set of a predetermined number of contiguous subcarriers. The method comprises the steps of detecting a change in state of a current band Adaptive Modulation and Coding (AMC) channel allocated from the BS in the SS; transmitting a channel state response (CH_STA_RSP) message to report the change to the BS; receiving the CH_STA_RSP message; determining, by the BS, if the BS can allocate a band AMC channel to the SS through the CH_STA_RSP message; transmitting a band AMC indication (BAND_AMC_IND) message including information indicating whether the BS allocates the band AMC channel to the SS; receiving the

BAND_AMC_IND message; transmitting, by the SS, data to the BS using one of a diversity channel and the band AMC channel according to the received BAND_AMC_IND message.

5 In accordance with still another aspect of the present invention, there is provided a system for allocating a band Adaptive Modulation and Coding (AMC) channel in a wireless communication system that divides a full frequency band into a plurality of subcarrier bands, each of which is a set of a predetermined number of bands, each of which is a set of a predetermined number of contiguous subcarriers. The system comprises a subscriber station (SS) for transmitting a
10 channel state response (CH_STA_RSP) message to request allocation of a band AMC channel for use of the band AMC channel and to transmit information on a current band AMC channel; and a base station (BS) for transmitting a channel state request (CH_STA_REQ) message to detect a state of the band AMC channel currently used by the SS, receiving the CH_STA_RSP message, and transmitting
15 a band AMC indication (BAND_AMC_IND) message to the SS in response to the received CH_STA_RSP message.

BRIEF DESCRIPTION OF THE DRAWINGS

20 The above and other objects, features, and advantages of the present invention will become more apparent from the following detailed description when taken in conjunction with the accompanying drawings in which:

FIG. 1 is a diagram schematically illustrating a frame structure used in a conventional TDD-OFDMA communication system;

25 FIG. 2 is a diagram schematically illustrating a frame structure used in a TDD-OFDMA communication system according to an embodiment of the present invention;

30 FIG. 3 is a flowchart illustrating an SS band AMC channel allocation request operation in a TDD-OFDMA communication system according to an embodiment of the present invention;

FIG. 4 is a flowchart illustrating a BS operation in response to a band AMC channel allocation request from an SS in a TDD-OFDMA communication system according to an embodiment of the present invention;

35 FIG. 5 is a flowchart illustrating a BS operation of receiving a report on a state of a band AMC channel from an SS in a TDD-OFDMA communication system according to an embodiment of the present invention;

FIG. 6 is a flowchart illustrating an SS operation of transmitting a report on a state of a band AMC channel in a TDD-OFDMA communication system according to an embodiment of the present invention; and

FIG. 7 is a signaling diagram illustrating a process of performing transmission/reception of band AMC channel-related messages between an SS and a BS in a TDD-OFDMA communication system according to an embodiment of the present invention.

5

DETAILED DESCRIPTION OF THE PREFERRED EMBODIMENT

Preferred embodiments of the present invention will now be described in detail herein below with reference to the annexed drawings. In the following description, a detailed description of known functions and configurations incorporated herein has been omitted for conciseness.

10

Generally, the present invention proposes a system and method for enabling a base station (BS) to transmit high-speed, high-capacity data to subscriber stations (SSs) having a good channel state in an Orthogonal Frequency Division Multiplexing (OFDM) communication system. In particular, the present invention proposes a system and method for allocating and managing band AMC (Adaptive Modulation and Coding) subchannels for enabling high-speed, high-capacity data transmission to SSs having a good channel state, according to channel states of SSs.

15

20

That is, the present invention proposes a band AMC channel allocation scheme for providing a higher data rate to users, i.e., SSs, having lower mobility, a BS and SS operation scheme according to a band AMC channel state report, and a BS and SS operation scheme for releasing band AMC channels in a TDD-OFDMA communication system.

25

More specifically, the present invention proposes a system and method in which an SS measures a reception signal level of each band and selects a modulation scheme having high coding efficiency through a particular band having high reception quality based on the measured reception signal level, thereby enabling high-speed data transmission/reception between a BS and an SS in a TDD-OFDMA communication system.

30

In addition, the present invention proposes a new TDD-OFDMA frame structure for enabling data transmission/reception according to channel states. In particular, the present invention proposes a band AMC channel and a new message according thereto, and applies high-efficiency modulation and coding schemes to SSs having high channel quality, thereby enabling high-speed, high-

35

capacity data transmission.

FIG. 2 is a diagram schematically illustrating a frame structure used in a TDD-OFDMA communication system according to an embodiment of the present invention. Referring to FIG. 2, in the frame structure, a full subcarrier band is divided into a plurality of bands, for example, Band#0 to Band#23, and the band includes a plurality of bins or tiles. The bin or tile includes a plurality of subcarriers. Herein, the bin includes 9 consecutive subcarriers in one OFDM symbol, and there are 1 pilot tone and 8 data tones. The tile includes 3 to 6 consecutive subcarriers, and there are 2 pilot tones and 16 data tones.

Referring to FIG. 2, in the frame, the first three OFDM symbols are used for a ranging channel, an acknowledge (ACK) channel, and a channel quality information (CQI) channel, respectively. The other OFDM symbols are allocated for band AMC channels, diversity channels, and safety channels. Herein, the band AMC channels at the front of the frame are allocated based on a band including 6 bins, and the diversity channels at the rear of the frame are allocated based on a subchannel including three tiles spread over the full subcarrier band.

As the band AMC channels are larger than the diversity channels in terms of areas allocated therefor, i.e., when reception quality is high, the band AMC channels can be used for transmitting/receiving large-volume data at high speed by applying a modulation scheme having high coding efficiency.

For the safety channel, a part which is laid over all OFDM symbols, one bin is allocated. The safety channel is allocated all symbols in one bin. An SS is allocated a safety channel among safety channels unused in a neighbor cell with a frequency band available in a BS, i.e., an unallocated frequency band.

FIG. 3 is a flowchart illustrating an SS band AMC channel allocation request operation in a TDD-OFDMA communication system according to an embodiment of the present invention. Referring to FIG. 3, if an SS in a band AMC disabled state in step 311 recognizes the need for a band AMC channel in step 313, it proceeds to step 315. In step 315, the SS measures reception qualities of all bands.

In step 317, the SS compares the measured reception qualities with a reference value defined in the system, and makes a list of bands including higher reception qualities than the reference value, i.e., bands having high reception

5 qualities. In step 319, the SS transmits a Channel State Response (CH_STA_RSP) message to a BS. The CH_STA_RSP message includes the list of bands having high reception quality, information on CQI of each band included in the list, and band AMC channel allocation request information. A format of the CH_STA_RSP message will be described later.

10 After transmitting the CH_STA_RSP message, the SS waits for a response from the BS in step 321. In step 323, when the SS receives a Band AMC Indication (BAND_AMC_IND) message from the BS in response to the CH_STA_RSP message, the SS proceeds to step 325. A format of the BAND_AMC_IND message will be described later.

15 In step 325, the SS determines if the BS can allocate a band AMC channel to the SS itself, based on the received BAND_AMC_IND message. If the SS can be allocated a band AMC channel from the BS, the SS transitions to a band AMC enabled state in step 327. However, if the SS cannot be allocated a band AMC channel from the BS, the SS returns to step 311 to repeat the foregoing process.

20 The CH_STA_RSP message transmitted in step 319 from the SS to the BS is used by the SS to report channel quality of a band to the BS, or request the BS for allocation of a band AMC channel. A format of the CH_STA_RSP message is shown in Table 1 below.

Table 1

Syntax	Size	Notes
CH_STA_RSP_Message_Format(){		
Management_Message_Type = TBD	8 bits	
Reported Channel Type	2 bits	00 = Diversity Channel 01 = Band AMC Channel 10 = Safety Channel 11 = Reserved
No. Reported Channels		
for(i=0; j<No. Reported Channels; j++){		
if (Reported Channel Type ==00){		
Downlink Channel ID	8 bits	0~255
C/I	5 bits	
}		
if (Reported Channel Type==01){		

Band Index	4 bits	0~15
C/I	5 bits	
}		
if (Reported Channel Type==10){		
Bin Index	7 bits	0~127
C/I	5 bits	
}		
}		
C/I difference between serving cell and target cell	variable	TLV specific
}		

As shown in Table 1, the CH_STA_RSP message includes a plurality of information elements (IEs), i.e., a Management Message Type indicating a type of a transmission message, and a Reported Channel Type indicating type information of a channel, a state of which the SS will report to the BS, information on a list of channels, measured quality of each of which the SS reports to the BS, and state information of each channel included in the list.

The channel type information corresponds to a channel used when the SS communicates with the BS. For example, if the channel in use is a diversity channel, the Reported Channel Type represents a value '00'. If the channel in use is a band AMC channel, the Reported Channel Type represents a value '01'. If the channel in use is a safety channel, the Reported Channel Type represents a value '10'.

If the channel type is a diversity channel (Reported Channel Type = 00), the CH_STA_RSP message includes information on a Downlink Channel ID of each diversity channel and a carrier-to-interference ratio (C/I) of the channel. If the channel type is a band AMC channel (Reported Channel Type = 01), the CH_STA_RSP message includes information on each Band Index of a band AMC channel and a C/I of the band. If the channel type is a safety channel (Reported Channel Type = 10), the CH_STA_RSP message includes information on a Bin ID of the safety channel and a C/I of the bin.

The BAND_AMC_IND message transmitted in step 323 from the BS to the SS is a response to the CH_STA_RSP message shown in Table 1, and is used by the BS to inform the SS of allocation/non-allocation of a band AMC channel.

A format of the BAND_AMC_IND message is shown below in Table 2.

Table 2

Syntax	Size	Notes
BAND_AMC_IND Message Format(){		
Management_Message_Type = TBD	8 bits	
Band AMC Indicator	1 bit	0 = Disable 1 = Enable
}		

5 As shown in Table 2, the BAND_AMC_IND message includes a plurality of IEs, i.e., a Management Message Type indicating a type a transmission message, and a Band AMC Indicator indicating approval/disapproval for a band AMC channel allocation request transmitted from the SS to the BS. For example, if a value of the Band AMC Indicator is '1' (Enable), allocation of the band AMC channel requested by the SS is approved. If a value of the Band AMC Indicator is '0' (Disable), allocation of the band AMC channel requested by the SS is disapproved.

15 FIG. 4 is a flowchart illustrating a BS operation in response to a band AMC channel allocation request from an SS in a TDD-OFDMA communication system according to an embodiment of the present invention. Referring to FIG. 4, if a BS in a band AMC disabled state in step 411 receives a CH_STA_RSP message from an SS in step 413, the BS determines if it can allocate a band AMC channel requested by the SS in step 415, considering its resource state.

20 If the BS can allocate a band AMC channel to the SS, the BS transmits a BAND_AMC_IND message with Band AMC Indicator=1 (Enable), shown in Table 2, to the SS in step 417. Thereafter, in step 421, the BS transitions to a band AMC enabled state.

25 However, if the BS cannot allocate a band AMC channel to the SS, the BS transmits a BAND_AMC_IND message with Band AMC Indicator=0 (Disable), shown in Table 2, to the SS in step 419, and then returns to step 411 where it transitions to a band AMC disabled state.

30 FIG. 5 is a flowchart illustrating a BS operation of requesting a report on a state of a band AMC channel allocated to an SS in a TDD-OFDMA communication system according to an embodiment of the present invention.

- 12 -

Referring to FIG. 5, if a BS in a band AMC enabled state in step 511 detects occurrence of a specific effect, for example, if the BS recognizes the need for receiving a report on a state of a band AMC channel allocated to the SS, in step 513 or if the BS receives a CH_STA_RSP message from the SS in step 517, the
5 BS performs an operation according to the corresponding state.

In step 513, the BS recognizes the need for receiving a report on a state of a band AMC channel allocated to the SS. In step 515, the BS transmits a Channel State Request (CH_STA_REQ) message for an information report request for a
10 state of the band AMC channel allocated to the SS, and then returns to step 511 where it stays in the band AMC enabled state. A format of the CH_STA_REQ message will be described later.

The BS recognizes the need for receiving a report on a state of a band
15 AMC channel from the SS in step 513, for example, (1) when it is determined that the reception quality of data transmitted by the SS with a band AMC channel is low, (2) when it is determined that it is necessary to change allocation of the currently scheduled band AMC channels in the course of allocating a band AMC channel to each SS, or (3) when the BS checks a current state of a band AMC
20 channel used by each SS and desires to perform an operation according thereto.

If the BS in the band AMC enabled state in step 511 receives, in step 517, a CH_STA_RSP message from the SS in response to the CH_STA_REQ message transmitted in step 515, the BS proceeds to step 519.
25

It is assumed in FIG. 5 that after transmitting a CH_STA_REQ message to the SS, the BS receives a CH_STA_RSP message in response to the CH_STA_REQ message. However, the present invention is not limited to the
30 assumption.

For example, the CH_STA_RSP message received in step 517 can be transmitted by the SS itself upon detecting the need for reporting a state on a band AMC channel even when the BS does not transmit in step 515 the CH_STA_REQ message for requesting a report on a state of a band AMC channel to the SS. Then
35 the BS receives the CH_STA_RSP message transmitted from the SS, and performs a procedure according to the received CH_STA_RSP message.

The SS transmits the CH_STA_RSP message in step 517, when the SS desires to determine if it can be allocated another band AMC channel because of

the low quality of its current band AMC channel. The CH_STA_RSP message received in step 517, as shown in Table 1, includes quality information of the band AMC channel allocated to the SS.

5 After receiving a report on the state of the band AMC channel allocated to the SS through the CH_STA_RSP message received from the SS in step 517, the BS determines if a new band AMC is required from the received CH_STA_RSP message in step 519.

10 If the BS can no longer allocate a band AMC channel to the SS or the BS is not required to allocate a band AMC channel to the SS, the BS transmits a BAND_AMC_IND message with Band AMC Indicator=0 to the SS in step 521. Thereafter, in step 523, the BS transitions to a band AMC disabled state.

15 However, if it is possible to continuously allocate a band AMC channel to the SS or it is not necessary to allocate a band AMC channel to the SS, the BS transmits the BAND_AMC_IND message with Band AMC Indicator=1 to the SS in step 525, and then returns to step 511 where it stays in the band AMC enabled state.

20 The CH_STA_REQ message transmitted in step 515 from the BS to the SS is transmitted to request a report on a state of the band AMC channel allocated to the SS. A format of the CH_STA_REQ message is shown in Table 3 below.

25 Table 3

Syntax	Size	Notes
CH_STA_REQ Message Format(){		
Management_Message_Type = TBD	8 bits	
Requested Channel Type	2 bits	00 = Diversity Channel 01 = Band AMC Channel 10 = Safety Channel 11 = Reserved
TLV Encoded Information	variable	TLV specific
}		

As shown in Table 3, the CH_STA_REQ message includes a plurality of IEs, i.e., a Management Message Type indicating a type of a transmission message, and a Requested Channel Type indicating type information of a channel,

a report on a state of which the BS desires to receive from an SS.

The channel type information corresponds to a channel used when the BS communicates with the SS. For example, if the channel in use is a diversity
5 channel, the Reported Channel Type represents a value '00'. If the channel in use is a band AMC channel, the Reported Channel Type represents a value '01'. If the channel in use is a safety channel, the Reported Channel Type represents a value '10'.

10 FIG. 6 is a flowchart illustrating an SS operation of reporting a state of its current band AMC channel to a BS in a TDD-OFDMA communication system according to an embodiment of the present invention. Referring to FIG. 6, if an SS in a band AMC enabled state in step 611 detects occurrence of a specific effect, for example, if the SS recognizes the need for transmitting a report on a state of a
15 band AMC channel allocated from the BS in step 613 or if the SS receives a CH_STA_REQ message from the BS in step 625, the BS proceeds to step 615.

In step 613, the SS recognizes the need for transmitting a report on a state of the band AMC channel (1) when it is determined that the SS can no longer use
20 a band AMC channel due to the low quality of its current band AMC channel, or (2) when the SS inquires of the BS about whether it can change its band AMC channel to another band AMC channel.

25 Thereafter, in step 615, the SS transmits a CH_STA_RSP message to the BS in order to make a report on a state of its current band AMC channel.

It is assumed herein that the SS determines the need for transmitting a report on a state of the band AMC channel. However, the present invention is not limited to the assumption. For example, upon receiving the CH_STA_REQ
30 message for requesting a report on a state of a band AMC channel from the BS in step 625, the SS can transmit the CH_STA_RSP message in step 615 in order to make a report on a state of its current band AMC channel.

35 After transmitting the CH_STA_RSP message in step 615, if the SS in a waiting state in step 617 receives a BAND_AMC_IND message from the BS in step 619, the SS determines if it can use a band AMC channel in step 621, by checking a set value of a Band AMC Indicator included in the received BAND_AMC_IND message.

For example, as illustrated in Table 2, if a value of the Band AMC Indicator is '1' (Enable), it indicates that the SS can use the band AMC channel. If a value of the Band AMC Indicator is '0' (Disable), it indicates that the SS cannot use the band AMC channel.

5

If the SS can no longer use the band AMC channel, the SS transitions to a band AMC disabled state in step 623. However, if the SS can continue to use the band AMC channel, the SS returns to step 611, where it stays in the band AMC enabled state.

10

FIG. 7 is a signaling diagram illustrating a process of setting up and releasing a band AMC channel between an SS and a BS in a TDD-OFDMA communication system according to an embodiment of the present invention. Referring to FIG. 7, an SS 710 and a BS 750 exchange data with each other, using a diversity channel in Step 711. If the SS 710 desires to use a band AMC channel, the SS 710 transmits a CH_STA_RSP message to the BS 750 to request allocation of the band AMC channel in Step 713. Thereafter, if the BS 750 determines that it can allocate a band AMC channel to the SS 710 in Step 715, the BS 750 informs the SS 710 of the possibility of allocating the band AMC channel through a BAND_AMC_IND message in Step 717.

15

20

Upon receiving the BAND_AMC_IND message from the BS 750, the SS 710 performs data transmission/reception according to information included in the BAND_AMC_IND message. Because the BAND_AMC_IND message, as described above, includes information indicating the possibility of allocating a band AMC channel to the SS 710, the SS 710 exchanges data with the BS 750 through a diversity channel or the allocated band AMC channel in Step 719.

25

For example, assuming that the BS 750 transmits downlink data to the SS 710 in the data transmission/reception process of step 719, if a size of the data is not large, the data can be transmitted using a diversity channel, and if a size of the data to be transmitted by the BS 750 is large, the data can be transmitted using the allocated band AMC channel. In addition, when the SS 710 transmits uplink data to the BS 750, the data can be transmitted using only the allocated band AMC channel.

30

35

In the band AMC enabled state of the SS 710, the BS 750 can transmit a CH_STA_REQ message to the SS 710 in order to receive a report on a state of the allocated band AMC channel in Step 721. The SS 710 transmits a CH_STA_RSP

- 16 -

message including state information of its current band AMC channel to the BS 750 in response to the CH_STA_REQ message in Step 723.

5 Alternatively, the SS 710 can periodically report its own C/I information to the BS 750 irrespective of a request of the BS 750 in Step 725.

10 The BS 750 transmits a BAND_AMC_IND message to the SS 710 according to information included in the CH_STA_RSP message transmitted from the SS 710. The SS 710 receives the BAND_AMC_IND message, and exchanges data with the BS 750 through a diversity channel or a band AMC channel according to information included in the received BAND_AMC_IND message in Step 727. Whether a diversity channel or a band AMC channel is used for the data exchange between the SS 710 and the BS 750 in Step 727 is determined in the method of Step 719.

15 If a state of the current band AMC channel allocated from the BS 750 suffers a change, the SS 710 transmits a CH_STA_RSP message to report the change to the BS 750 in Step 729. The BS 750 receives the transmitted CH_STA_RSP message, and determines if it is necessary to allocate a band AMC channel to the SS 710, based on the received CH_STA_RSP message in Step 731. If it is determined in Step 731 that the SS 710 is no longer required to use a band AMC channel, the BS 750 transmits a BAND_AMC_IND message including information indicating that the SS 710 cannot use the band AMC channel, to instruct the SS 710 to release the band AMC channel in use in Step 733. 20 Thereafter, in Step 735, the SS 710 exchanges data with the BS 750 using only the diversity channel.

30 With the use of a band AMC channel allocation scheme proposed in the present invention, the OFDMA communication system allocates, if reception signal quality is high, a high-capacity band channel to an SS, and reports channel quality information of the allocated band channel to select a band channel having high reception quality, thereby enabling high-speed, high-capacity data transmission/reception between a BS and an SS using a high coding efficiency modulation scheme through the selected high-quality band channel.

35 While the present invention has been shown and described with reference to certain preferred embodiments thereof, it will be understood by those skilled in the art that various changes in form and details may be made therein without departing from the spirit and scope of the invention as defined by the appended

claims.

WHAT IS CLAIMED IS:

1. A method for requesting allocation of a band Adaptive Modulation and Coding (AMC) channel by a subscriber station (SS), in a wireless communication system that divides a full frequency band into a plurality of subcarrier bands, each of which is a set of a predetermined number of subbands, each of which is a set of a predetermined number of contiguous subcarriers, the method comprising the steps of:
- 5 recognizing a need for use of a band AMC channel;
10 measuring reception quality of bands;
making a list of bands having high reception quality according to the reception quality measurements;
15 sending a request for allocation of the band AMC channel to a base station (BS);
receiving a response to the request from the BS; and
20 transitioning to a state in which the SS uses a band AMC channel, according to the response.
2. The method of claim 1, wherein the SS compares the measured reception qualities with a reference value defined in the system, and makes the list of bands having reception quality higher than the reference value .
3. The method of claim 1, further comprising the step of transmitting a channel state response (CH_STA_RSP) message to send a report on quality of a current band AMC channel to the BS in response to a request from the BS or to send a request for allocation of a band AMC channel to the BS.
- 30 4. The method of claim 3, wherein the CH_STA_RSP message includes a list of bands having high reception quality, channel quality information (CQI) of bands included in the list, and band AMC channel allocation request information.
- 35 5. The method of claim 3, wherein the CH_STA_RSP message includes a reported channel type field including information on a type of a channel, a state of which the SS will report to the BS, information on a list of channels, a measured quality of each of which the SS reports to the BS, and state information of each channel included in the list.
6. The method of claim 5, wherein the reported channel type field

includes information on a channel used when the SS communicates with the BS;
wherein the reported channel type includes a diversity channel, a band AMC channel, and a safety channel.

5 7. The method of claim 3, wherein the CH_STA_RSP message includes information on a channel identifier (ID) and a carrier-to-interference ratio (C/I) for each of the diversity channel, the band AMC channel, and the safety channel.

10 8. A method for allocating a band Adaptive Modulation and Coding (AMC) channel by a base station (BS), in a wireless communication system that divides a full frequency band into a plurality of subcarrier bands, each of which is a set of a predetermined number of subbands, each of which is a set of a predetermined number of contiguous subcarriers, the method comprising the steps of:
15

receiving a band AMC channel request from a predetermined subscriber station (SS) in a state in which the BS does not use a band AMC channel;

determining to allocate a band AMC channel to the SS in response to the request; and

20 transmitting band AMC channel allocation information corresponding to the determination result to the SS.

25 9. The method of claim 8, wherein if it is determined to allocate the band AMC channel to the SS, the BS transmits an indication message for indicating a possibility of allocating the band AMC channel and, after transmitting the indication message, allocating the band AMC channel to the BS.

30 10. The method of claim 8, wherein the request received from the SS is a channel state response (CH_STA_RSP) message transmitted by the SS to send a report on quality of its band AMC channel to the BS in response to a request from the BS or to send a request for allocation of a band AMC channel to the BS.

35 11. The method of claim 10, wherein the CH_STA_RSP message includes a list of bands having high reception quality, channel quality information (CQI) of bands included in the list, and band AMC channel allocation request information.

12. The method of claim 10, wherein the CH_STA_RSP message

includes a reported channel type field representing information on a type of a channel, a state of which the SS will report to the BS, information on a list of channels, a measured quality of each of which the SS reports to the BS, and state information of each channel included in the list.

5

13. The method of claim 12, wherein the reported channel type field includes information on a channel used when the SS communicates with the BS; wherein the reported channel type includes a diversity channel, a band AMC channel, and a safety channel.

10

14. The method of claim 10, wherein the CH_STA_RSP message includes information on a channel identifier (ID) and a carrier-to-interference ratio (C/I) for each of the diversity channel, the band AMC channel, and the safety channel.

15

15. The method of claim 8, wherein the BS transmits the band AMC channel allocation information includes a band AMC indication (BAND_AMC_IND) message indicating whether the BS can allocate the band AMC channel to the SS, in response to the request from the SS.

20

16. A method for requesting allocation of a band Adaptive Modulation and Coding (AMC) channel by a subscriber station (SS), in a wireless communication system that divides a full frequency band into a plurality of subcarrier bands, each of which is a set of a predetermined number of subbands, each of which is a set of a predetermined number of contiguous subcarriers, the method comprising the steps of:

25

sending a report on a state of a AMC channel to a base station (BS);

receiving a response to the report on the state of the band AMC channel from the BS; and

30

determining to use the band AMC channel according to the response.

17. The method of claim 16, wherein in a state in which the SS uses a band AMC channel, the SS transmits information on quality of its current band AMC channel upon one of recognizing a need for transmitting the report on the state of the current band AMC channel or upon receiving a request for the report on the state of the current band AMC channel from the BS.

35

18. The method of claim 17, wherein the BS transmits the request for the report on the state of the band AMC channel allocated to the SS through a

channel state request (CH_STA_REQ) message.

5 19. The method of claim 18, wherein the CH_STA_REQ message includes a requested channel type field representing type information of a channel, a report on a state of which the BS desires to receive from the SS.

10 20. The method of claim 19, wherein the channel type information includes information on a channel used when the BS communicates with the SS; wherein the channel type information represents a diversity channel, a band AMC channel, and a safety channel.

15 21. The method of claim 16, further comprising the steps of:
receiving the response from the BS through a band AMC indication (BAND_AMC_IND) message;
checking a set value of a band AMC indicator included in the BAND_AMC_IND message; and
determining to use a band AMC channel when the band AMC indicator has information indicating possibility of using the band AMC channel.

20 22. The method of claim 16, wherein the SS transmits a channel state response (CH_STA_RSP) message to send the report on quality of the current band AMC channel to the BS in response to the request from the BS.

25 23. The method of claim 22, wherein the CH_STA_RSP message includes a list of bands having high reception quality, channel quality information (CQI) of bands included in the list, and band AMC channel allocation request information.

30 24. The method of claim 22, wherein the CH_STA_RSP message includes a reported channel type field representing information on a type of a channel, a state of which the SS will report to the BS, information on a list of channels, a measured quality of each of which the SS reports to the BS, and state information of each channel included in the list.

35 25. The method of claim 24, wherein the reported channel type field includes information on a channel used when the SS communicates with the BS; wherein the reported channel type includes a diversity channel, a band AMC channel, and a safety channel.

26. The method of claim 22, wherein the CH_STA_RSP message includes information on a channel identifier (ID) and a carrier-to-interference ratio (C/I) for each of the diversity channel, the band AMC channel, and the safety channel.

5

27. The method of claim 16, wherein the response received from the BS is a band AMC indication (BAND_AMC_IND) message.

10

28. The method of claim 27, wherein the BAND_AMC_IND message includes an information field indicating one of approval and disapproval, for the band AMC channel allocation request from the SS.

15

29. A method for allocating a band Adaptive Modulation and Coding (AMC) channel by a base station (BS), in a wireless communication system that divides a full frequency band into a plurality of subcarrier bands, each of which is a set of a predetermined number of subbands, each of which is a set of a predetermined number of contiguous subcarriers, the method comprising the steps of:

20

receiving band AMC channel information from a subscriber station (SS);
and
determining to allocate a band AMC channel according to the received channel information.

25

30. The method of claim 29, further comprising the steps of:
transmitting an indication message including information corresponding to the determination result to the SS; and
allocating the band AMC channel to the SS according to the determination result.

30

31. The method of claim 30, wherein the band AMC channel information from the SS includes a channel state response (CH_STA_RSP) message which is a report on a quality of a current band AMC channel in response to a request from the BS.

35

32. The method of claim 31, wherein the CH_STA_RSP message includes a list of bands having high reception quality, channel quality information (CQI) of bands included in the list, and band AMC channel allocation request information.

5 33. The method of claim 31, wherein the CH_STA_RSP message includes a reported channel type field representing information on a type of a channel, a state of which the SS will report to the BS, information on a list of channels, a measured quality of each of which the SS reports to the BS, and state information of each channel included in the list.

34. The method of claim 33, wherein the reported channel type field represents information on a channel used when the SS communicates with the BS;

10 wherein the reported channel type includes a diversity channel, a band AMC channel, and a safety channel.

15 35. The method of claim 31, wherein the CH_STA_RSP message includes information on a channel identifier (ID) and a carrier-to-interference ratio (C/I) for each of the diversity channel, the band AMC channel, and the safety channel.

20 36. The method of claim 31, wherein the CH_STA_RSP message is a message transmitted by the SS to send a request for allocation of a band AMC channel to the BS.

25 37. The method of claim 31, wherein the CH_STA_RSP message includes a list of bands having high reception quality, channel quality information (CQI) of bands included in the list, and band AMC channel allocation request information.

30 38. The method of claim 31, wherein the CH_STA_RSP message includes a reported channel type field representing information on a type of a channel, a state of which the SS will report to the BS, information on a list of channels, a measured quality of each of which the SS reports to the BS, and state information of each channel included in the list.

35 39. The method of claim 38, wherein the reported channel type field represents information on a channel used when the SS communicates with the BS;

wherein the reported channel type includes a diversity channel, a band AMC channel, and a safety channel.

40. The method of claim 31, wherein the CH_STA_RSP message

includes information on a channel identifier (ID) and a carrier-to-interference ratio (C/I) for each of the diversity channel, the band AMC channel, and the safety channel.

5 41. The method of claim 29, further comprising the step of, upon recognizing a need for detecting a state of a band AMC channel, transmitting to the SS a request for a report on a state of a band AMC channel.

10 42. The method of claim 41, wherein the channel state report request is sent through a channel state request (CH_STA_REQ) message to the SS.

15 43. The method of claim 42, wherein the CH_STA_REQ message includes a requested channel type field representing type information of a channel, a report on a state of which the BS desires to receive from the SS.

20 44. The method of claim 43, wherein the channel type information includes information on a channel used when the BS communicates with the SS; wherein the channel type information represents a diversity channel, a band AMC channel, and a safety channel.

25 45. The method of claim 29, wherein the BS transmits the allocation information through a band AMC indication (BAND_AMC_IND) message.

30 46. The method of claim 45, wherein the BAND_AMC_IND message includes an information field indicating one of approval and disapproval for the band AMC channel allocation request from the SS.

35 47. A method for transmitting data through a channel set up between a subscriber station (SS) and a base station (BS), in a wireless communication system that divides a full frequency band into a plurality of subcarrier bands, each of which is a set of a predetermined number of subbands, each of which is a set of a predetermined number of contiguous subcarriers, the method comprising the steps of:

 detecting a change in state of a current band Adaptive Modulation and Coding (AMC) channel allocated from the BS in the SS;

 transmitting a channel state response (CH_STA_RSP) message to report the change to the BS;

 receiving the CH_STA_RSP message;

 determining, by the BS, if the BS can allocate a band AMC channel to the

SS through the CH_STA_RSP message;

transmitting a band AMC indication (BAND_AMC_IND) message including information indicating whether the BS allocates the band AMC channel to the SS;

5 receiving the BAND_AMC_IND message;

transmitting, by the SS, data to the BS using one of a diversity channel and the band AMC channel according to the received BAND_AMC_IND message.

10 48. The method of claim 47, further comprising the steps of:

if it is determined that the SS no longer needs to use the band AMC channel, transmitting, by the BS, the BAND_AMC_IND message including information indicating no possibility of using a band AMC channel to the SS, and releasing the band AMC channel in use; and

15 upon receiving the BAND_AMC_IND message, transmitting, by the SS, data to the BS using a diversity channel.

20 49. The method of claim 47, further comprising the step of transmitting, by the SS, the CH_STA_RSP message in response to a channel state request (CH_STA_REQ) message for a request for a report on a state of the current band AMC channel.

25 50. The method of claim 49, wherein the CH_STA_REQ message includes a requested channel type field including type information of a channel, a report on a state of which the BS desires to receive from the SS.

30 51. The method of claim 50, wherein the channel type information includes information on a channel used when the BS communicates with the SS; wherein the channel type information represents a diversity channel, a band AMC channel, and a safety channel.

35 52. The method of claim 47, wherein for downlink data transmission from the BS to the SS, the BS transmits the data using a diversity channel if a size of the data is not greater than a predetermined threshold, and transmits the data using the band AMC channel if the size of the data is greater than the predetermined threshold.

53. The method of claim 47, wherein for uplink data transmission from the SS to the BS, the SS transmits the data using the band AMC channel.

54. The method of claim 47, wherein the CH_STA_RSP message includes a reported channel type field including information on a type of a channel, a state of which the SS will report to the BS, information on a list of channels, a measured quality of each of which the SS reports to the BS, and state information of each channel included in the list.

55. The method of claim 54, wherein the reported channel type field includes information on a channel used when the SS communicates with the BS; wherein the reported channel type includes a diversity channel, a band AMC channel, and a safety channel.

56. The method of claim 47, wherein the CH_STA_RSP message includes information on a channel identifier (ID) and a carrier-to-interference ratio (C/I) for each of the diversity channel, the band AMC channel, and the safety channel.

57. The method of claim 47, wherein the BAND_AMC_IND message includes an information field indicating one of approval and disapproval for the band AMC channel allocation request from the SS.

58. A system for allocating a band Adaptive Modulation and Coding (AMC) channel in a wireless communication system that divides a full frequency band into a plurality of subcarrier bands, each of which is a set of a predetermined number of bands, each of which is a set of a predetermined number of contiguous subcarriers, the system comprising:

a subscriber station (SS) for transmitting a channel state response (CH_STA_RSP) message to request allocation of a band AMC channel for use of the band AMC channel and to transmit information on a current band AMC channel; and

a base station (BS) for transmitting a channel state request (CH_STA_REQ) message to detect a state of the band AMC channel currently used by the SS, receiving the CH_STA_RSP message, and transmitting a band AMC indication (BAND_AMC_IND) message to the SS in response to the received CH_STA_RSP message.

59. The system of claim 58, wherein if it is determined that the SS no longer needs to use the current band AMC channel, the BS transmits the BAND_AMC_IND message including information indicating no possibility of using the band AMC channel to the SS, and releases the band AMC channel used

by the SS;

wherein upon receiving the BAND_AMC_IND message, the SS transmits data to the BS using a diversity channel.

5 60. The system of claim 58, wherein if it is determined that the SS no longer needs to use the current band AMC channel, the BS transmits the BAND_AMC_IND message including information indicating no possibility of using the band AMC channel to the SS, and releases the band AMC channel used by the SS;

10 wherein upon receiving the BAND_AMC_IND message, the SS receives data from the BS using a diversity channel.

15 61. The system of claim 58, wherein the CH_STA_REQ message includes a requested channel type field including type information of a channel, a report on a state of which the BS desires to receive from the SS.

20 62. The system of claim 61, wherein the channel type information includes information on a channel used when the BS communicates with the SS; wherein the channel type information represents a diversity channel, a band AMC channel, and a safety channel.

25 63. The system of claim 58, wherein the SS and the BS exchange data between each other using one of a band AMC channel and a diversity channel according to information included in the BAND_AMC_IND message.

30 64. The system of claim 63, wherein for downlink data transmission from the BS to the SS, the BS transmits the data using the diversity channel if a size of the data is not greater than a predetermined threshold, and transmits the data using the band AMC channel if the size of the data is greater than the predetermined threshold.

35 65. The system of claim 63, wherein for uplink data transmission from the SS to the BS, the SS transmits the data using the band AMC channel.

 66. The system of claim 58, wherein the CH_STA_RSP message includes a reported channel type field representing information on a type of a channel, a state of which the SS will report to the BS, information on a list of channels, a measured quality of each of which the SS reports to the BS, and state information of each channel included in the list.

67. The system of claim 66, wherein the reported channel type field includes information on a channel used when the SS communicates with the BS; wherein the reported channel type includes a diversity channel, a band AMC channel, and a safety channel.

5

68. The system of claim 58, wherein the CH_STA_RSP message includes information on a channel identifier (ID) and a carrier-to-interference ratio (C/I) for each of the diversity channel, the band AMC channel, and the safety channel.

10

69. The system of claim 58, wherein the BAND_AMC_IND message includes an information field indicating one of approval and disapproval for the band AMC channel allocation request from the SS.

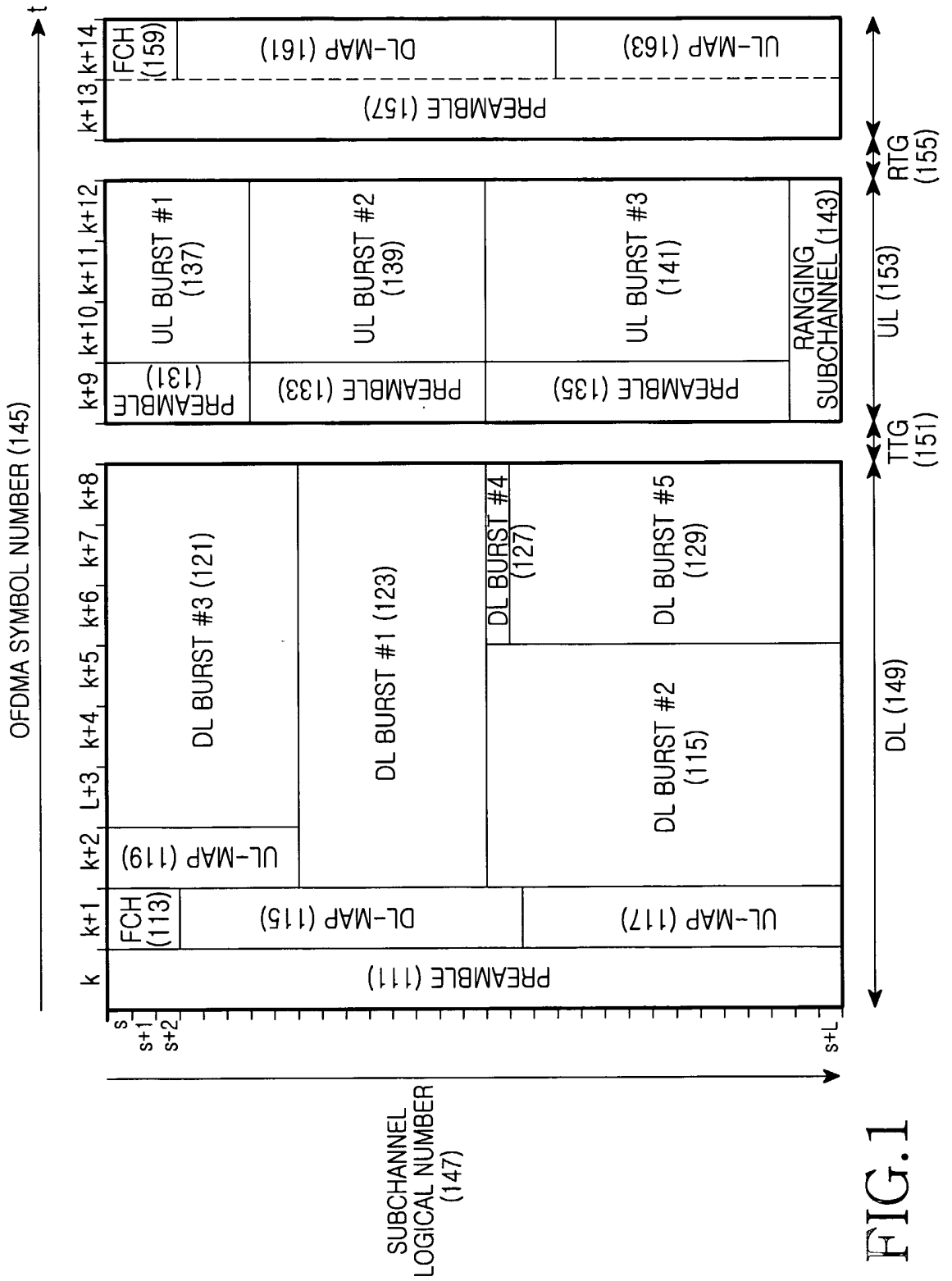


FIG.1

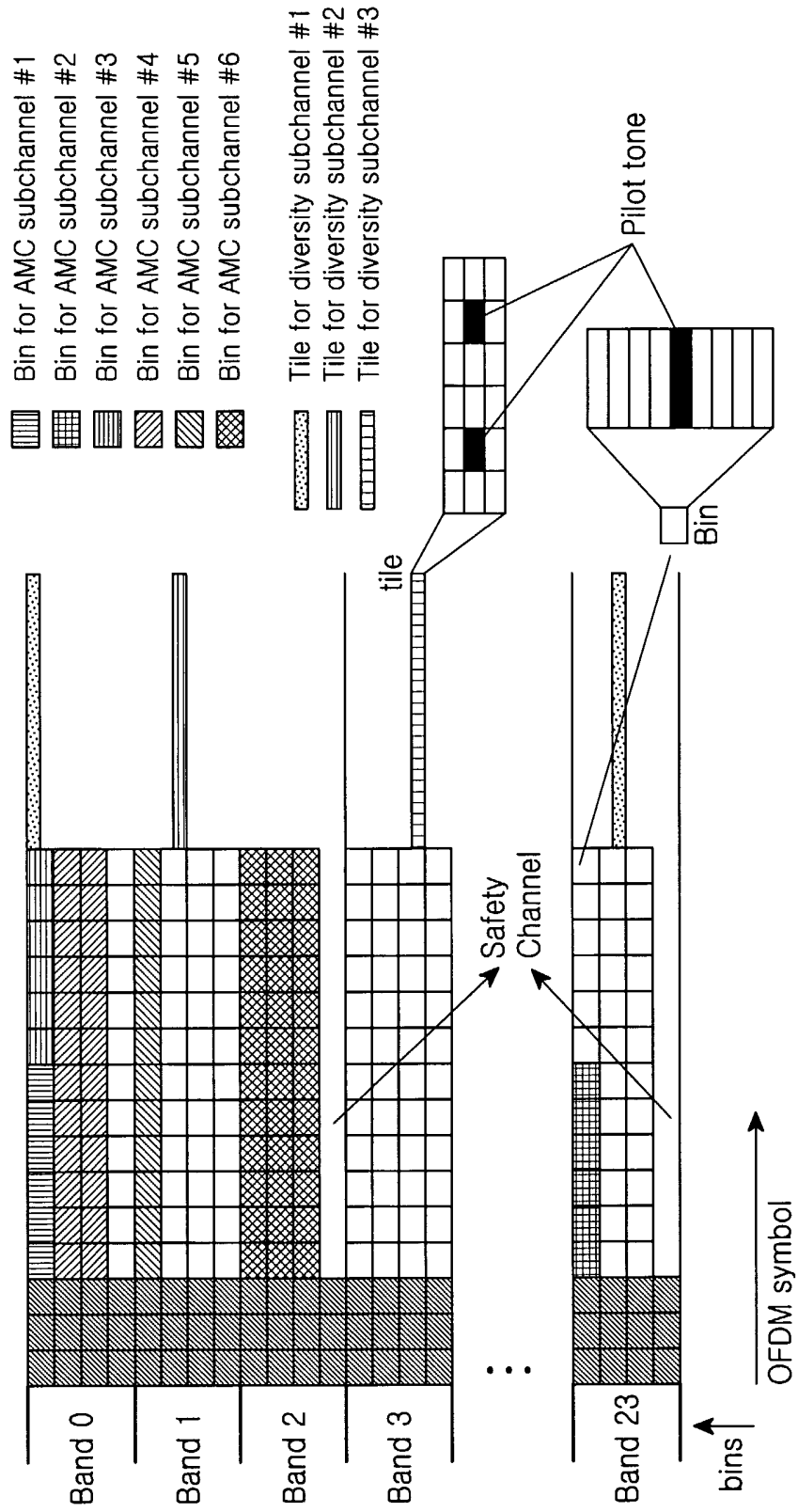


FIG.2

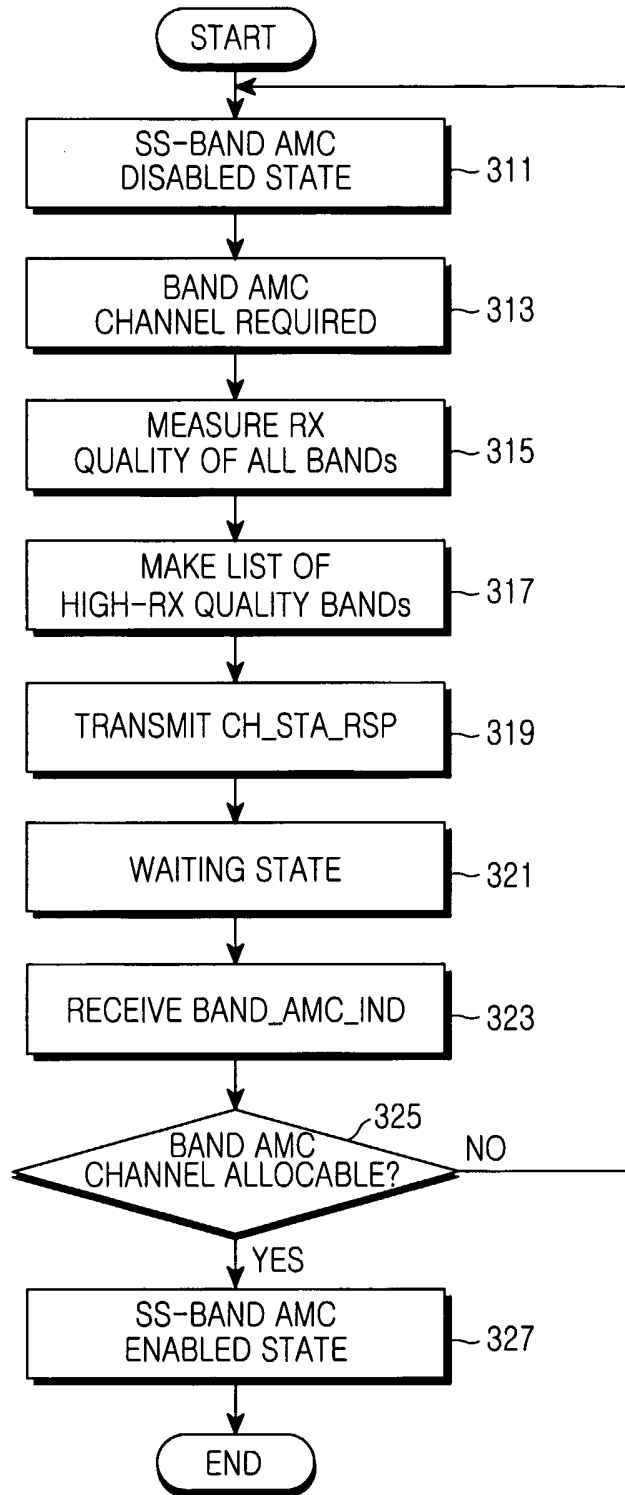


FIG. 3

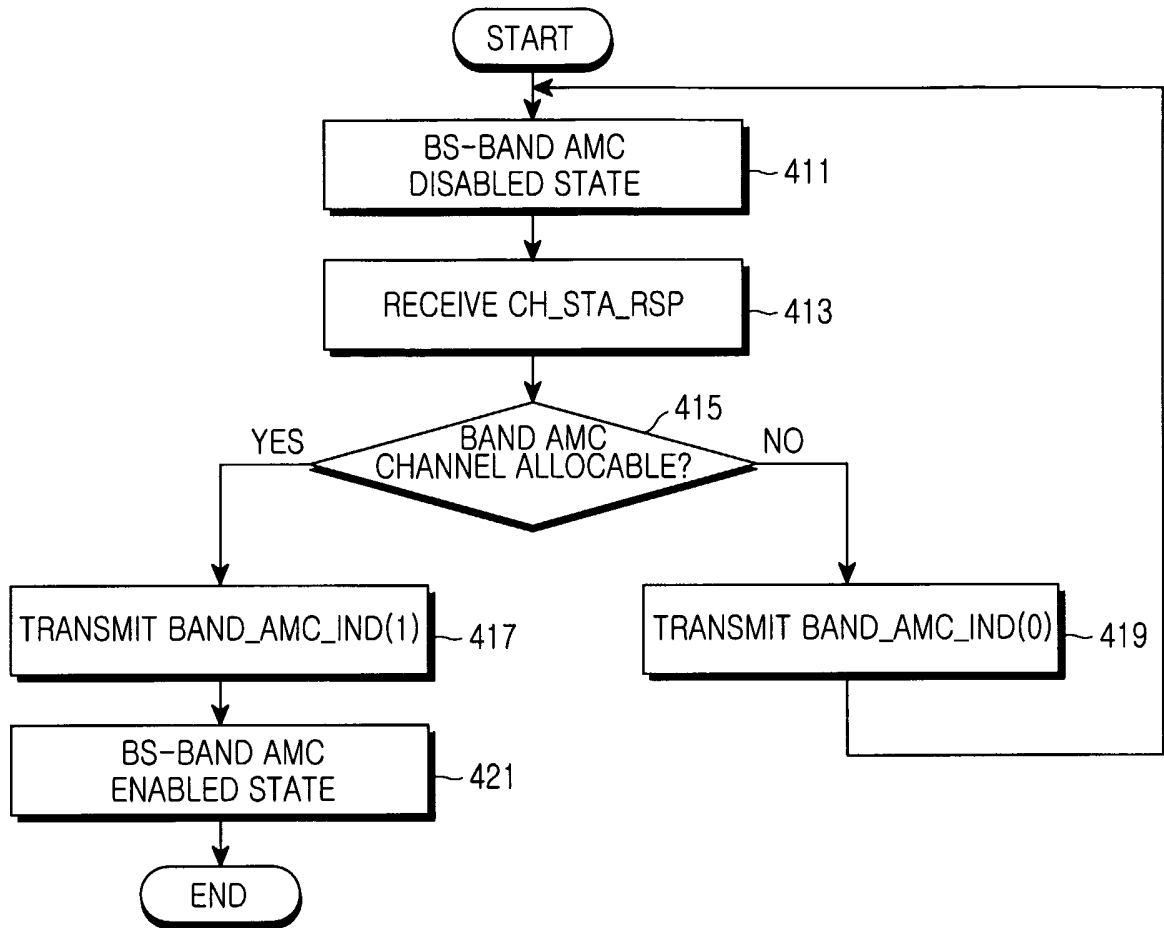


FIG.4

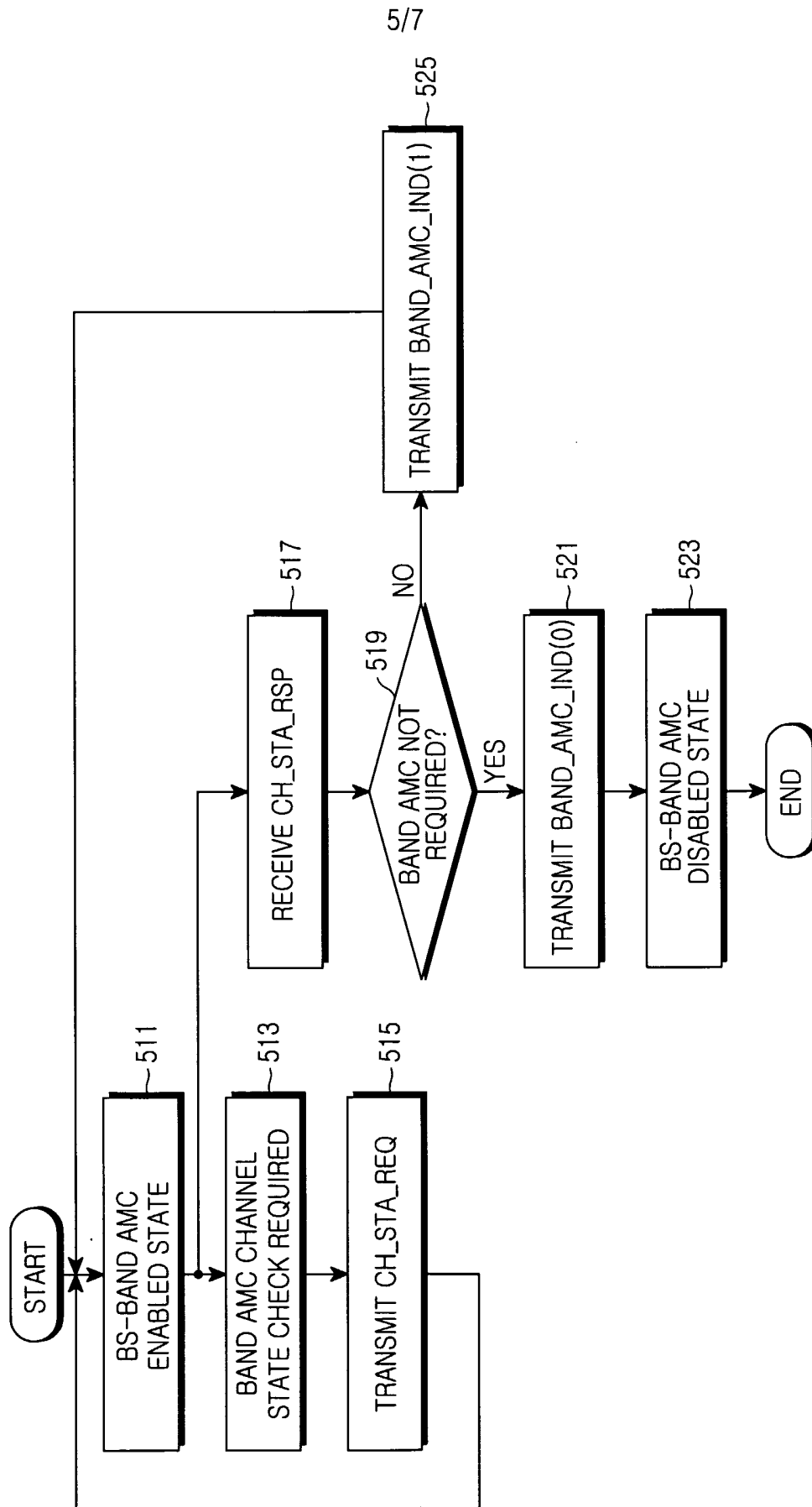


FIG.5

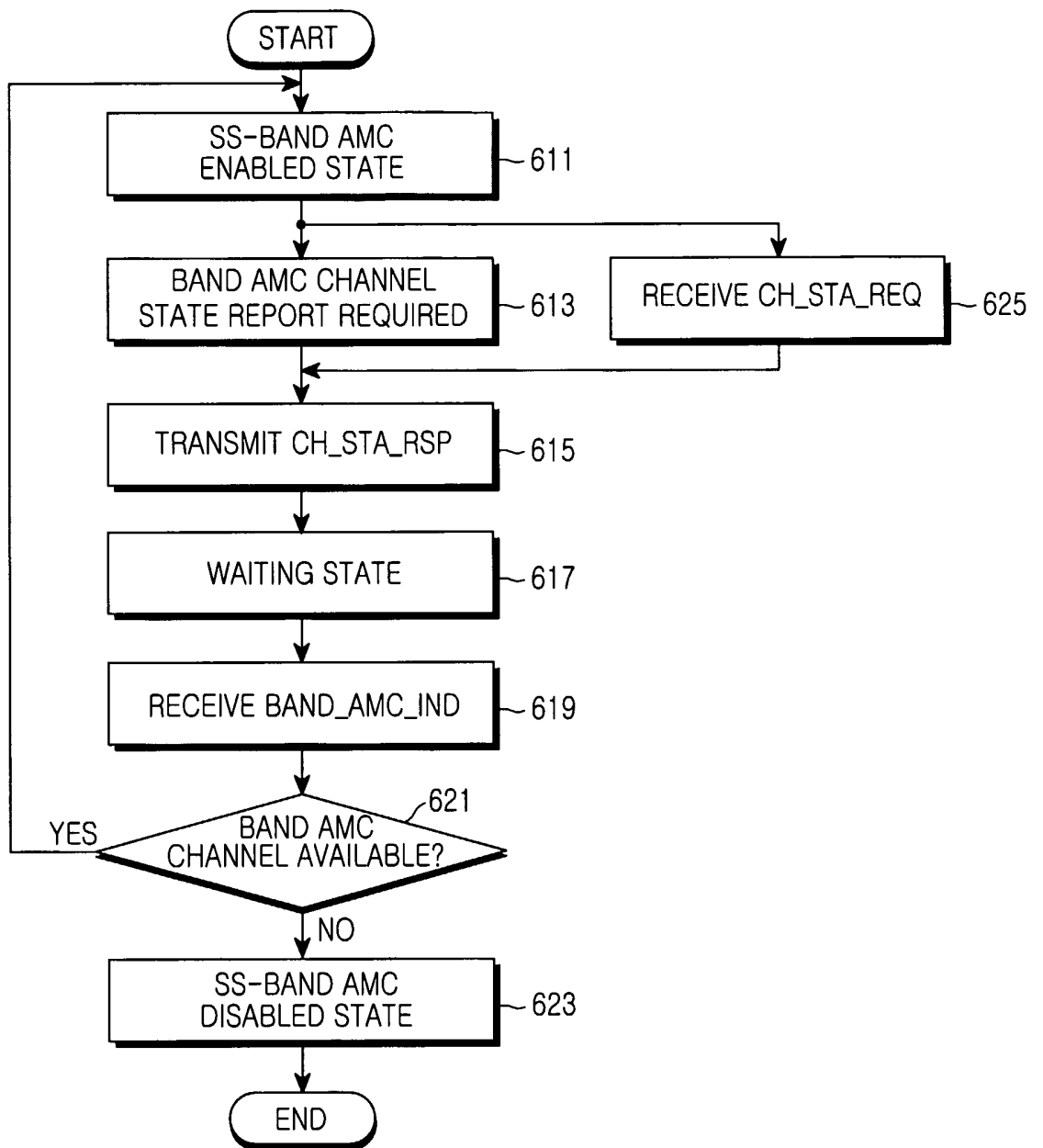


FIG.6

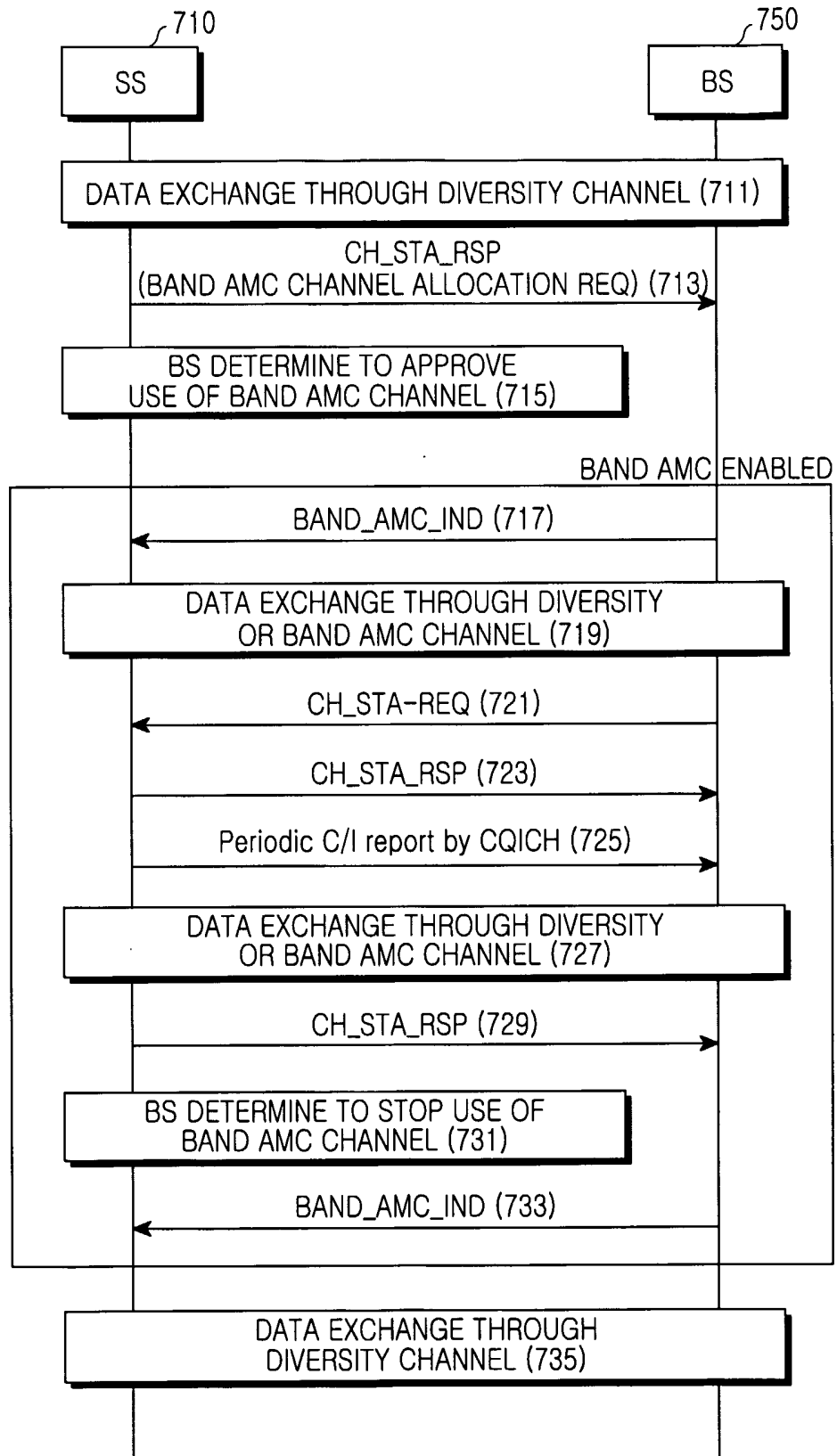


FIG. 7

INTERNATIONAL SEARCH REPORT

International application No.
PCT/KR2005/000710**A. CLASSIFICATION OF SUBJECT MATTER****IPC7 H04B 7/26**

According to International Patent Classification (IPC) or to both national classification and IPC

B. FIELDS SEARCHED

Minimum documentation searched (classification system followed by classification symbols)

IPC7 H04B 7/26, H04B 7/216, H04K 1/10, H04Q 7/00, H04L 1/00

Documentation searched other than minimum documentation to the extent that such documents are included in the fields searched

KOREAN PATENTS AND APPLICATIONS FOR INVENTIONS SINCE 1975

KOREAN UTILITY MODELS AND APPLICATIONS FOR UTILITY MODELS SINCE 1975

Electronic data base consulted during the international search (name of data base and, where practicable, search terms used)

KIPASS, DELPHION, ESPACENET & Keywords : AMC, channel, quality, allocate, ofdm and similar terms.

C. DOCUMENTS CONSIDERED TO BE RELEVANT

Category*	Citation of document, with indication, where appropriate, of the relevant passages	Relevant to claim No.
A	US 2003/123559 A1 (MOTOROLA, INC.) 3 July 2003 * abstract, paragraphs[0029]-[0052], figures 5-11 *	1, 16, 29, 47, 58
A	US 2003/21245 A1 (HAUMONTE ET AL.) 30 January 2003 * abstract, paragraphs[0027]-[0053], figures 2, 3 *	1, 16, 29, 47, 58
PA	US 2004/66754 A1 (NOKIA CORP.) 8 April 2004 * the whole document *	1, 16, 29, 47, 58
PA	EP 1447933 A2 (LG ELECTRONICS, INC.) 18 August 2004 * the whole document *	1, 8, 16, 29, 47, 58

 Further documents are listed in the continuation of Box C. See patent family annex.

* Special categories of cited documents:

"A" document defining the general state of the art which is not considered to be of particular relevance

"E" earlier application or patent but published on or after the international filing date

"L" document which may throw doubts on priority claim(s) or which is cited to establish the publication date of citation or other special reason (as specified)

"O" document referring to an oral disclosure, use, exhibition or other means

"P" document published prior to the international filing date but later than the priority date claimed

"T" later document published after the international filing date or priority date and not in conflict with the application but cited to understand the principle or theory underlying the invention

"X" document of particular relevance; the claimed invention cannot be considered novel or cannot be considered to involve an inventive step when the document is taken alone

"Y" document of particular relevance; the claimed invention cannot be considered to involve an inventive step when the document is combined with one or more other such documents, such combination being obvious to a person skilled in the art

"&" document member of the same patent family

Date of the actual completion of the international search

12 JULY 2005 (12.07.2005)

Date of mailing of the international search report

12 JULY 2005 (12.07.2005)

Name and mailing address of the ISA/KR

Korean Intellectual Property Office
920 Dunsan-dong, Seo-gu, Daejeon 302-701,
Republic of Korea

Facsimile No. 82-42-472-7140

Authorized officer

KIM, Sang Woo

Telephone No. 82-42-481-8324



INTERNATIONAL SEARCH REPORT

Information on patent family members

International application No.

PCT/KR2005/000710

Patent document cited in search report	Publication date	Patent family member(s)	Publication date
US 2003/123559 A1	03.07.2003	AU2002361777A1 W02003058907A1	24.07.2003 17.07.2003
US 2003/21245 A1	30.01.2003	NONE	
US 2004/66754 A1	08.04.2004	NONE	
EP 1447933 A2	18.08.2004	CN1521959A JP2004248275A2 US20040165552A1	18.08.2004 02.09.2004 26.08.2004