



US00D419160S

# United States Patent [19]

[11] Patent Number: Des. 419,160

Davidson et al.

[45] Date of Patent: \*\* Jan. 18, 2000

[54] **PERSONAL COMMUNICATIONS UNIT DOCKING STATION**

[75] Inventors: **Steven F. Davidson**, Skokie; **Kim D. Vollendorf**, Cary; **Michael F. DiCicco**, Carol Stream; **David C. Brown**; **Christopher C. Gielow**, both of Chicago; **David J. Cottingham**, Wilmette, all of Ill.

[73] Assignee: **Northrop Grumman Corporation**, Los Angeles, Calif.

[\*\*] Term: **14 Years**

[21] Appl. No.: **29/088,089**

[22] Filed: **May 14, 1998**

[51] **LOC (7) Cl.** ..... **14-03**

[52] **U.S. Cl.** ..... **D14/253; D14/137**

[58] **Field of Search** ..... D14/137, 114, D14/138, 107, 148, 147, 149-151, 140-142, 240, 241, 251, 253; 379/433-436, 419, 420, 428, 440, 454, 455, 446, 447; D13/107, 108, 147; 320/110, 113, 114, 115, 111, 112; 455/90, 347, 349; 439/638

D. 393,260	4/1998	Yahaya .....	D14/137
D. 393,638	4/1998	Page et al. ....	D14/137
D. 412,162	7/1999	Tal et al. ....	D14/114
3,916,312	10/1975	Campbell .....	325/16
3,917,372	11/1975	Selinko .....	339/75
4,025,721	5/1977	Groupe et al. ....	179/1 P
4,031,468	6/1977	Ziebell et al. ....	325/312
4,052,568	10/1977	Jankowski .....	179/15
4,156,797	5/1979	Hoole .....	179/1
4,227,258	10/1980	Root et al. ....	455/348
4,277,645	7/1981	May, Jr. ....	179/1
4,325,142	4/1982	Nakazawa .....	455/89
4,374,301	2/1983	Jrieder, Jr. ....	179/1
4,417,102	11/1983	Allen .....	364/513
4,448,344	11/1984	Mai et al. ....	381/46
4,621,373	11/1986	Hodsdon .....	455/89
4,625,083	11/1986	Poikela .....	379/389
4,627,107	12/1986	Hohlfeld et al. ....	455/11
4,654,882	3/1987	Ikeda .....	455/88
4,682,367	7/1987	Childress et al. ....	455/17
4,734,049	3/1988	George et al. ....	439/259
4,754,484	6/1988	Larkin et al. ....	379/430
4,761,823	8/1988	Fier .....	455/89
4,882,746	11/1989	Shimada .....	379/61
4,903,325	2/1990	Yoshitake et al. ....	455/89
4,905,272	2/1990	Van de Mortel et al. ....	379/62
4,955,050	9/1990	Yamauchi .....	379/59
4,993,065	2/1991	Chiou .....	379/430
5,020,090	5/1991	Morris .....	379/58

[56] **References Cited**

**U.S. PATENT DOCUMENTS**

D. 265,402	7/1982	Fukushima et al. ....	D14/68
D. 267,249	12/1982	Fukushima et al. ....	D14/68
D. 298,242	10/1988	Watanabe .....	D14/64
D. 309,136	7/1990	Siddoway .....	D14/137
D. 339,128	9/1993	Claxton et al. ....	D14/138
D. 344,261	2/1994	Watanabe .....	D13/107
D. 344,708	3/1994	Ho .....	D13/108
D. 362,004	9/1995	Nakano et al. ....	D14/253
D. 362,663	9/1995	Nguyen .....	D14/107
D. 368,711	4/1996	Wicks et al. ....	D14/138
D. 378,678	4/1997	Tyneski et al. ....	D14/137
D. 378,816	4/1997	Hino .....	D14/138
D. 383,745	9/1997	Lindeman et al. ....	D14/137
D. 384,059	9/1997	Hockenberry et al. ....	D14/137
D. 385,269	10/1997	Kim .....	D14/137
D. 385,270	10/1997	Yahaya .....	D14/137
D. 385,283	10/1997	Synder et al. ....	D14/253
D. 389,159	1/1998	Patterson et al. ....	D14/253

(List continued on next page.)

*Primary Examiner*—Jeffrey Asch

*Attorney, Agent, or Firm*—Terry J. Anderson; Karl J. Hoch, Jr.

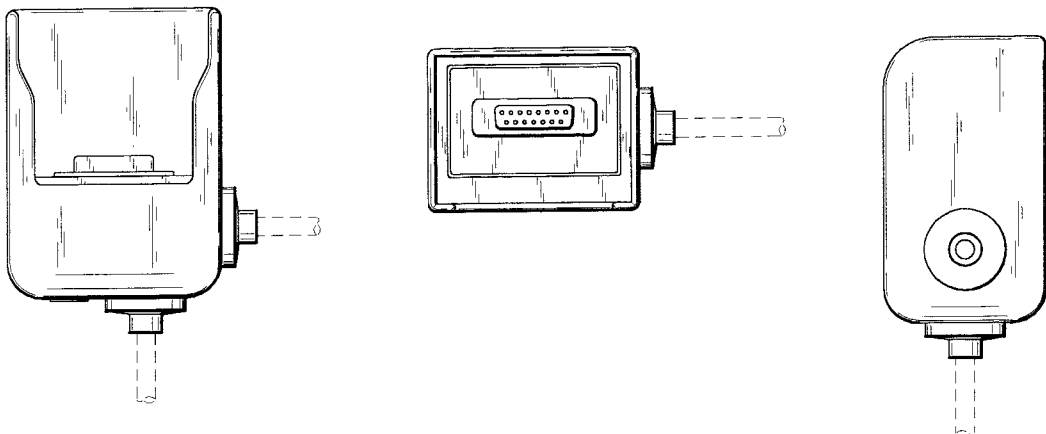
[57] **CLAIM**

The ornamental design for a personal communications unit docking station, as shown and described.

**DESCRIPTION**

FIG. 1 is a front view of the invention; FIG. 2 is a top view of the invention; FIG. 3 is a side view of the invention; FIG. 4 is an opposite side view of the invention; FIG. 5 is a bottom view of the invention; and, FIG. 6 is a rear view of the invention.

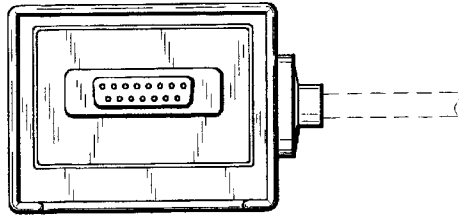
**1 Claim, 1 Drawing Sheet**



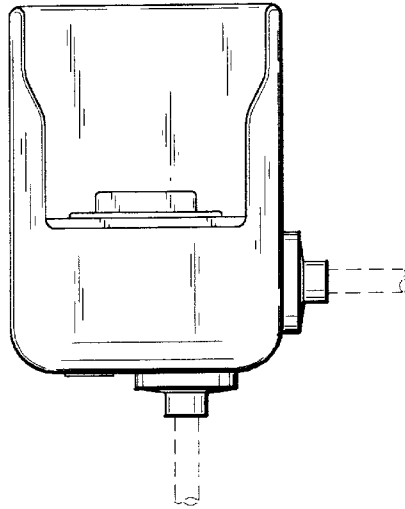
## U.S. PATENT DOCUMENTS

5,023,936	6/1991	Szczutkowski et al. ....	455/90	5,471,503	11/1995	Altamier et al. ....	375/202
5,038,400	8/1991	Baracat et al. ....	455/90	5,481,591	1/1996	Suzuki .....	379/58
5,081,641	1/1992	Kotzin et al. ....	375/1	5,487,175	1/1996	Bayley et al. ....	455/54.2
5,121,391	6/1992	Paneth et al. ....	370/95.1	5,493,703	2/1996	Yamashita .....	455/89
5,121,504	6/1992	Toko .....	455/90	5,504,803	4/1996	Yamada et al. ....	379/59
5,128,959	7/1992	Bruckert .....	375/1	5,506,887	4/1996	Emery et al. ....	379/58
5,133,001	7/1992	Bohm .....	379/58	5,509,053	4/1996	Gowda et al. ....	379/63
5,140,628	8/1992	Murata et al. ....	379/61	5,509,406	4/1996	Kock et al. ....	128/203.14
5,170,494	12/1992	Levanto .....	455/90	5,513,248	4/1996	Evans et al. ....	379/61
5,189,358	2/1993	Tomura et al. ....	320/2	5,519,763	5/1996	Namekawa et al. ....	379/61
5,191,593	3/1993	McDonald et al. ....	375/1	5,533,097	7/1996	Cran et al. ....	379/58
5,193,217	3/1993	Lunn et al. ....	455/79	5,535,274	7/1996	Bratberg et al. ....	379/454 X
5,230,016	7/1993	Yasuda .....	379/58	5,555,448	9/1996	Thiede et al. ....	455/89
5,230,080	7/1993	Habre et al. ....	455/15	5,568,536	10/1996	Tiller et al. ....	379/58
5,247,567	9/1993	Hirano .....	379/61	5,574,775	11/1996	Miller, II et al. ....	379/60
5,255,308	10/1993	Hashimoto et al. ....	379/61	5,579,535	11/1996	Orlen et al. ....	455/33.1
5,259,017	11/1993	Langmantel .....	379/58	5,590,406	12/1996	Bayley et al. ....	455/54.2
5,259,020	11/1993	Hirano .....	379/61	5,590,417	12/1996	Rydbeck .....	455/89
5,261,121	11/1993	Hashimoto .....	455/89	5,594,777	1/1997	Makkonen et al. ....	379/58
5,263,047	11/1993	Kotzin et al. ....	375/1	5,594,952	1/1997	Virtuoso et al. ....	455/89
5,265,150	11/1993	Helmkamp et al. ....	379/58	5,596,333	1/1997	Bruckert .....	342/457
5,274,634	12/1993	Babiarz .....	370/60	5,602,843	2/1997	Gray .....	370/338
5,276,680	1/1994	Messenger .....	370/85.1	5,603,081	2/1997	Raith et al. ....	455/33.1
5,276,765	1/1994	Freeman et al. ....	395/2	5,606,560	2/1997	Malek et al. ....	370/347
5,283,806	2/1994	Dartois et al. ....	375/1	5,610,972	3/1997	Emery et al. ....	379/58
5,283,817	2/1994	Hara et al. ....	379/61	5,619,493	4/1997	Ritz et al. ....	370/330
5,293,588	3/1994	Satoh et al. ....	395/2.42	5,619,553	4/1997	Young et al. ....	379/61
5,297,142	3/1994	Pageot et al. ....	370/85.6	5,625,673	4/1997	Grewe et al. ....	379/61
5,305,467	4/1994	Herndon et al. ....	455/56.1	5,625,877	4/1997	Dunn et al. ....	455/34.1
5,325,419	6/1994	Connolly et al. ....	379/60	5,633,911	5/1997	Han et al. ....	379/58
5,353,331	10/1994	Emery et al. ....	379/58	5,640,689	6/1997	Rossi .....	455/89
5,365,572	11/1994	Saegusa et al. ....	379/61	5,644,621	7/1997	Yamashita et al. ....	455/463
5,390,233	2/1995	Jensen et al. ....	379/58	5,649,055	7/1997	Gupta et al. ....	395/2.42
5,406,615	4/1995	Miller, II et al. ....	379/59	5,657,375	8/1997	Connolly et al. ....	455/436
5,408,496	4/1995	Ritz et al. ....	375/202	5,657,422	8/1997	Janiszewski et al. ....	395/2.37
5,410,632	4/1995	Hong et al. ....	395/2.42	5,659,594	8/1997	Toda et al. ....	455/552
5,410,737	4/1995	Jones .....	455/56.1	5,659,882	8/1997	Fukutomi .....	455/524
5,416,828	5/1995	Hiramatsu et al. ....	379/58	5,659,890	8/1997	Hidaka .....	455/575
5,440,613	8/1995	Fuentes .....	379/60	5,664,005	9/1997	Emery et al. ....	455/422
5,442,659	8/1995	Bauchot et al. ....	375/202	5,675,629	10/1997	Raffel et al. ....	379/58
5,446,769	8/1995	Shaver et al. ....	375/202	5,736,830	4/1998	Weng .....	320/111 X
5,448,757	9/1995	Hirata .....	455/43	5,774,793	6/1998	Cooper et al. ....	455/89
5,459,814	10/1995	Gupta et al. ....	395/2.42	5,790,661	8/1998	Patterson .....	379/455 X
5,465,401	11/1995	Thompson .....	455/89	5,825,874	10/1998	Humphrey's et al. ....	379/446
5,469,496	11/1995	Emery et al. ....	379/58	5,898,775	4/1999	Niemo et al. ....	379/446

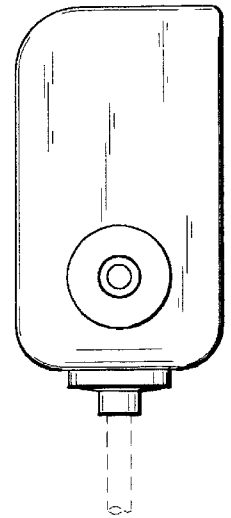
*Fig. 2*



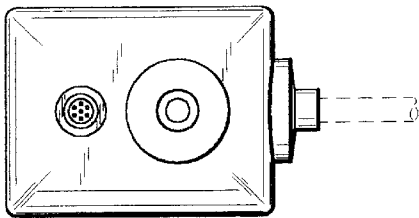
*Fig. 3*



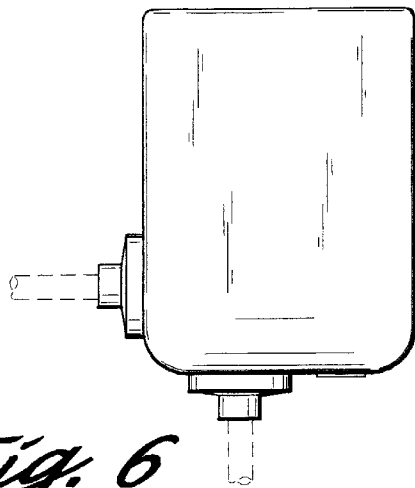
*Fig. 1*



*Fig. 4*



*Fig. 5*



*Fig. 6*