



(12) **United States Design Patent**
Wrobleski

(10) **Patent No.:** **US D995,015 S**
(45) **Date of Patent:** **** Aug. 8, 2023**

(54) **CLEANING FOOT FOR A FLOOR CLEANER**

FOREIGN PATENT DOCUMENTS

- (71) Applicant: **BISSELL Inc.**, Grand Rapids, MI (US)
- (72) Inventor: **Dennis J. Wrobleski**, Lowell, MI (US)
- (73) Assignee: **BISSELL Inc.**, Grand Rapids, MI (US)

CN	201115650	Y	*	9/2008	
CN	108720724	A	*	11/2018 A47L 9/0411
GB	2506119	A	*	3/2014 A47L 5/28
WO	WO-2020106657	A1	*	5/2020 A47L 11/30

(**) Term: **15 Years**

(21) Appl. No.: **29/795,993**

(22) Filed: **Jun. 22, 2021**

(51) **LOC (14) Cl.** **15-05**

(52) **U.S. Cl.**
USPC **D32/15**

(58) **Field of Classification Search**
USPC D32/19, 20, 50, 52, 18, 22, 21
CPC . A47L 5/30; A47L 9/0477; A47L 5/28; A47L
11/22

See application file for complete search history.

(56) **References Cited**

U.S. PATENT DOCUMENTS

D430,715	S	*	9/2000	Ekhoff	D32/34
D648,910	S	*	11/2011	Raven	D32/33
D738,583	S	*	9/2015	Gidwell	D32/32
D770,109	S	*	10/2016	Chu, Jr.	D32/32
D779,751	S	*	2/2017	Chu	D32/32
D780,393	S	*	2/2017	Carr	D32/32
D781,014	S	*	3/2017	Wu	D32/32
D812,332	S	*	3/2018	Yoon	D32/32
9,986,881	B2	*	6/2018	VanTongeren	A47L 9/02
D850,040	S	*	5/2019	Wrobleski	D32/32
D879,397	S	*	3/2020	Kim	D32/32
D910,948	S	*	2/2021	Haverkamp	D32/32
D910,949	S	*	2/2021	Haverkamp	D32/32
D917,810	S	*	4/2021	Knapp	D32/22
2004/0211027	A1	*	10/2004	Park	A47L 5/34 15/354
2012/0180258	A1	*	7/2012	Seo	A47L 9/0054 15/354
2018/0078103	A1	*	3/2018	VanTongeren	A47L 5/34
2020/0129021	A1	*	4/2020	Davila	A47L 9/0433

OTHER PUBLICATIONS

Upright vacuum cleaner, posted Mar. 25, 2021 [online], [retrieved Feb. 8, 2023]. Retrieved from internet, https://www.amazon.co.uk/Hoover-HU300RHM-Lightweight-Steerable-Multi-cyclonic/dp/B0912XN5VF/ref=sr_1_54?crd=38NEX423ENF6G&keywords=vacuum%2Bcleaner&qid=1675867917&s=kitchen&sprefix=vacuum%2Bcleaner%2Ckitchen (Year: 2021).*

Cordless vacuum cleaner, posted Jun. 22, 2020 [online], [retrieved Feb. 8, 2023]. Retrieved from internet, https://www.amazon.co.uk/Vax-ONEPWR-Cordless-Cleaner-Motorised/dp/B08B8XNK9Q/ref=sr_1_99?crd=38NEX423ENF6G&keywords=vacuum%2Bcleaner&qid=1675868328&s=kitchen&sprefix=vacuum%2Bcleaner%2Ckitchen%2C180&sr=1-99 (Year: 2020).*

* cited by examiner

Primary Examiner — Khawaja Anwar

Assistant Examiner — Taylor O Mortorff

(74) *Attorney, Agent, or Firm* — Warner Norcross + Judd LLP

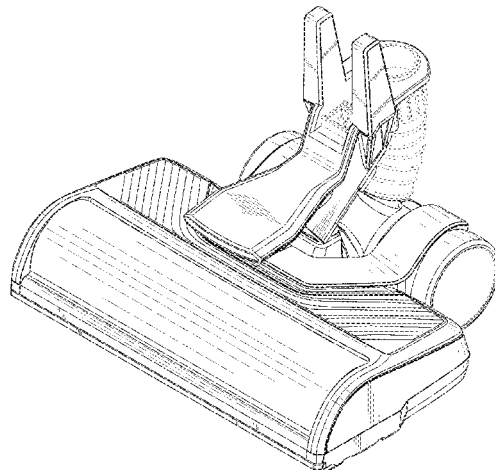
(57) **CLAIM**

The ornamental design for a cleaning foot for a floor cleaner, as shown and described.

DESCRIPTION

FIG. 1 is a front perspective view of a cleaning foot for a floor cleaner showing my new design;
FIG. 2 is a front view thereof;
FIG. 3 is a rear view thereof;
FIG. 4 is a right side view thereof;
FIG. 5 is a left side view thereof; and,
FIG. 6 is a top view thereof.

(Continued)



The details of the cleaning foot for a floor cleaner shown in broken lines form no part of the claimed design.

1 Claim, 6 Drawing Sheets

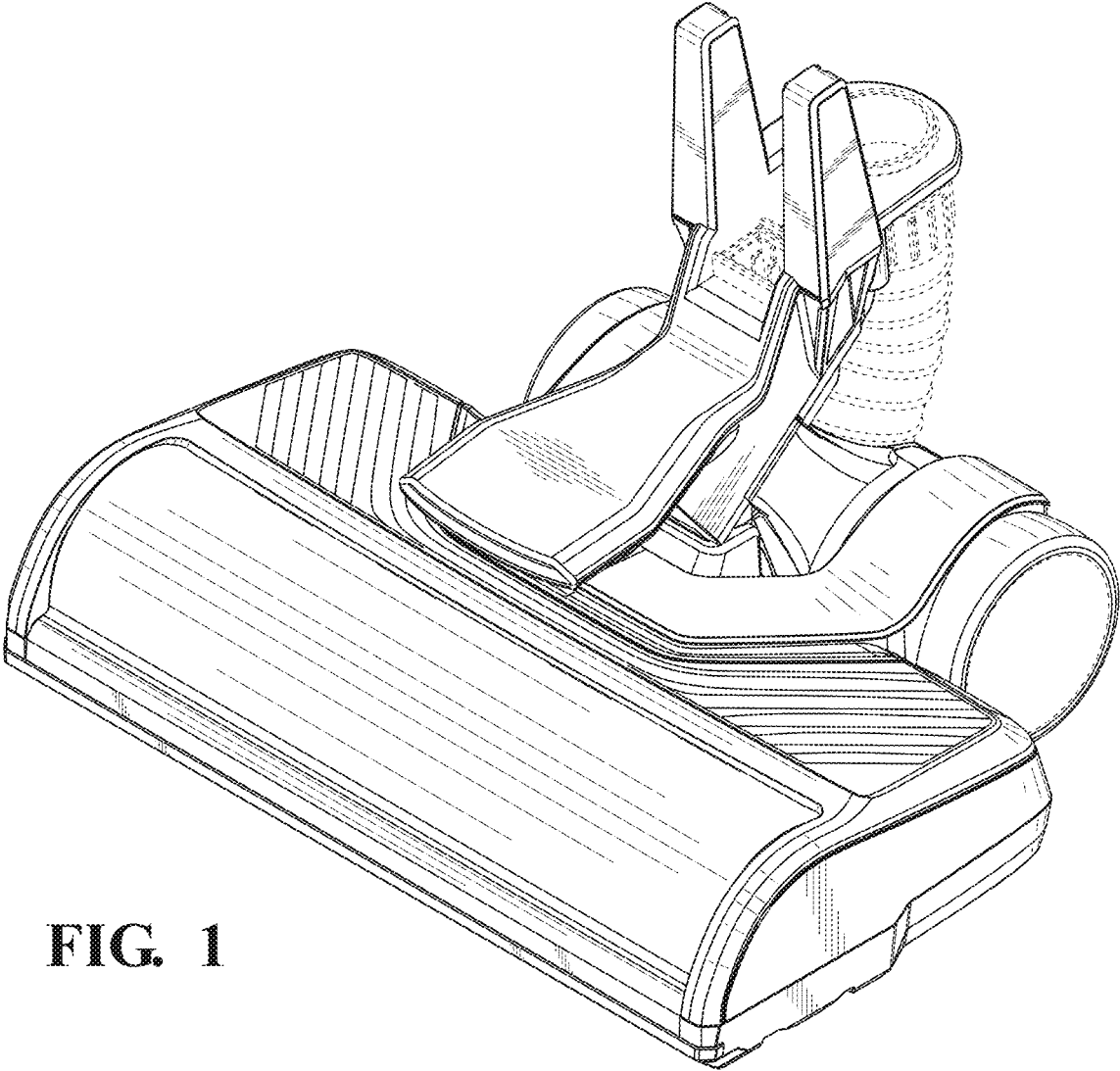


FIG. 1

FIG. 2

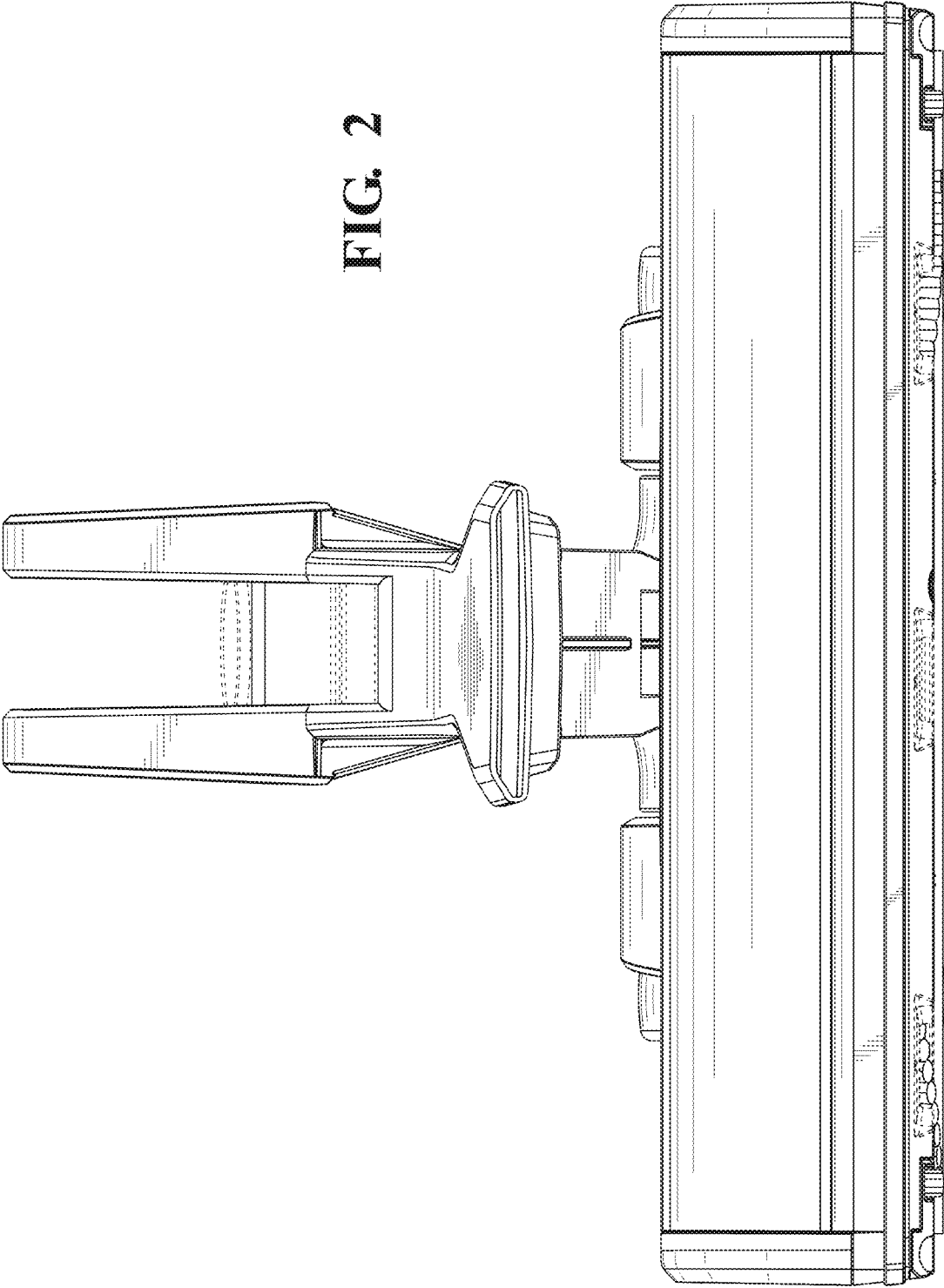
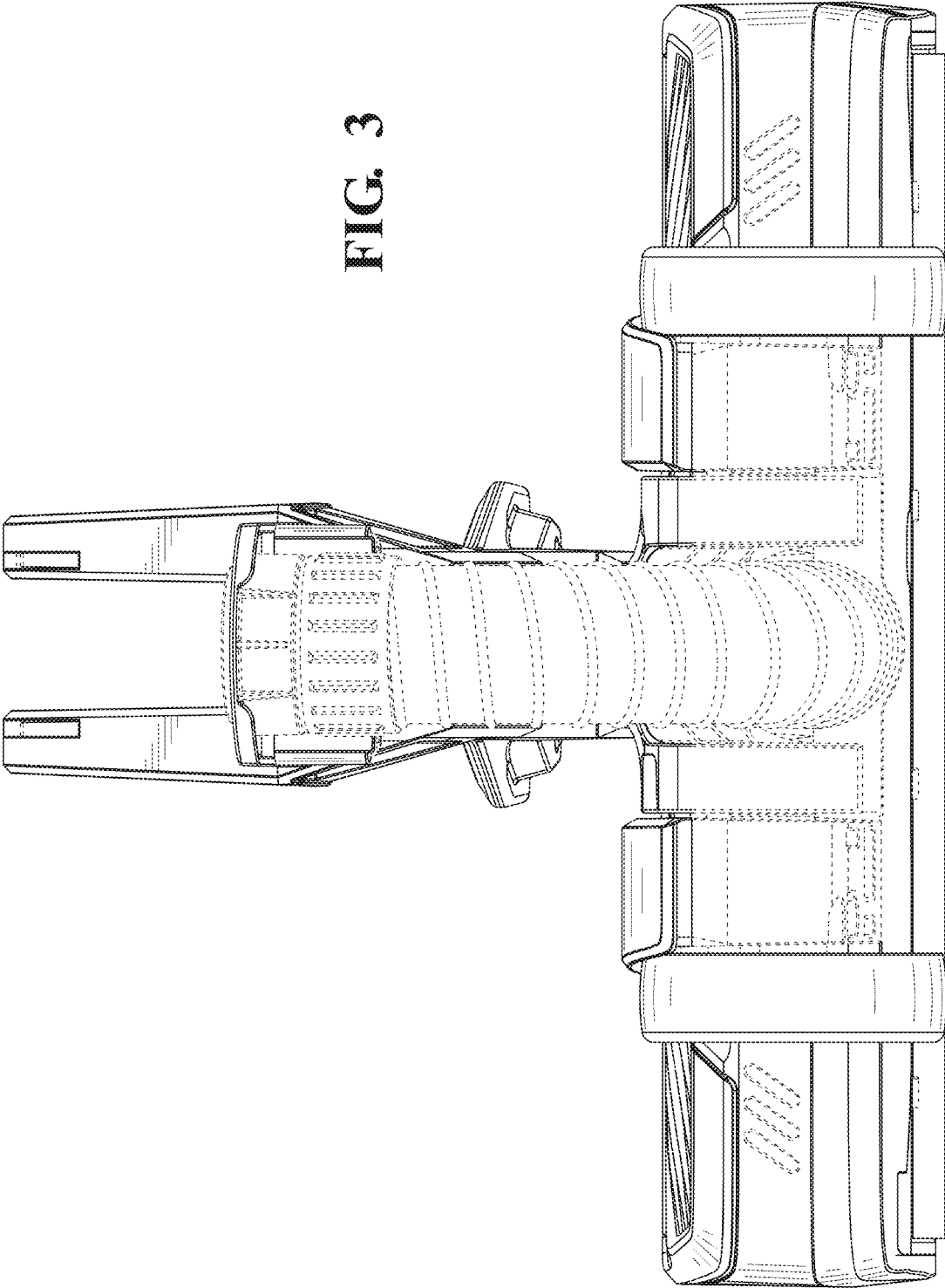


FIG. 3



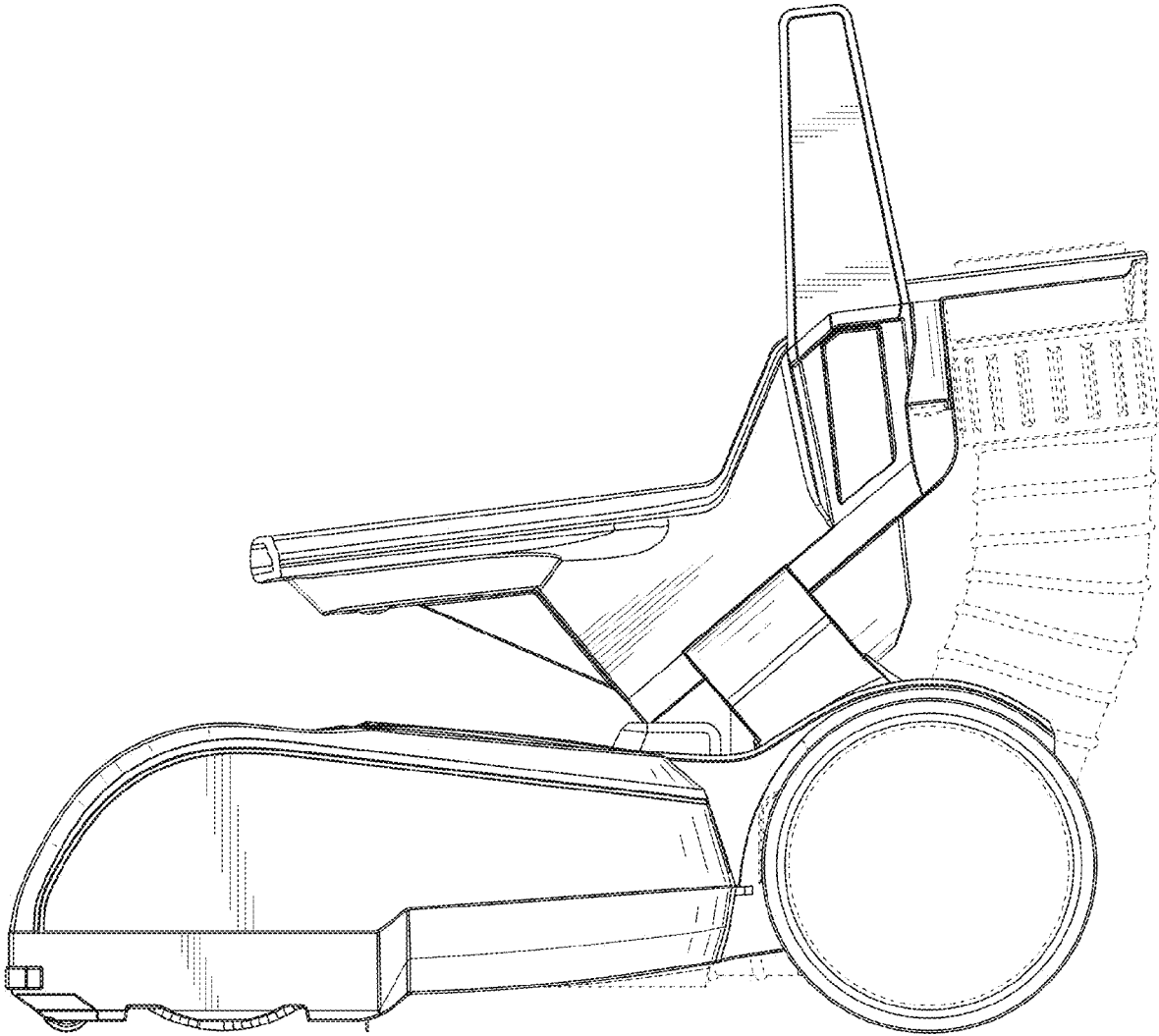


FIG. 4

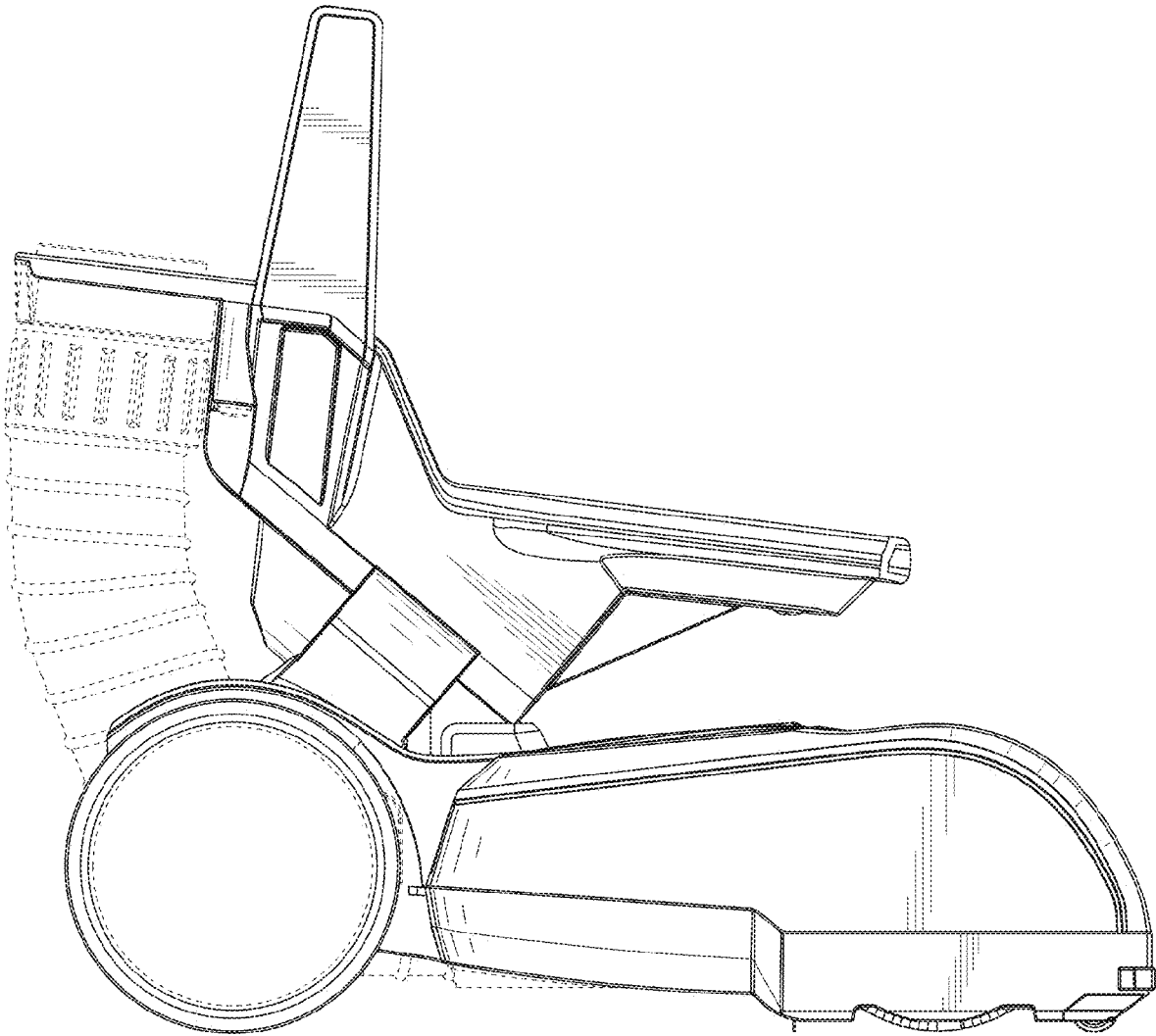


FIG. 5

FIG. 6

