



US00D984562S

(12) **United States Design Patent**  
**Kwon et al.**

(10) **Patent No.:** **US D984,562 S**  
(45) **Date of Patent:** **\*\* Apr. 25, 2023**

- (54) **ROWING MACHINE**
- (71) Applicant: **Hydrow, Inc.**, Cambridge, MA (US)
- (72) Inventors: **Taehak Kwon**, Brookline, MA (US);  
**Julianna Miller**, Boston, MA (US)
- (73) Assignee: **Hydrow, Inc.**, Boston, MA (US)
- (\*\*) Term: **15 Years**
- (21) Appl. No.: **29/750,571**
- (22) Filed: **Sep. 15, 2020**

D367,508 S \* 2/1996 Dreissigacker ..... D21/674  
 5,707,322 A 1/1998 Dreissigacker et al.  
 5,865,713 A \* 2/1999 Hsu ..... A63B 23/03566  
 482/72  
 6,695,332 B1 2/2004 Kang  
 (Continued)

**FOREIGN PATENT DOCUMENTS**

AU 202014322 S 8/2020  
 AU 202112463 S 4/2021  
 (Continued)

**OTHER PUBLICATIONS**

Eurasian Preliminary Examination Report in Eurasian Application  
 No. 006039020-0001 dated Jan. 24, 2019, 5 pages.  
 (Continued)

*Primary Examiner* — Ryan Harvey  
 (74) *Attorney, Agent, or Firm* — Fish & Richardson P.C.

(57) **CLAIM**

The ornamental design for a rowing machine, as shown and described.

**DESCRIPTION**

FIG. 1 is a front perspective view of a rowing machine.  
 FIG. 2 is a front view of the rowing machine of FIG. 1.  
 FIG. 3 is a back view of the rowing machine of FIG. 1.  
 FIG. 4 is a right side view of the rowing machine of FIG. 1.  
 FIG. 5 is a left side view of the rowing machine of FIG. 1.  
 FIG. 6 is a top view of the rowing machine of FIG. 1.  
 FIG. 7 is a bottom view of the rowing machine of FIG. 1;  
 and,  
 FIG. 8 is a back perspective view of the rowing machine of  
 FIG. 1.  
 The broken lines illustrate environmental features that form  
 no part of the claimed design.

**1 Claim, 8 Drawing Sheets**

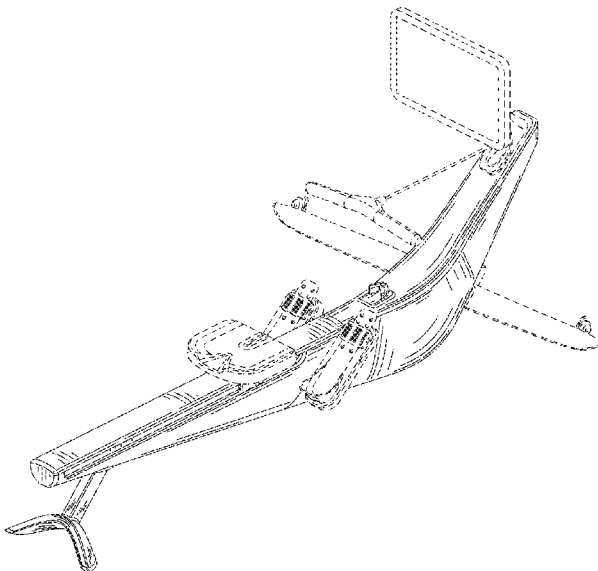
**Related U.S. Application Data**

- (63) Continuation of application No. 29/656,695, filed on  
 Jul. 16, 2018, now Pat. No. Des. 898,843.
- (51) **LOC (14) Cl.** ..... **21-02**
- (52) **U.S. Cl.**  
 USPC ..... **D21/674**
- (58) **Field of Classification Search**  
 USPC ..... D21/673, 674, 662, 694, 695, 676, 663,  
 D21/665, 688; 472/72, 73, 4, 96, 9, 95,  
 472/140  
 CPC ..... A63B 22/0076; A63B 2022/0079; A63B  
 2022/0084; A63B 21/225; A63B 22/0089;  
 A63B 21/068; A63B 69/06  
 See application file for complete search history.

**References Cited**

**U.S. PATENT DOCUMENTS**

4,396,188 A \* 8/1983 Dreissigacker .... A63B 22/0076  
 482/110  
 4,798,378 A 1/1989 Jonas  
 4,880,224 A 11/1989 Jonas  
 D324,709 S 3/1992 Lehtonen  
 5,122,105 A 6/1992 Engel  
 D337,799 S \* 7/1993 Cutter ..... D21/666  
 D358,855 S \* 5/1995 Wang ..... D21/674



(56)

## References Cited

## U.S. PATENT DOCUMENTS

- 6,991,589 B1\* 1/2006 Patterson ..... A63B 21/0088  
482/142
- D609,288 S 2/2010 Khubani  
D632,746 S 2/2011 Wu  
D691,672 S 10/2013 Nichols et al.  
D691,678 S 10/2013 Cardillo  
D712,493 S 9/2014 Ercanbrack et al.  
D741,420 S\* 10/2015 Campanaro ..... D21/674  
D741,960 S 10/2015 Campanaro et al.  
D788,861 S\* 6/2017 Campanaro ..... D21/674  
9,750,972 B1\* 9/2017 Liu ..... A63B 22/20  
9,901,768 B1 2/2018 Wu  
D839,530 S 2/2019 Brunner et al.  
D844,074 S\* 3/2019 Haquet ..... D21/662  
D861,805 S 10/2019 Lisi et al.  
10,471,297 B1\* 11/2019 Smith ..... A63B 22/0087  
10,596,408 B2\* 3/2020 Stepanian ..... A63B 21/4035  
D898,843 S\* 10/2020 Kwon ..... D21/674  
10,828,531 B1\* 11/2020 Smith ..... A63B 71/0619  
D921,775 S 6/2021 Wu  
D922,503 S 6/2021 Wu  
D923,119 S\* 6/2021 Hsieh ..... D21/674  
11,083,930 B1\* 8/2021 Tipple ..... A63B 22/0076  
D936,160 S\* 11/2021 Blum ..... D21/674  
11,400,345 B2 8/2022 Gore  
2003/0216227 A1\* 11/2003 Smith ..... A63B 22/0076  
482/72
- 2004/0248713 A1 12/2004 Campanaro et al.  
2005/0085348 A1 4/2005 Kiefer et al.  
2005/0277521 A1 12/2005 Lat  
2006/0009335 A1 1/2006 Smith et al.  
2006/0189455 A1 8/2006 Yang  
2007/0082793 A1 4/2007 Yang  
2008/0261782 A1 10/2008 Campbell  
2009/0163323 A1 6/2009 Bocchicchio  
2011/0028278 A1 2/2011 Roach  
2011/0152041 A1 6/2011 Francis  
2011/0082015 A1 7/2011 Dreissigacker et al.  
2012/0225753 A1\* 9/2012 Lim ..... H04B 7/024  
482/4
- 2013/0109538 A1 5/2013 Ho  
2013/0150216 A1 6/2013 Bell et al.  
2014/0370767 A1 12/2014 Kachkovsky  
2016/0001123 A1 1/2016 Parrish, Jr.  
2016/0144223 A1 5/2016 Dalebout et al.  
2017/0014669 A1 1/2017 Hall
- 2017/0043208 A1\* 2/2017 Lonergan ..... A63B 22/0087  
2018/0056117 A1 3/2018 Hamilton  
2018/0126216 A1 5/2018 Hamilton et al.  
2018/0169463 A1 6/2018 Ellis et al.  
2018/0272182 A1 9/2018 Hou et al.  
2019/0126099 A1 5/2019 Hoang  
2019/0192899 A1\* 6/2019 Dubin ..... A63B 22/0046  
2019/0201740 A1\* 7/2019 Robert ..... A63B 1/00  
2020/0001130 A1 1/2020 Schwarz  
2020/0023231 A1\* 1/2020 Hsieh ..... A63B 1/00  
2020/0269085 A1 8/2020 Pfaff  
2020/0376328 A1 12/2020 Smith et al.  
2020/0384305 A1 12/2020 Hsieh et al.  
2021/0101047 A1\* 4/2021 Chang ..... A63B 22/0076  
2021/0101052 A1\* 4/2021 Gore ..... A63B 21/4035  
2021/0121735 A1\* 4/2021 Chou ..... A63B 22/0076  
2021/0170221 A1\* 6/2021 Hsu ..... A63B 21/0084  
2021/0244996 A1\* 8/2021 Gearon ..... A63B 69/06  
2021/0275858 A1\* 9/2021 Ross ..... A63B 22/0087

## FOREIGN PATENT DOCUMENTS

AU	202113973 S	7/2021
CN	306672101 S	7/2021
GB	6119621 S	2/2021
KR	3005472670000	12/2009
TW	D200907 S	1/2019

## OTHER PUBLICATIONS

Taiwanese Notice of Allowance in Taiwanese Application No. 108300308, dated Jul. 8, 2019, 15 pages with English Translation. USPTO Transaction History for U.S. Appl. No. 29/656,695, downloaded on Sep. 17, 2019.

Amazon.com [online] "Bluefin Fitness Rower Machine Blade Home Gym Foldable Magnetic Resistance Rower 8 x Tension Levels Smartphone App," Oct. 2019, retrieved on Aug. 25, 2022, retrieved from URL<<https://www.amazon.com/Bluefin-Fitness-Foldable-Resistance-Smartphone/dp/BSRVFPDF/ref>>, 10 pages.

Amazon.com [online] "Echelon Smart Rowing Machine +30 Day Free Echelon Membership," Aug. 2020, retrieved on Aug. 25, 2022, retrieved from URL<<https://www.amazon.com/dp/BO8BQS7PKY/ref>>, 7 pages.

Amazon.com [online] "NordicTrack Smart Rower with Touchscreen and 30-Day iFIT Family Membership," Apr. 2021, retrieved on Aug. 25, 2022, retrieved from URL<<https://www.amazon.com/NordicTrack-Upgraded-Touchscreen-30-Day-Membership/dp/B0935VVXGDK/ref>>, 7 pages.

\* cited by examiner

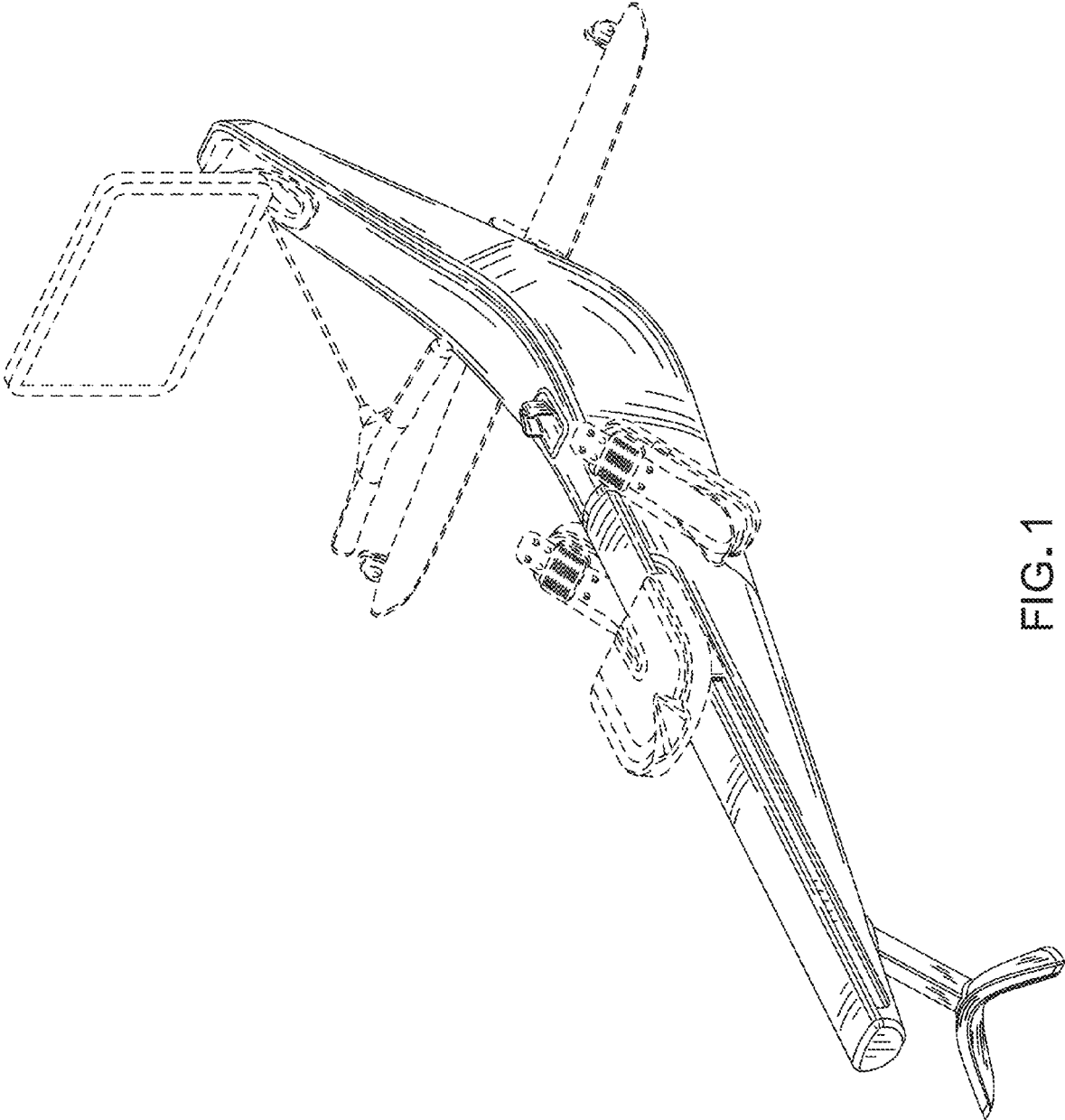


FIG. 1

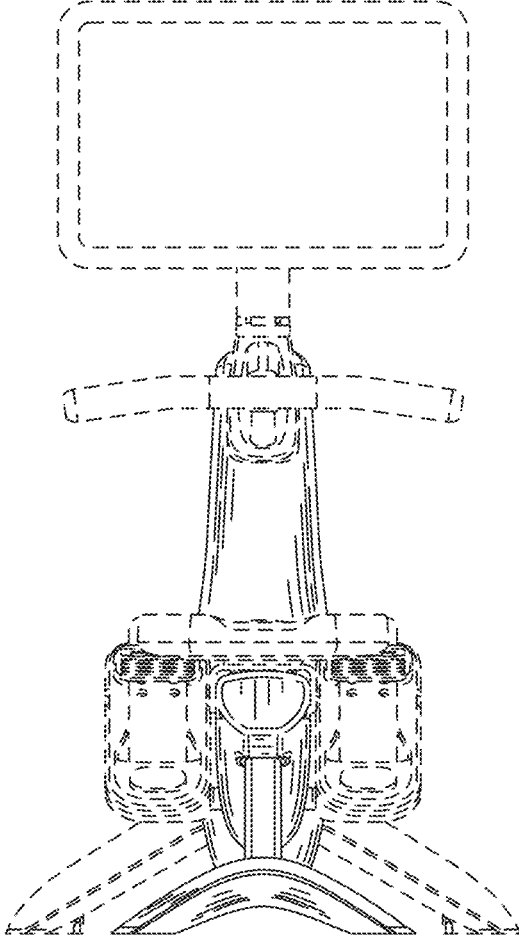


FIG. 2

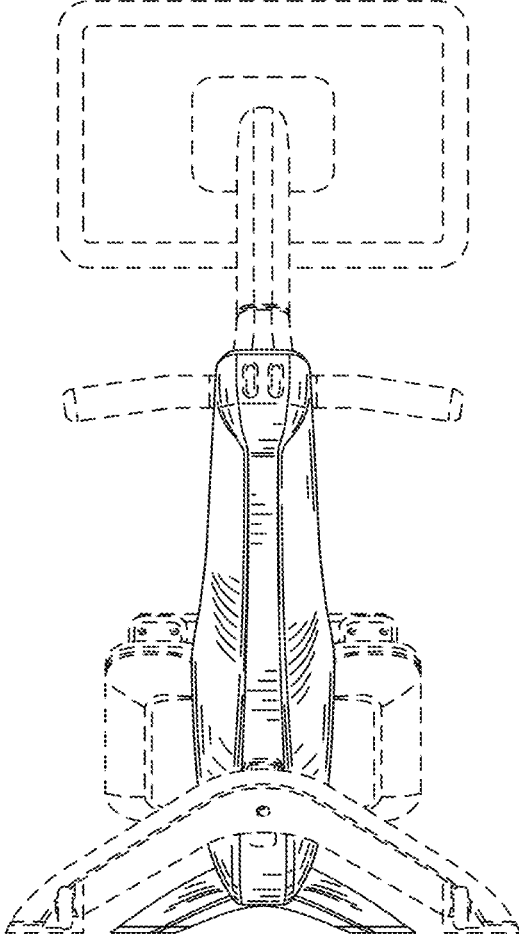


FIG. 3

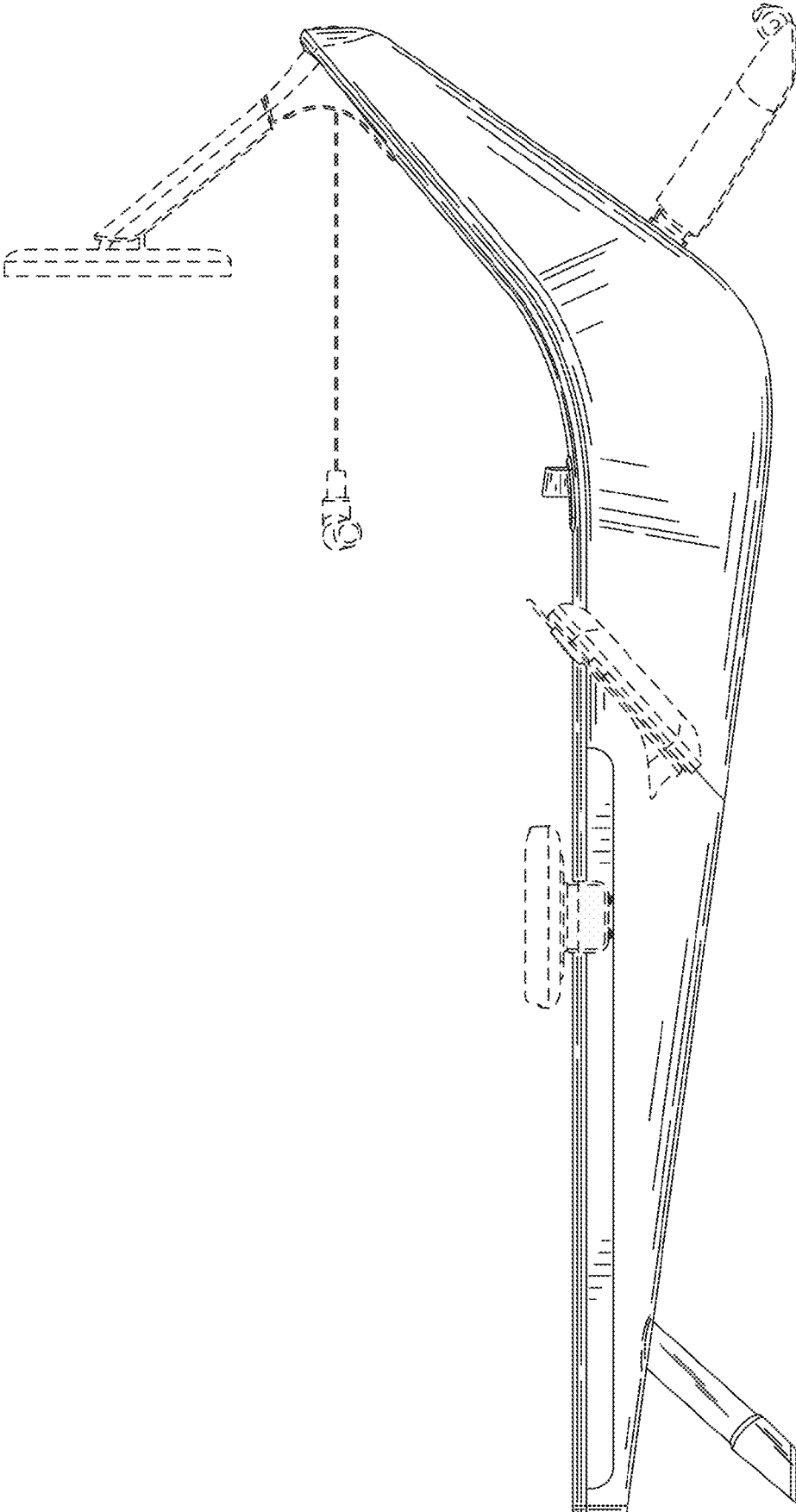


FIG. 4

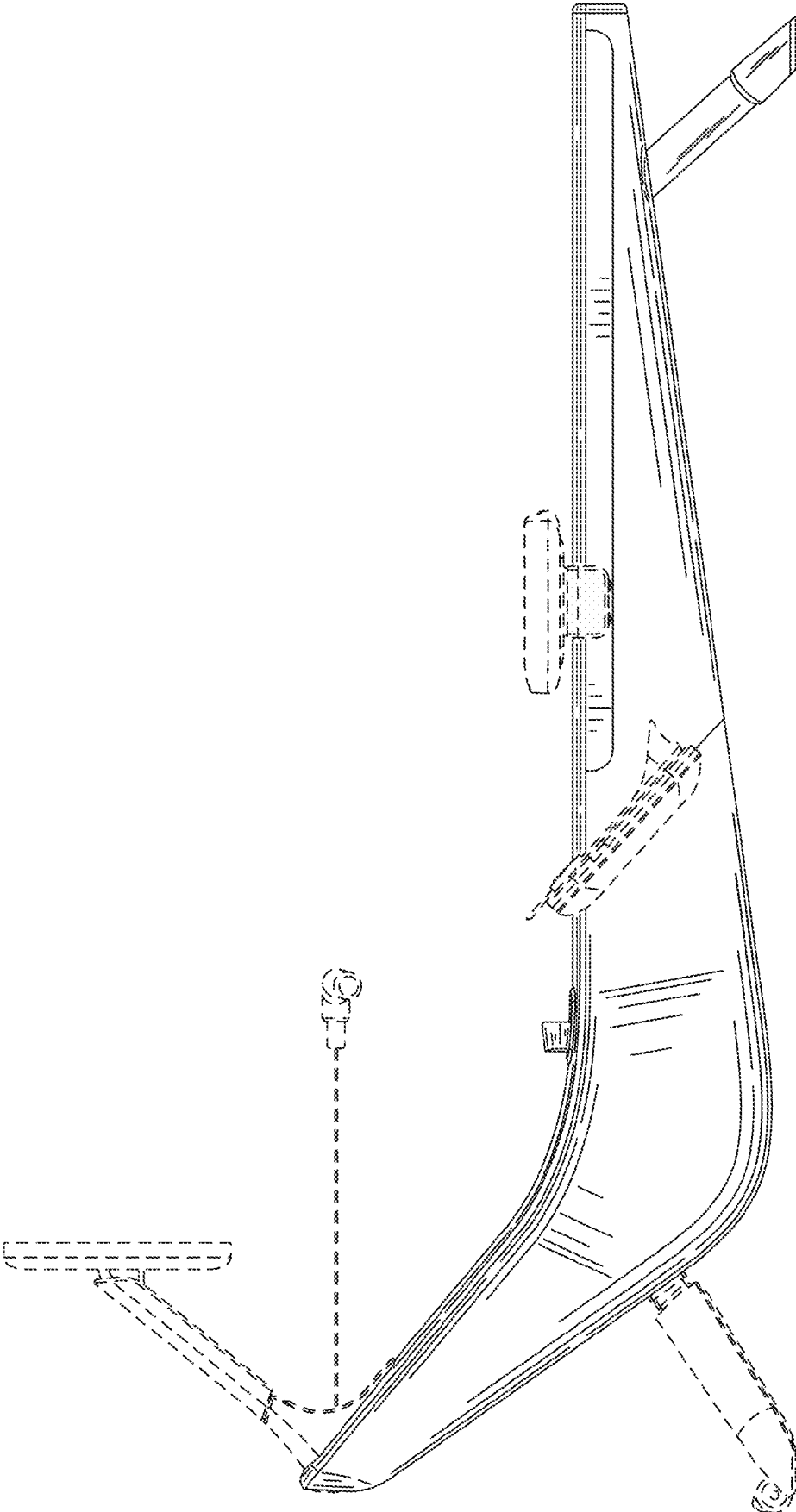


FIG. 5

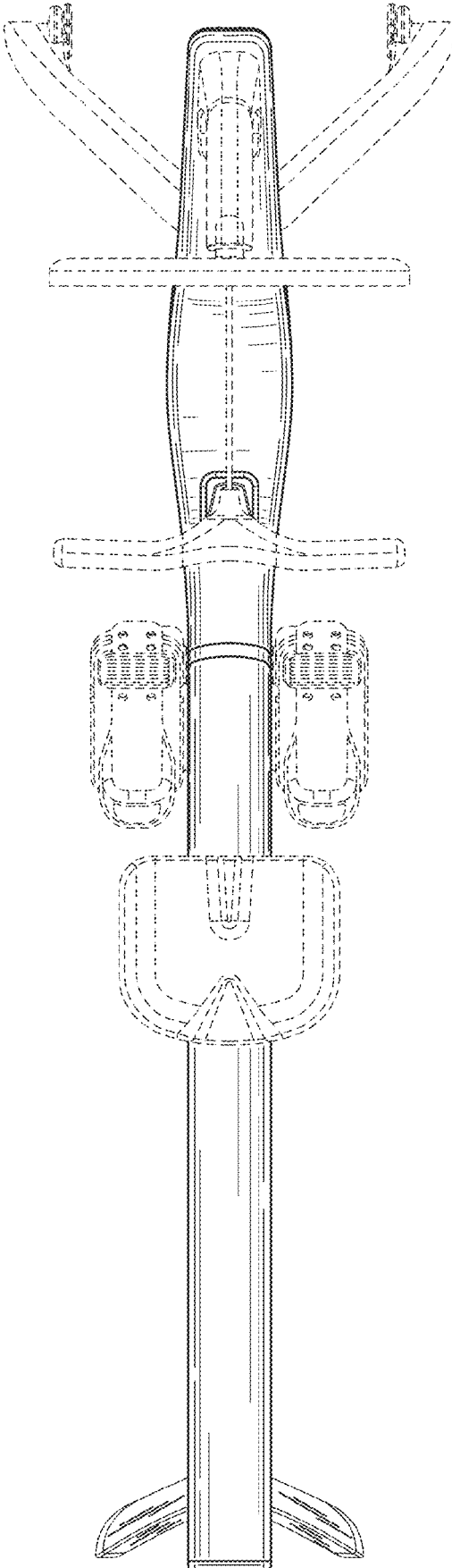


FIG. 6



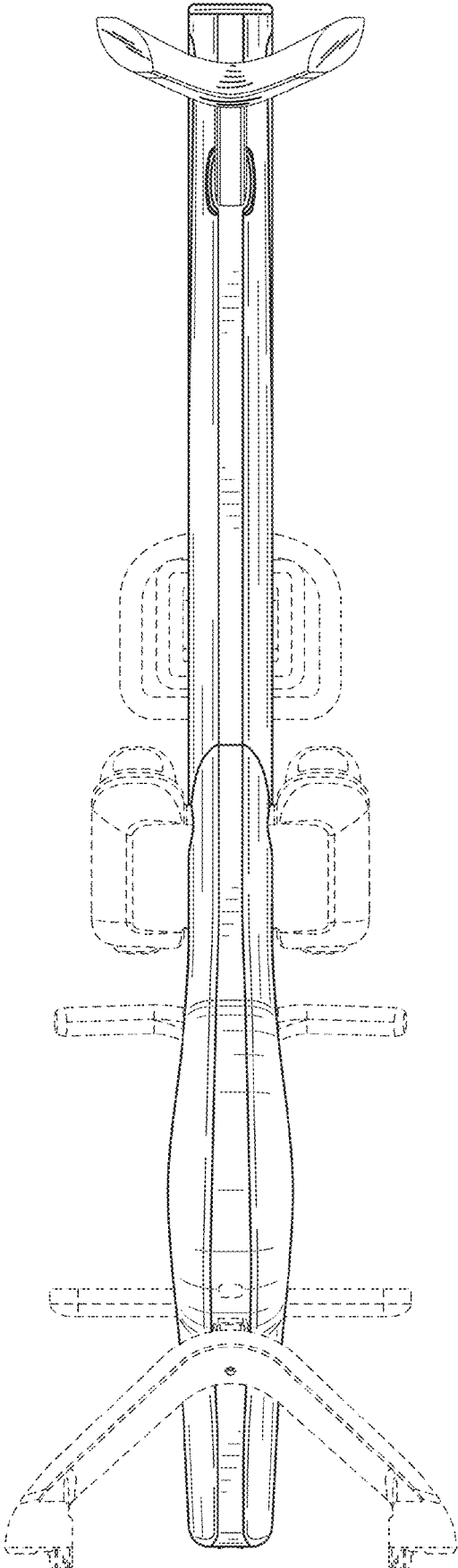


FIG. 7

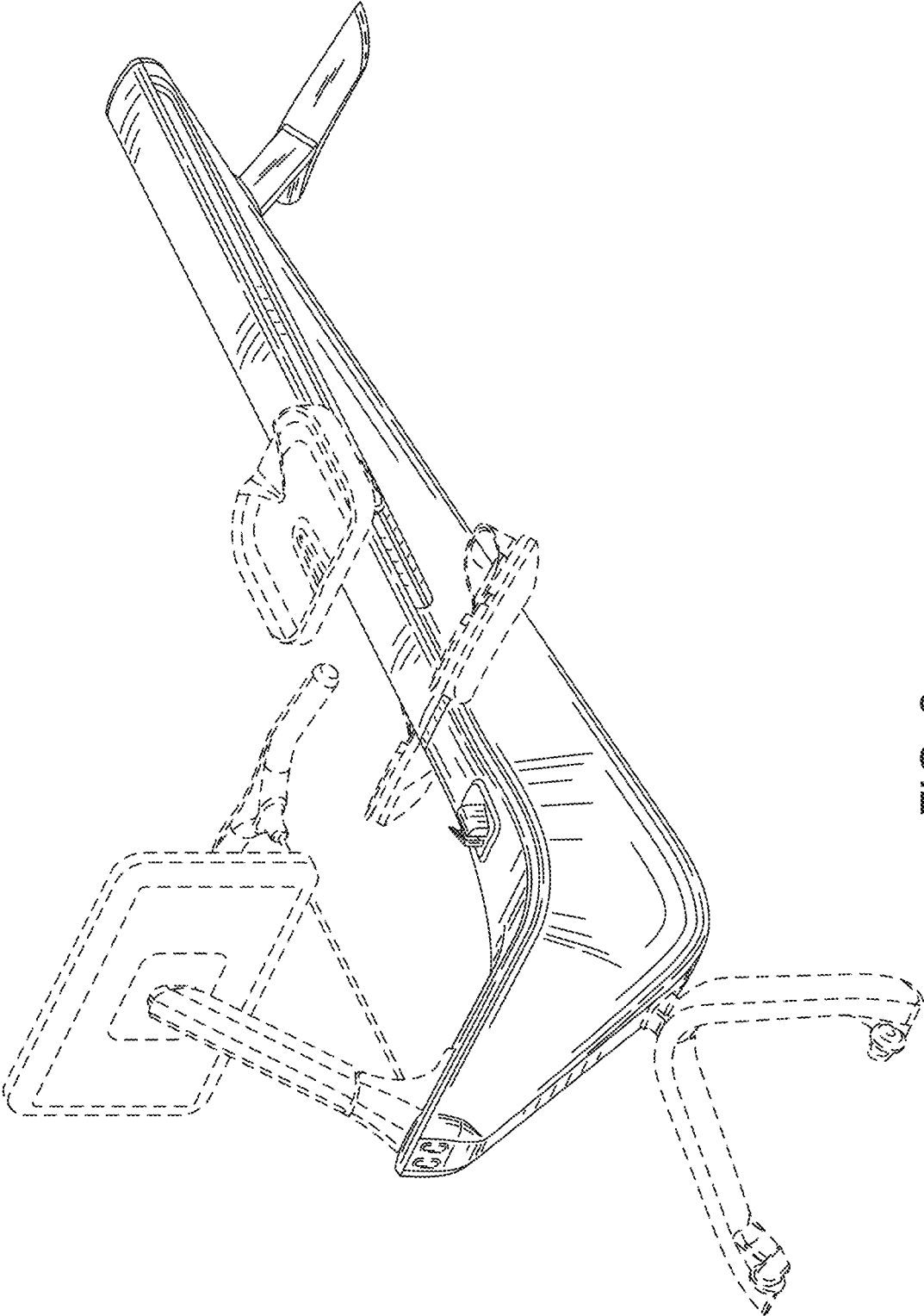


FIG. 8