



US00D996878S

(12) **United States Design Patent**
Bai

(10) **Patent No.:** **US D996,878 S**

(45) **Date of Patent:** **** Aug. 29, 2023**

(54) **HAMMOCK STAND**

(71) Applicant: **Shanxi Melon Shell Technology Co., Ltd.**, Taiyuan (CN)

(72) Inventor: **Qianfeng Bai**, Xinzhou (CN)

(**) Term: **15 Years**

(21) Appl. No.: **29/820,293**

(22) Filed: **Dec. 21, 2021**

(51) **LOC (14) Cl.** **06-06**

(52) **U.S. Cl.**
USPC **D6/718.12; D6/386**

(58) **Field of Classification Search**
USPC ... D6/386, 387, 388, 718.11, 718.12, 718.26
CPC A45F 3/24; A45F 3/22
See application file for complete search history.

(56) **References Cited**

U.S. PATENT DOCUMENTS

D32,902 S *	7/1900	Marchand	D6/386
D39,975 S *	5/1909	Hoffman	5/129
D295,242 S *	4/1988	Frick	D6/387
4,925,138 A *	5/1990	Rawlins	A45F 3/24
				5/127
5,113,538 A *	5/1992	Branch, III	A45F 3/24
				5/120
5,297,302 A *	3/1994	Anderson	A45F 3/24
				403/174
D376,275 S *	12/1996	Whittemore	D6/387
D408,166 S *	4/1999	Bayless	D6/387
6,360,383 B1 *	3/2002	Tseng	A45F 3/24
				5/120
D458,045 S *	6/2002	Tseng	D6/718.12
6,711,764 B1 *	3/2004	Mauze, Jr.	A45F 3/24
				5/120
6,931,679 B1 *	8/2005	Tseng	A61K 31/513
				5/127
D625,933 S *	10/2010	Grunewald	D6/718.12
7,996,935 B1 *	8/2011	Chen	A45F 3/24
				5/120

D682,000 S *	5/2013	Nguyen	D6/718.11
D688,062 S *	8/2013	Dao	D6/387
D809,844 S	2/2018	Huang		

(Continued)

FOREIGN PATENT DOCUMENTS

CH	690745 A5 *	1/2001	A45F 3/24
WO	WO-2017194467 A1 *	11/2017	A45F 3/24

OTHER PUBLICATIONS

“Suncreat 2-in-1 Hammock Chairwith Stand.” Found online Jan. 25, 2023 at www.amazon.com. Product reviewed Jul. 24, 2022. Retrieved from URL: https://www.amazon.com/SUNCREAT-Hammock-Capacity-Person-Pending/dp/B09YHLH9QK (Year: 2022).*
(Continued)

Primary Examiner — Mary Ann Calabrese
Assistant Examiner — Katelin G Kloberg
(74) *Attorney, Agent, or Firm* — Che-Yang Chen; Law Office of Michael Chen

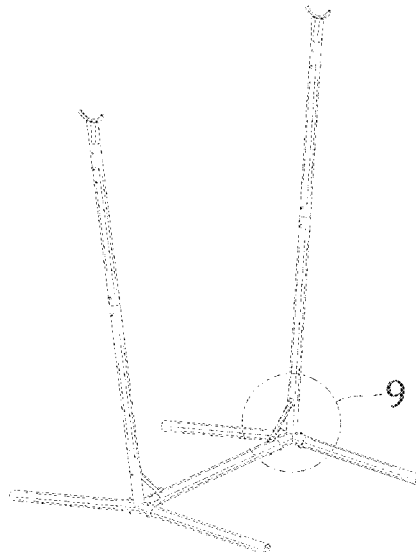
(57) **CLAIM**

The ornamental design for a hammock stand, substantially as shown and described.

DESCRIPTION

FIG. 1 is a front and left side perspective view of a hammock stand, showing my new design;
FIG. 2 is a bottom, rear perspective view thereof;
FIG. 3 is a front elevational view thereof;
FIG. 4 is a rear elevational view thereof;
FIG. 5 is a left side elevational view thereof;
FIG. 6 is a right side elevational view thereof;
FIG. 7 is a top plan view thereof;
FIG. 8 is a bottom plan view thereof; and,
FIG. 9 is an enlarged perspective view of detail 9 in FIG. 1.

1 Claim, 9 Drawing Sheets



(56)

References Cited

U.S. PATENT DOCUMENTS

D879,527	S *	3/2020	Zhang	D8/367
10,842,247	B2 *	11/2020	Wilke	A45F 3/24
D920,025	S *	5/2021	Wang	D6/718.12
D957,174	S *	7/2022	Wang	D6/718.12
2012/0233771	A1 *	9/2012	Lee	A45F 3/24
					5/127
2019/0000220	A1 *	1/2019	Lemmens	A45F 3/24
2022/0273090	A1 *	9/2022	Zhang	A45F 3/24
2022/0312945	A1 *	10/2022	Zhang	A45F 3/26

OTHER PUBLICATIONS

“Anow Double Hammock with 12ft Stand.” Found online Jan. 25, 2023 at www.amazon.com. Product first available Jun. 15, 2022. Retrieved from URL: <https://www.amazon.com/ANOW-Included-Outdoors-Multifunctional-Capacity/dp/B0B46GQQF3> (Year: 2022).*

“Hammock Chair with Stand Phone Holder.” Found online Jan. 25, 2023 at www.amazon.com. Product first available Jun. 7, 2022. Retrieved from URL: <https://www.amazon.com/Hammock-Included-Handmade-Adjustable-Capacity-2022/dp/B09R9KR1G8> (Year: 2022).*

“Portable Hammock with Stand.” Found online Jan. 25, 2023 at www.amazon.com. Product first available Apr. 24, 2019. Retrieved from URL: <https://www.amazon.com/dp/B07R4TW1BJ> (Year: 2019).*

* cited by examiner

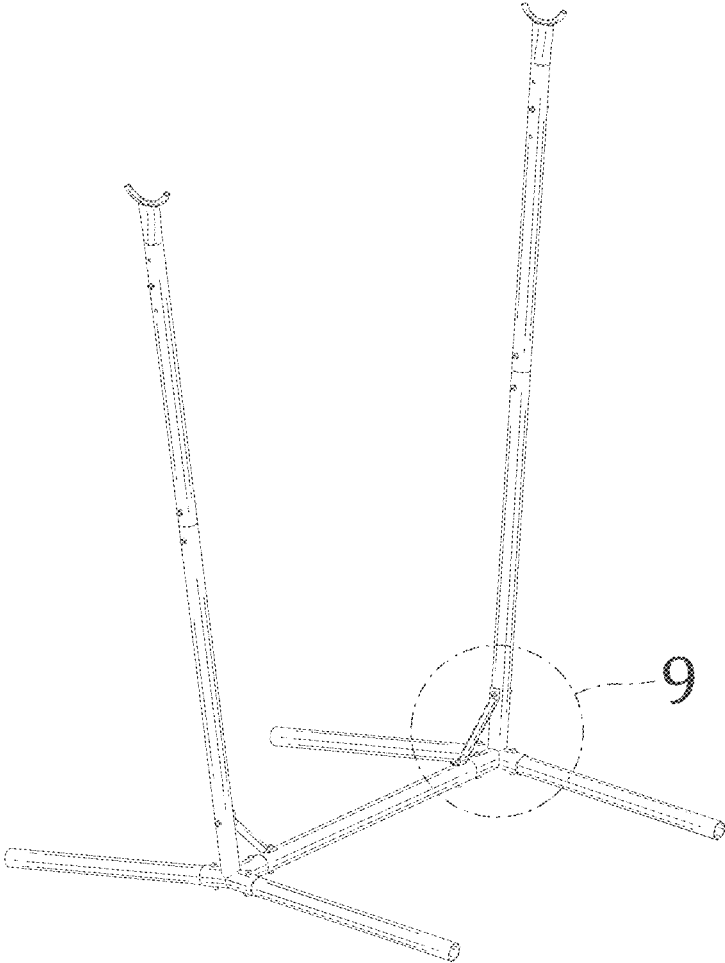


FIG. 1

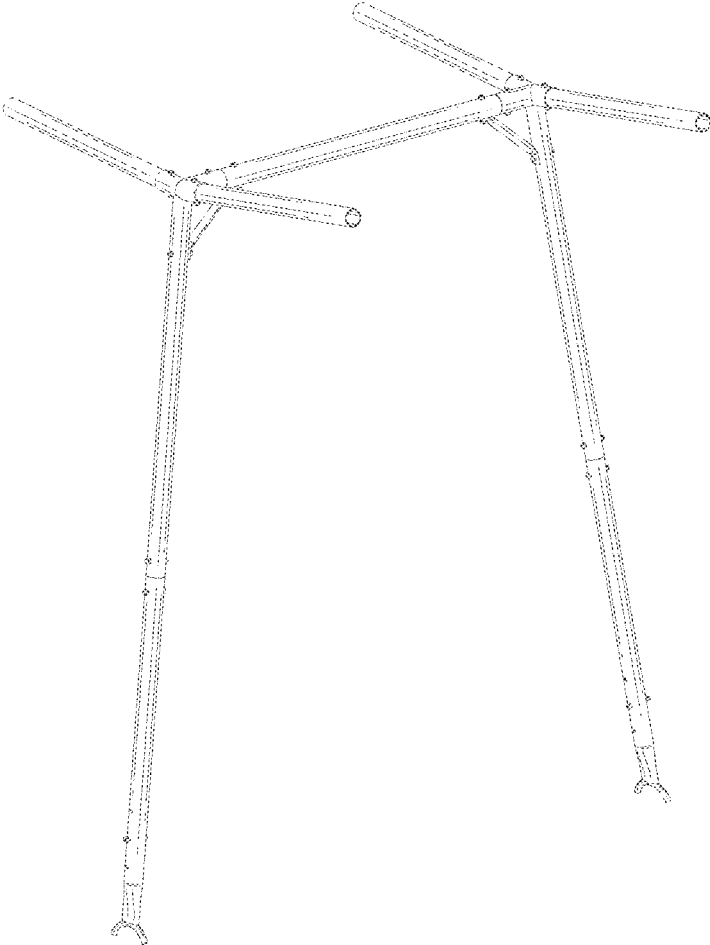


FIG. 2



FIG. 3



FIG. 4

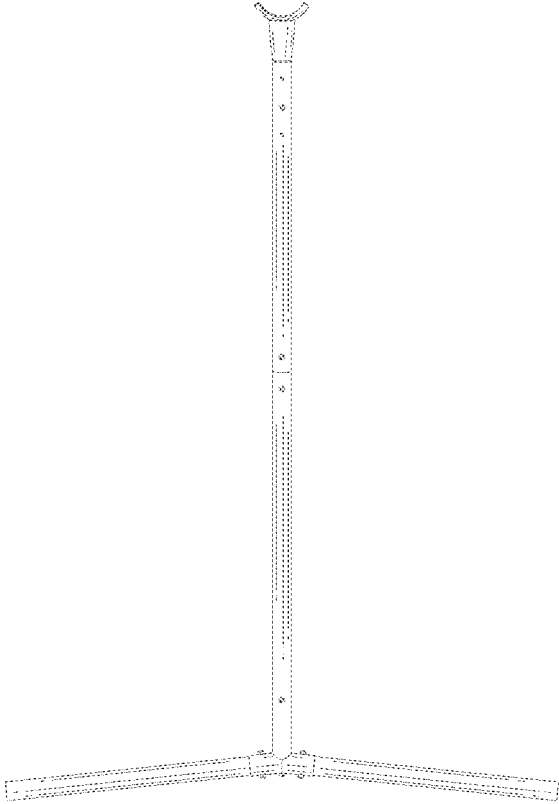


FIG. 5

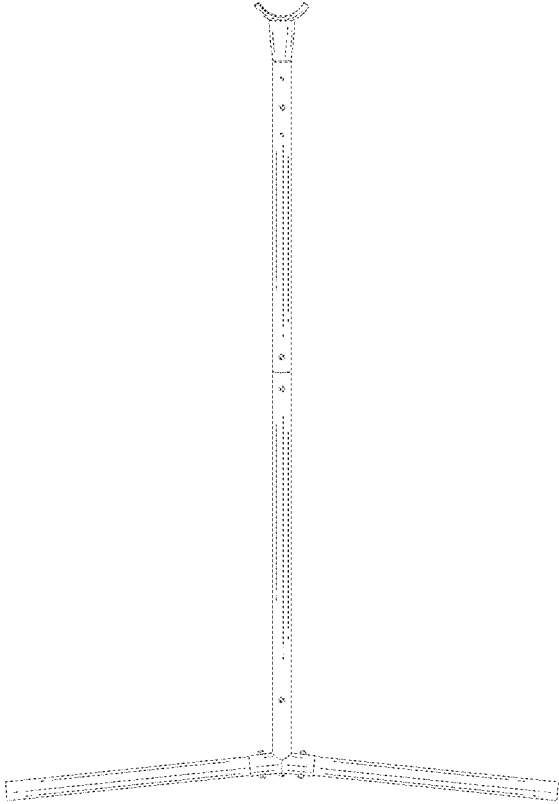


FIG. 6

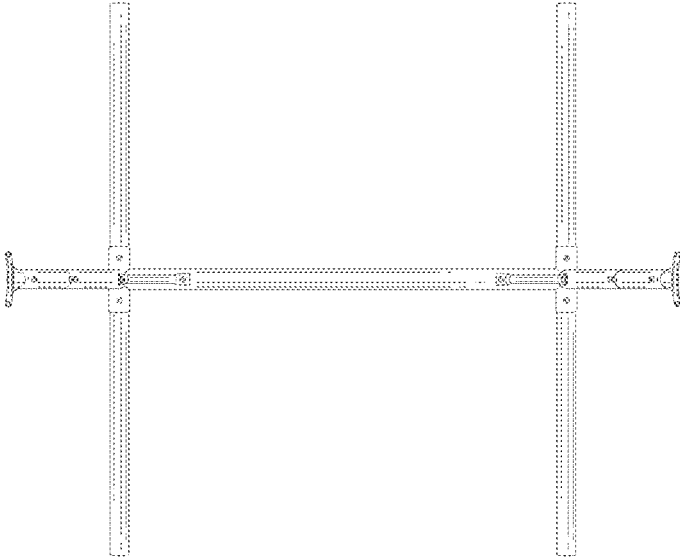


FIG. 7

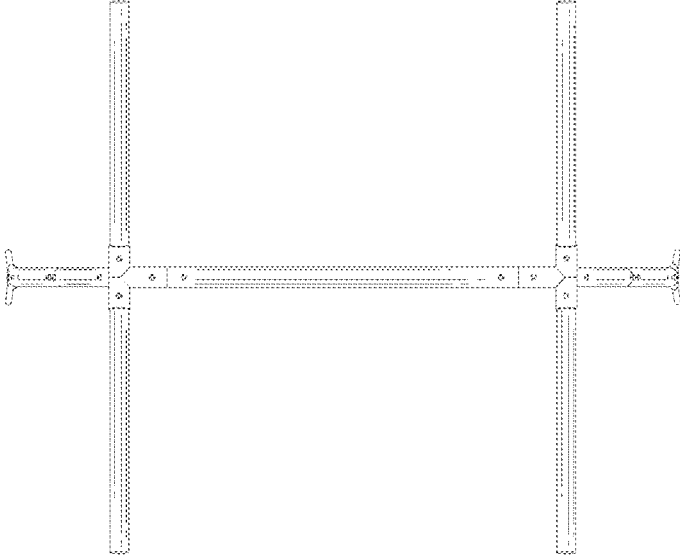


FIG. 8

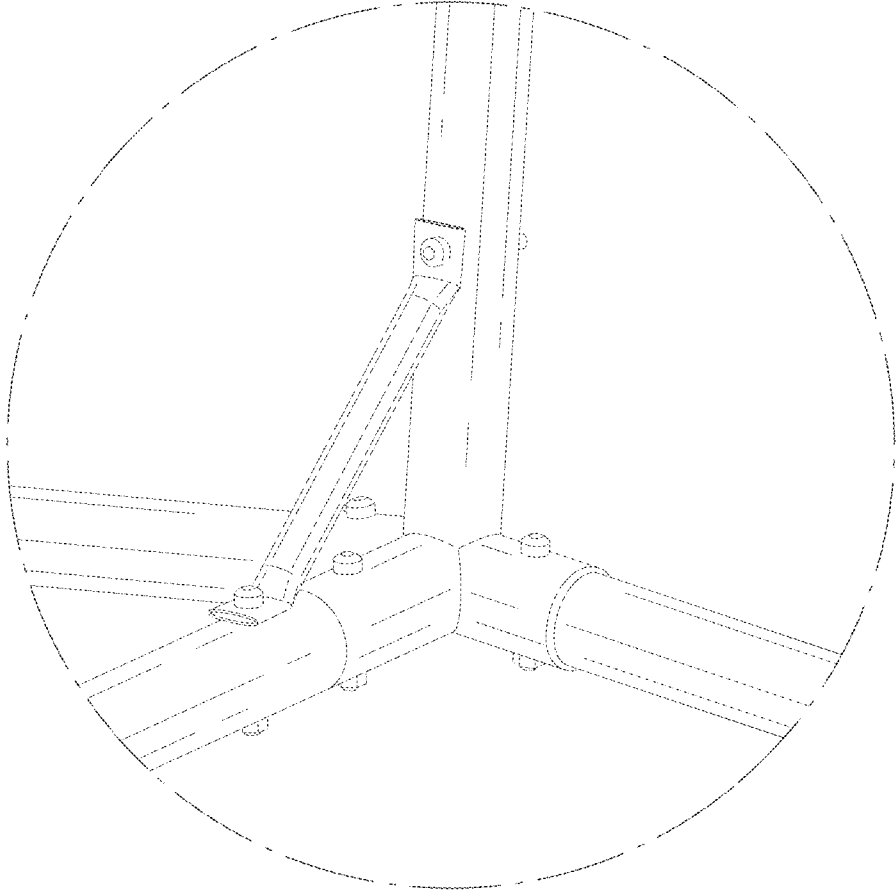


FIG. 9