



US00D861636S

(12) **United States Design Patent**
Carr

(10) **Patent No.:** **US D861,636 S**
(45) **Date of Patent:** **** Oct. 1, 2019**

- (54) **COMMUNICATIONS HEADSET OR HEADPHONE**
- (71) Applicant: **Plantronics, Inc.**, Santa Cruz, CA (US)
- (72) Inventor: **Terry M. Carr**, Santa Cruz, CA (US)
- (73) Assignee: **Plantronics, Inc.**, Santa Cruz, CA (US)
- (**) Term: **15 Years**

D403,062 S * 12/1998 Dix D24/106
 5,937,872 A * 8/1999 Wang A45D 8/36
 132/273
 5,987,647 A * 11/1999 Ouellette A41D 23/00
 132/273
 6,016,574 A * 1/2000 Chen A45D 8/36
 128/866

(Continued)

FOREIGN PATENT DOCUMENTS

JP D1479218 S 8/2013
 JP D1515251 S 12/2014

(Continued)

OTHER PUBLICATIONS

Carr, "Communications Headset or Headphone," Design U.S. Appl. No. 29/593,903, filed Feb. 14, 2017, 10 pages.

(Continued)

Primary Examiner — Paula Allen Greene

(57) **CLAIM**

The ornamental design for a communications headset or headphone, as shown and described.

DESCRIPTION

FIG. 1 is a back-right perspective view of a communications headset or headphone showing my new design; FIG. 2 is a bottom-left perspective view thereof; FIG. 3 is a front view thereof; FIG. 4 is a back view thereof; FIG. 5 is a right side view thereof; FIG. 6 is a left side view thereof; FIG. 7 is a top view thereof; and, FIG. 8 is a bottom view thereof. The broken lines showing the unclaimed features form no part of the claimed design.

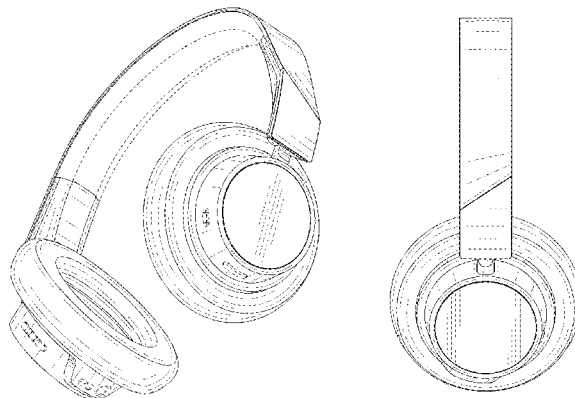
1 Claim, 8 Drawing Sheets

- (21) Appl. No.: **29/643,345**
- (22) Filed: **Apr. 6, 2018**
- (51) **LOC (12) Cl.** **14-01**
- (52) **U.S. Cl.**
USPC **D14/205**
- (58) **Field of Classification Search**
USPC D14/205, 188, 192; D29/112; 2/209, 2/171, 174; 181/129, 130, 135; 379/430, 379/431; 381/380, 381, 374; 455/90.3, 455/575.1, 569.1; D28/41; 132/275
CPC H04R 25/00; H04R 25/02; H04R 1/1066; H04R 1/1016; H04R 5/033; H04R 5/0335; A45D 8/36
See application file for complete search history.

(56) **References Cited**

U.S. PATENT DOCUMENTS

2,954,442 A * 9/1960 Mickenberg H04R 5/0335
 2/209
 3,272,926 A * 9/1966 Falkenberg H04R 1/1008
 381/370
 D292,205 S * 10/1987 Kikutani 381/378
 D353,818 S * 12/1994 Nakamura D14/205
 5,640,458 A * 6/1997 Nishiguchi G11C 7/16
 381/2
 5,697,386 A * 12/1997 Chang A45D 8/36
 132/273
 5,749,373 A * 5/1998 Dix A61F 11/12
 128/864



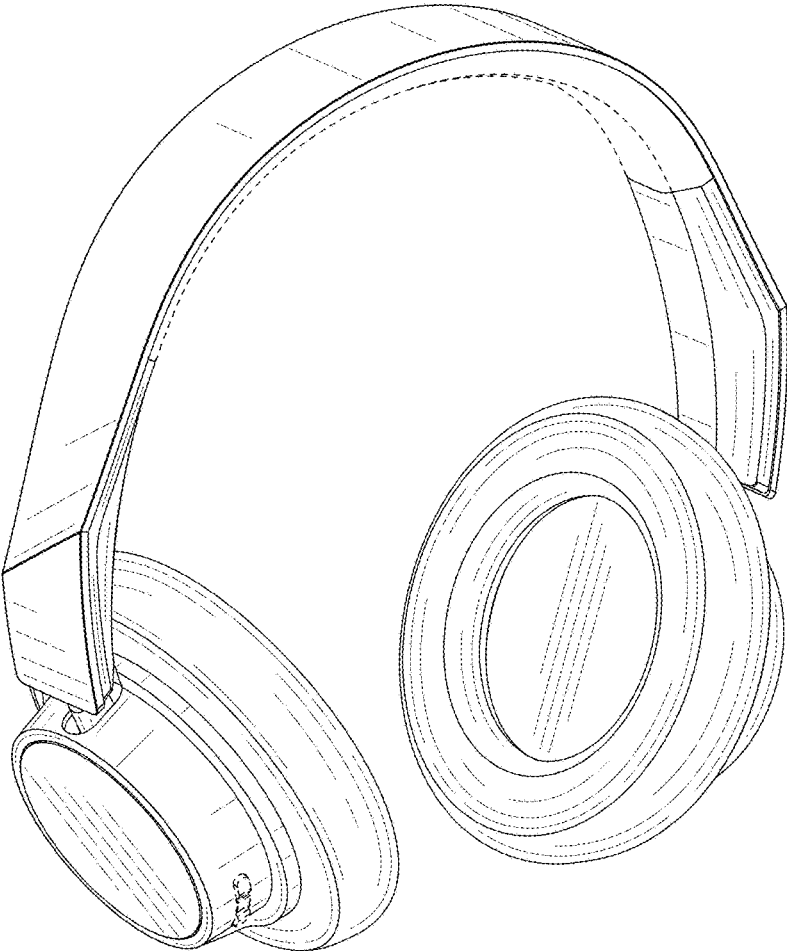


FIG. 1

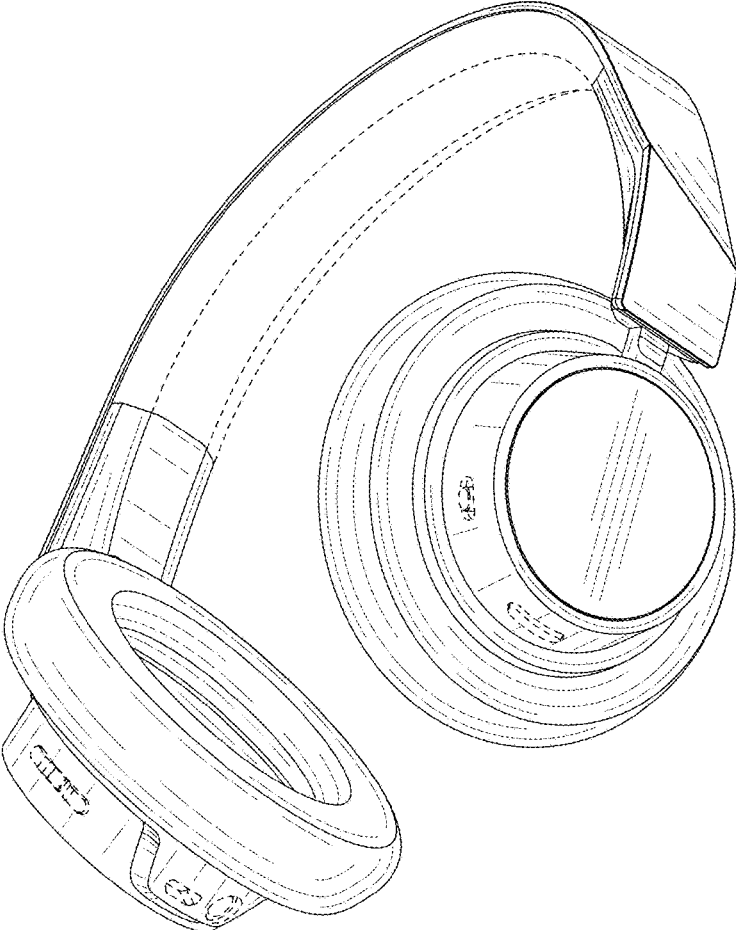


FIG. 2



FIG. 3



FIG. 4

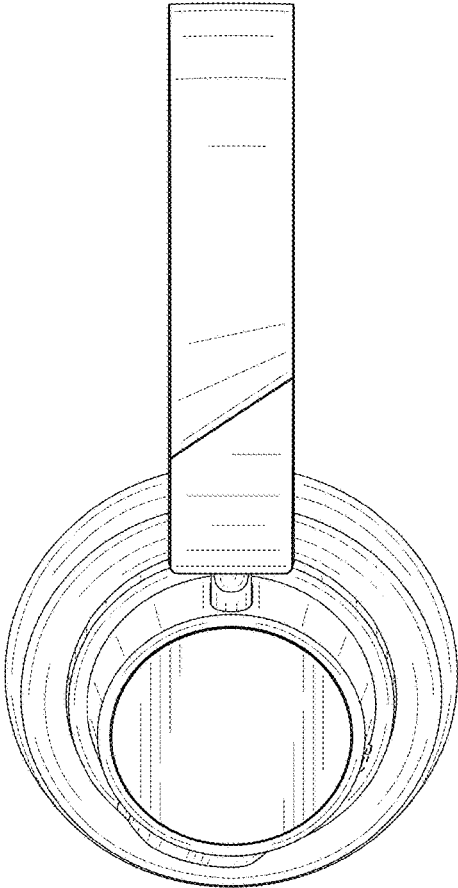


FIG. 5

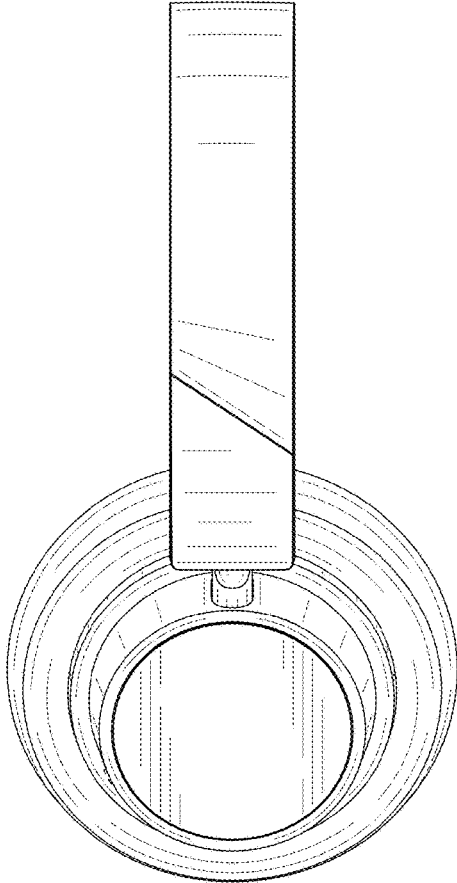


FIG. 6

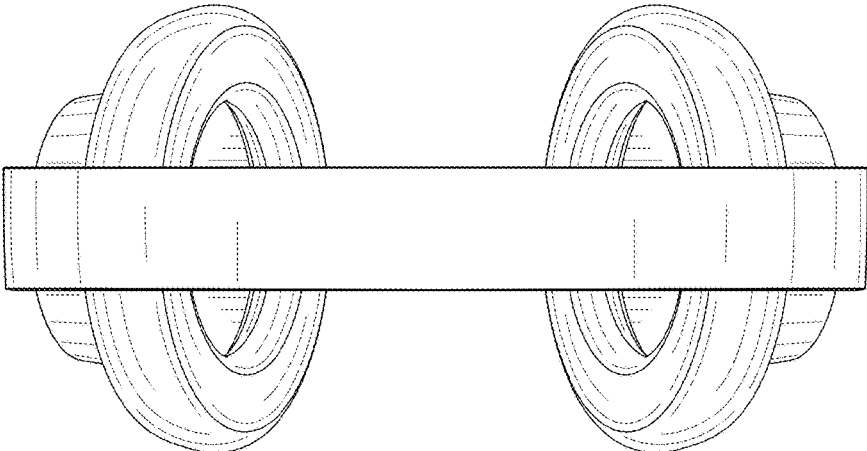


FIG. 7

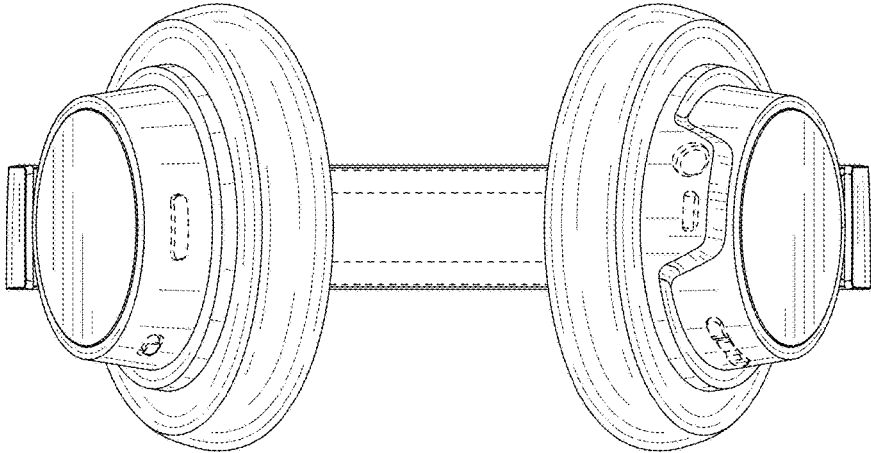


FIG. 8