



US00D628689S

(12) **United States Design Patent**
Py et al.

(10) **Patent No.:** **US D628,689 S**

(45) **Date of Patent:** **** Dec. 7, 2010**

(54) **DISPENSER**

(75) Inventors: **Daniel Py**, Stamford, CT (US); **Norbert M. Assion**, Shelton, CT (US)

(73) Assignee: **Medical Instill Technologies Inc.**, New Milford, CT (US)

(**) Term: **14 Years**

(21) Appl. No.: **29/346,863**

(22) Filed: **Nov. 6, 2009**

Related U.S. Application Data

(60) Division of application No. 29/332,347, filed on Feb. 13, 2009, which is a division of application No. 29/304,143, filed on Feb. 26, 2008, now Pat. No. Des. 586,912, which is a division of application No. 29/272,946, filed on Feb. 22, 2007, now Pat. No. Des. 575,391, which is a division of application No. 29/245,663, filed on Dec. 28, 2005, now Pat. No. Des. 540,908, which is a division of application No. 29/225,228, filed on Mar. 14, 2005, now Pat. No. Des. 518,144, which is a division of application No. 29/200,756, filed on Mar. 3, 2004, now Pat. No. Des. 518,872, which is a division of application No. 29/174,936, filed on Jan. 27, 2003, now Pat. No. Des. 504,713, which is a continuation-in-part of application No. 10/272,577, filed on Oct. 16, 2002, now Pat. No. 6,957,752.

(51) **LOC (9) Cl.** **24-02**

(52) **U.S. Cl.** **D24/112**

(58) **Field of Classification Search** D23/213;
D24/112, 114; 222/386

See application file for complete search history.

(56) **References Cited**

U.S. PATENT DOCUMENTS

2,128,035 A 8/1938 Boetel
2,695,735 A 11/1954 Van Doornik
3,412,910 A 11/1968 Hahn
3,648,903 A 3/1972 Marchant

3,669,323 A 6/1972 Harker et al.
3,963,814 A 6/1976 Cospen et al.
4,002,516 A 1/1977 Gaborieau et al.
4,102,476 A 7/1978 Loeffler
4,141,474 A 2/1979 Nilson
4,513,891 A 4/1985 Hain et al.
D288,954 S 3/1987 McDermott et al.

(Continued)

FOREIGN PATENT DOCUMENTS

EP 0649795 B1 6/1999

(Continued)

Primary Examiner—Robin V Webster

(74) *Attorney, Agent, or Firm*—McCarter & English, LLP

(57) **CLAIM**

We claim, the ornamental design for a dispenser, as shown and described.

DESCRIPTION

FIG. 1 is a side perspective view of a dispenser showing our new design;

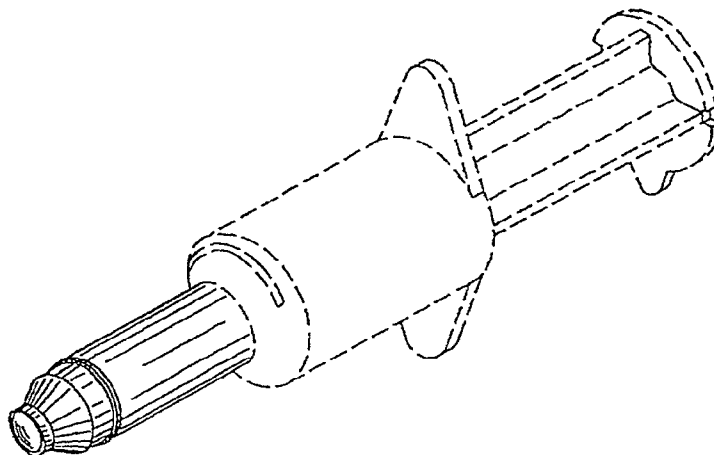
FIG. 2 is a top plan view of the dispenser;

FIG. 3 is a side view of the dispenser; and,

FIG. 4 is a bottom plan view of the dispenser.

The broken line showing of the dispenser body is included for the purpose of illustrating and forms no part of the claimed design.

1 Claim, 2 Drawing Sheets



US D628,689 S

U.S. PATENT DOCUMENTS

4,699,300 A	10/1987	Blake	5,759,218 A	6/1998	Martin et al.		
4,737,148 A	4/1988	Blake	5,799,837 A	9/1998	Firestone et al.		
4,739,906 A	4/1988	LoTurco	5,823,397 A	10/1998	Gil		
4,842,165 A	6/1989	Van Coney	5,855,302 A	1/1999	Fisscher		
4,895,279 A	1/1990	Schultz	5,899,624 A	5/1999	Thompson		
4,923,480 A	5/1990	Monestere	5,921,989 A	7/1999	Deacon et al.		
4,949,877 A	8/1990	Hanna et al.	5,934,500 A	8/1999	Cogger et al.		
4,978,036 A	12/1990	Burd	6,050,444 A	4/2000	Sugg		
5,033,647 A	7/1991	Smith et al.	6,053,370 A	4/2000	Ludbrook et al.		
5,083,416 A	1/1992	Schneider et al.	6,062,437 A	5/2000	Mascitelli		
5,108,007 A	4/1992	Smith et al.	6,083,450 A	7/2000	Safian		
5,178,300 A	1/1993	Haviv et al.	6,145,707 A	11/2000	Baudin		
5,197,638 A	3/1993	Wood	6,170,705 B1	1/2001	Schneider et al.		
5,226,568 A	7/1993	Newton et al.	6,202,901 B1	3/2001	Gerber et al.		
5,257,726 A	11/1993	Graf et al.	D442,670 S *	5/2001	Maddox et al.	D23/213	
5,318,204 A	6/1994	Davis et al.	6,254,579 B1	7/2001	Cogger et al.		
5,320,256 A	6/1994	Wood	6,267,768 B1	7/2001	Deacon et al.		
5,320,845 A	6/1994	Py	6,283,976 B1	9/2001	Portney		
5,332,121 A	7/1994	Schmidt et al.	6,301,767 B1	10/2001	Granger et al.		
5,339,972 A	8/1994	Crosnier et al.	6,306,423 B1	10/2001	Donovan et al.		
5,416,303 A	5/1995	Grooms et al.	D451,196 S	11/2001	Block et al.		
5,489,026 A	2/1996	D'Aloia	6,312,708 B1	11/2001	Donovan		
5,489,027 A	2/1996	Goerigk	6,325,253 B1	12/2001	Robinson		
5,497,910 A	3/1996	Meadows et al.	6,338,200 B1	1/2002	Baxa et al.		
D372,070 S	7/1996	Zak et al.	6,351,924 B1	3/2002	Gustafsson et al.		
5,556,678 A	9/1996	Jupin et al.	6,383,509 B1	5/2002	Donovan et al.		
5,564,596 A	10/1996	Meadows et al.	6,386,395 B1	5/2002	Lunghetti		
5,582,330 A	12/1996	Iba	6,428,545 B2	8/2002	Portney		
5,609,273 A	3/1997	Firestone et al.	6,446,844 B1	9/2002	Gross		
5,664,704 A	9/1997	Meadows et al.	6,450,994 B1	9/2002	Boyles et al.		
5,692,651 A	12/1997	Fuchs	6,547,101 B1	4/2003	Sogaro		
5,718,334 A	2/1998	Demel					
5,727,892 A	3/1998	Baudin					
5,730,322 A	3/1998	Iba et al.					
5,743,441 A	4/1998	Baudin et al.					

FOREIGN PATENT DOCUMENTS

EP 0673852 B1 2/2000

* cited by examiner

FIG. 1

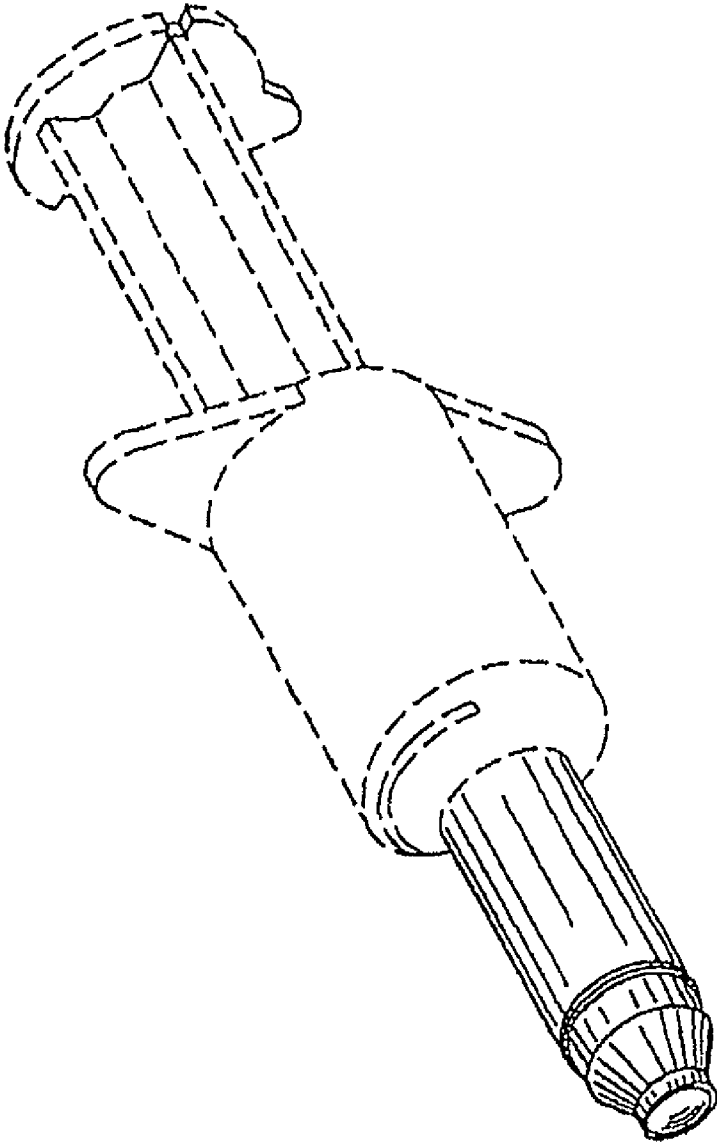


FIG. 4

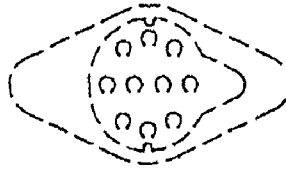


FIG. 3

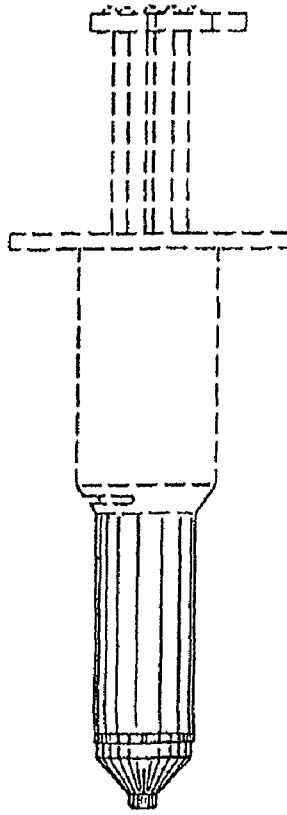


FIG. 2

