



US00D661085S

(12) **United States Design Patent**
Custer

(10) **Patent No.:** **US D661,085 S**

(45) **Date of Patent:** **** Jun. 5, 2012**

(54) **BACKPACK**

(76) Inventor: **Dan Custer**, Germantown, TN (US)

(**) Term: **14 Years**

(21) Appl. No.: **29/369,878**

(22) Filed: **Sep. 14, 2010**

(51) **LOC (9) Cl.** **03-01**

(52) **U.S. Cl.** **D3/217**

(58) **Field of Classification Search** D3/214,
D3/215, 216, 217, 270; D2/830; 224/153,
224/576, 577, 578

See application file for complete search history.

(56) **References Cited**

U.S. PATENT DOCUMENTS

2,247,320	A	6/1941	Stanley	
2,960,137	A	* 11/1960	Lipsitz	206/316.2
4,449,655	A	* 5/1984	Germe	224/153
4,513,866	A	* 4/1985	Thomas	206/570
D284,620	S	* 7/1986	Calton	D7/605
4,609,084	A	* 9/1986	Thomas	190/110
4,767,039	A	* 8/1988	Jacober	224/153
D302,211	S	* 7/1989	Sears	D3/283
D323,237	S	* 1/1992	Zoltie	D2/831
D323,426	S	* 1/1992	Mahvi et al.	D3/214
5,165,111	A	* 11/1992	Lieberman	2/94
5,222,642	A	* 6/1993	Solarz	224/191
D354,849	S	* 1/1995	Herman et al.	D3/216
5,377,887	A	* 1/1995	Garcia	224/153
D360,182	S	* 7/1995	Lovett	D12/409
5,456,353	A	* 10/1995	Challoner et al.	206/292
D375,402	S	* 11/1996	Yeh	D3/217
5,706,992	A	* 1/1998	Moor	224/657
D407,214	S	* 3/1999	Chapman	D3/217
D408,133	S	* 4/1999	Francis et al.	D3/214
D412,787	S	* 8/1999	Young	D3/283
5,964,384	A	* 10/1999	Young	224/153
6,129,254	A	* 10/2000	Yu	224/575
6,134,712	A	* 10/2000	Spector	2/94
6,152,338	A	* 11/2000	Smith	224/149

6,161,738	A	* 12/2000	Norris	224/153
6,164,509	A	* 12/2000	Gausling et al.	224/627
D443,758	S	* 6/2001	Stylianou	D3/216
D446,009	S	* 8/2001	Mandell	D3/217
6,336,577	B1	* 1/2002	Harris et al.	224/153
D472,371	S	* 4/2003	Pomare	D3/216
6,595,334	B1	* 7/2003	Saetia	190/18 A
D511,620	S	* 11/2005	Van Himbeek	D3/217
6,994,193	B2	* 2/2006	Saetia	190/18 A
D516,306	S	* 3/2006	Koenig et al.	
D534,353	S	* 1/2007	Hsieh	
D554,862	S	* 11/2007	Hsieh	
D582,673	S	* 12/2008	Mangano	
D590,154	S	* 4/2009	Hopwood et al.	

(Continued)

FOREIGN PATENT DOCUMENTS

WO PCT/US11/21922 1/2011

(Continued)

OTHER PUBLICATIONS

U.S. Appl. No. 61/386,549, Custer, Can.

Primary Examiner — T. Chase Nelson

(74) *Attorney, Agent, or Firm* — Julie R. Baldrige; Baker Donelson Bearman Caldwell & Berkowitz

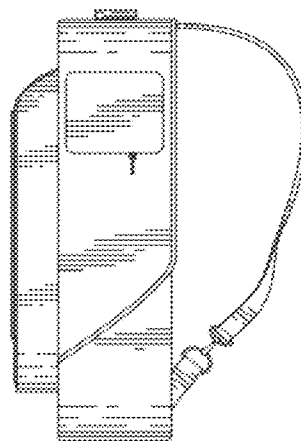
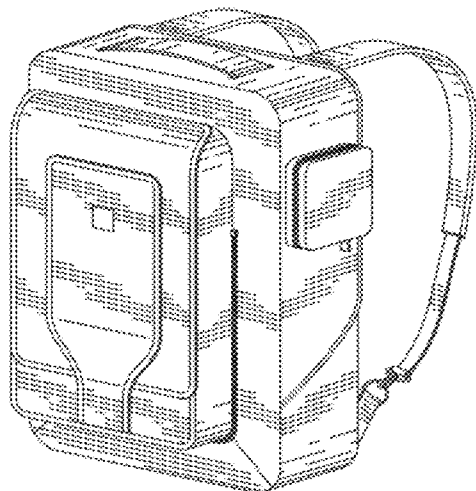
(57) **CLAIM**

I claim the ornamental design for a backpack, as shown.

DESCRIPTION

FIG. 1 is a perspective view of one embodiment of a backpack showing my new design;
FIG. 2 is a front elevation view thereof;
FIG. 3 is a rear elevation view thereof;
FIG. 4 is a right elevation view thereof;
FIG. 5 is a left elevation view thereof;
FIG. 6 is a top view thereof; and,
FIG. 7 is a bottom view thereof.

1 Claim, 2 Drawing Sheets



US D661,085 S

Page 2

U.S. PATENT DOCUMENTS

D597,309 S 8/2009 Jongchul
D601,340 S 10/2009 Shaw
D601,342 S 10/2009 Choi
D605,849 S * 12/2009 Mori D3/217
D638,623 S * 5/2011 Chen D3/204
D640,051 S 6/2011 Custer
D640,054 S 6/2011 Custer
8,028,879 B2 * 10/2011 Amishay 224/578
2003/0015559 A1 * 1/2003 Oh 224/153
2003/0205593 A1 * 11/2003 Lavelle 224/153
2004/0094583 A1 * 5/2004 Bernbaum et al. 224/153
2006/0163303 A1 * 7/2006 Trutanich 224/576
2007/0164063 A1 * 7/2007 Concepcion 224/153

2008/0116026 A1 * 5/2008 Bass et al. 190/1
2008/0135365 A1 6/2008 Han
2008/0169325 A1 * 7/2008 Amishay 224/579
2009/0139814 A1 6/2009 Grossman et al.
2009/0201671 A1 * 8/2009 Huntley 362/108
2010/0072235 A1 * 3/2010 Barton et al. 224/153
2010/0101971 A1 4/2010 Chisholm
2010/0219221 A1 * 9/2010 Zheng 224/576
2010/0282790 A1 * 11/2010 Peters et al. 224/153

FOREIGN PATENT DOCUMENTS

WO PCT/US11/28287 3/2011

* cited by examiner

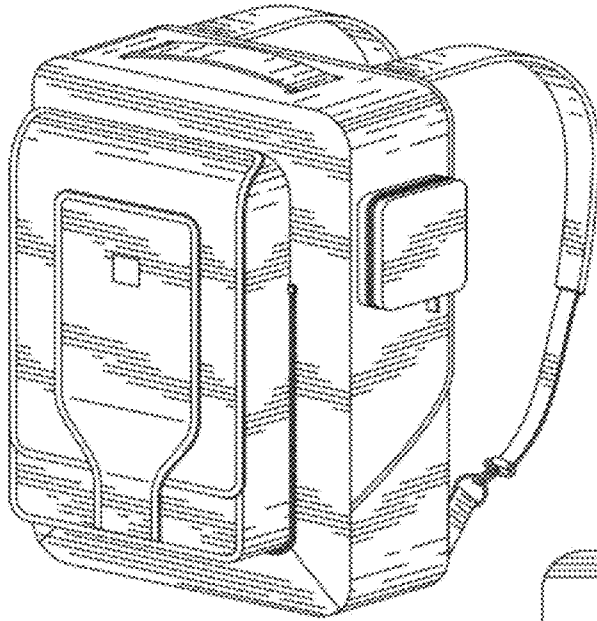


FIG. 1

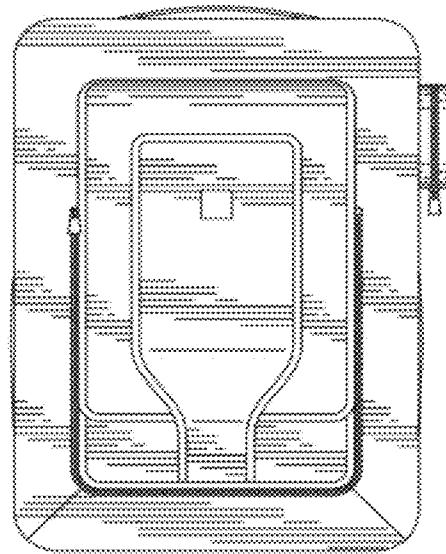


FIG. 2

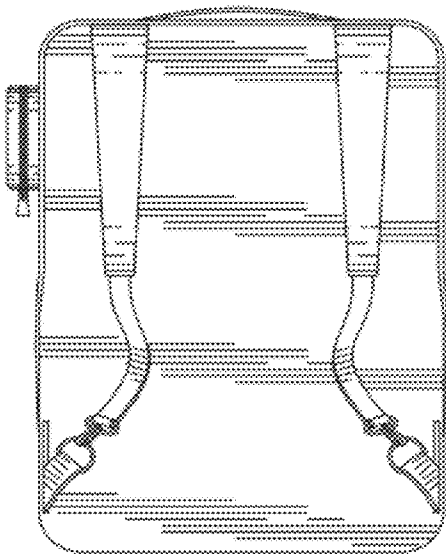


FIG. 3

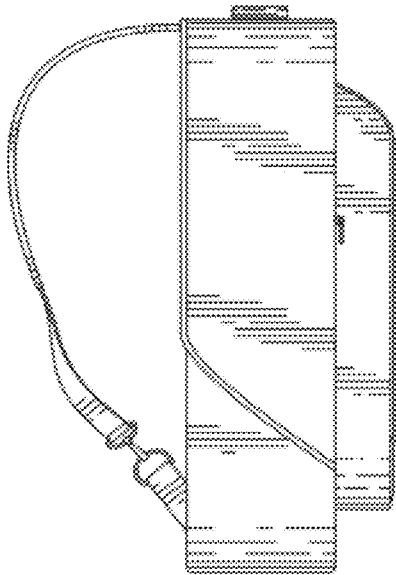


FIG. 4

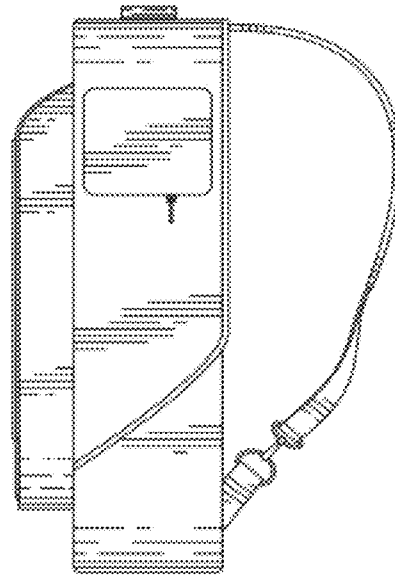


FIG. 5

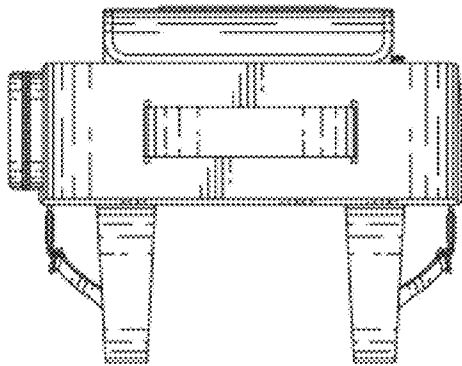


FIG. 6

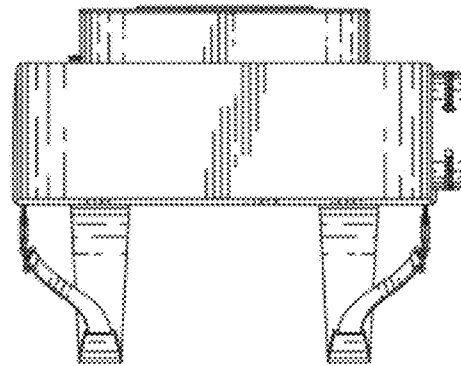


FIG. 7